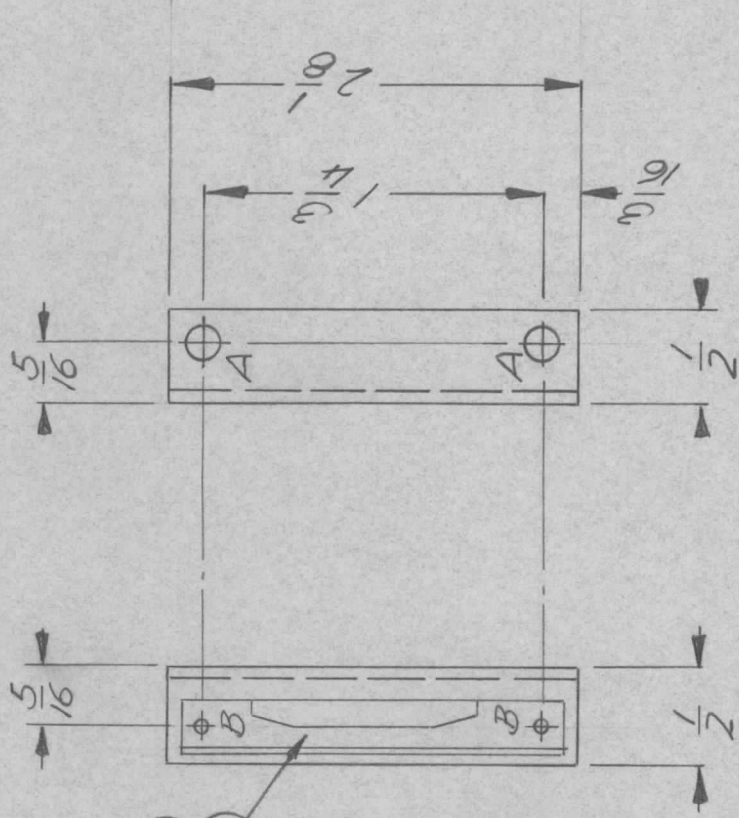


APPLICATION			REVISIONS						
QTY	MODEL USED ON	ASSY NO.	LTR	DESCRIPTION	DATE	E.M.N.NO	DRAFT	CHKD	APPD
1	MFTRIKES5	AX5157	Ø	ORIG RELEASE FOR PROD	1/13/72		CV		



A HOLES 11/64 DIA. 2 REQ.
B HOLES .067 DIA. 2 REQ.

REQ'D	ITEM	PART NUMBER	DESCRIPTION	SYM.
2	2	EY 100-1	EYELET	B
1	1	CU157-2	RETAINER	

LIST OF MATERIAL

THE TECHNICAL MATERIEL CORP.
MAMARONECK, NEW YORK

BRACKET CLIP MTG. LEFT

UNLESS OTHERWISE SPECIFIED
DIMENSIONS ARE IN INCHES
AND INCLUDE CHEMICALLY APPLIED
OR PLATED FINISHES

DECIMALS
X ± .05 TOLS. 1/64
.XX ± .01 ANGLES
.XXX ± .005 0° - 30°

MATERIAL .064 ALUM
5052 H-32

FINISH S404
YEL. IRIDITE

FINAL APPROVAL	DATE
<i>ALP</i>	12/17/72
MECH. DES.	DATE
ALP	1-3-72
ELECT. DES.	DATE
CHECKED	DATE
DRAWN	DATE
GE	12/17/72

NOTICE TO PERSONS RECEIVING THIS DRAWING

THE TECHNICAL MATERIEL CORPORATION claims proprietary right in the material disclosed hereon. This drawing is issued in confidence for engineering information only and may not be reproduced or used to manufacture anything shown hereon without permission from THE TECHNICAL MATERIEL CORPORATION to the user. This drawing is loaned for mutual assistance and is subject to recall at any time.

SIZE	CODE IDENT. NO.	DWG NO.	ISSUE
A	82679	MS6320	Ø
SCALE	1:1	SHEET	OF