

## APPLICATION

QTY 1  
 MODEL USED ON MFTR10KES  
 ASS'Y NO. AX5157

LTR 0

## REVISIONS

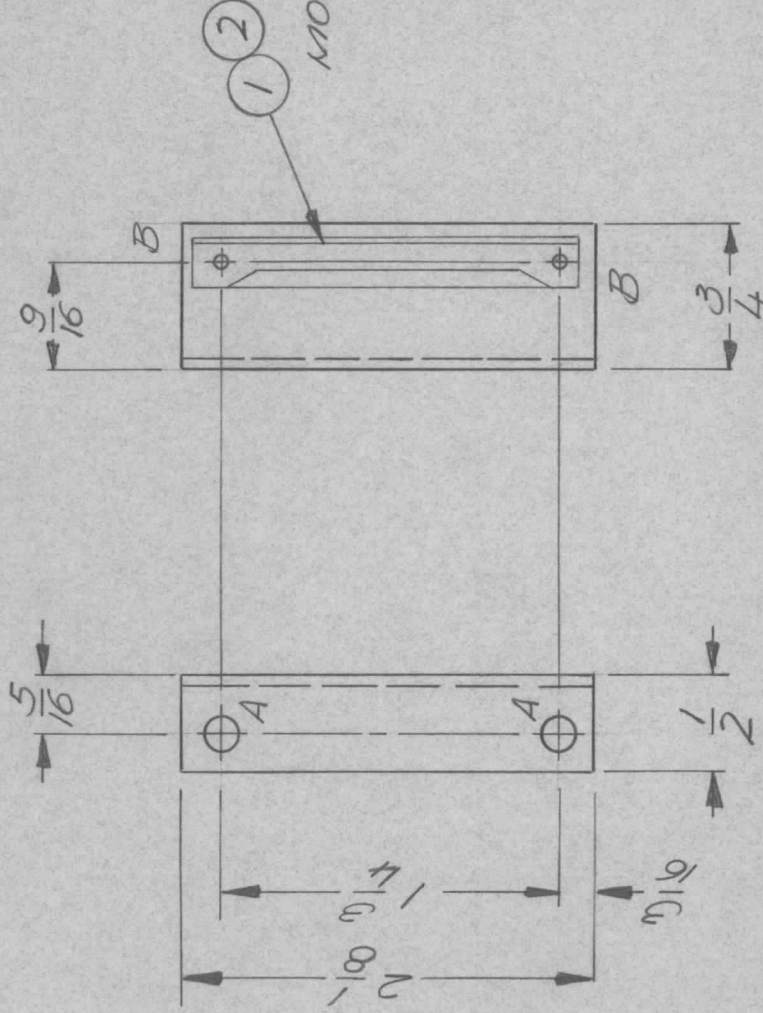
DESCRIPTION  
 ORIG RELEASE FOR PROD

DATE  
 1/13/70

E.M.N.NO

DRAFT  
 CV

CHKD  
 APPD



A HOLES -  $1/64$  DIA. - 2 REQ.

B HOLES -  $.067$  DIA. - 2 REQ.

QTY	MODEL USED ON	ASS'Y NO.	LTR	DESCRIPTION	DATE	E.M.N.NO	DRAFT	CHKD	APPD
2	EY100	EYELET							
1	CU157-2	RETAINER							
REQ'D ITEM	PART NUMBER	DESCRIPTION	SYM.	LIST OF MATERIAL					
S.D.				THE TECHNICAL MATERIEL CORP. MAMARONECK, NEW YORK					
FINAL APPROVAL	DATE	MATERIAL: 064 ALUM 5052 H 32							
MECH. DES.	DATE	FINISH S404 YEL. IRIDITE							
ELECT. DES.	DATE	BRACKET CLIP MTG. RIGHT							
CHECKED	DATE	SIZE A							
DRAWN	DATE	CODE IDENT. NO. 82679							
NOTICE TO PERSONS RECEIVING THIS DRAWING		DWG NO.		SCALE		SHEET		OF	
THE TECHNICAL MATERIEL CORPORATION claims proprietary right in the material disclosed hereon. This drawing is issued in confidence for engineering information only and may not be reproduced or used to manufacture anything shown hereon without permission from THE TECHNICAL MATERIEL CORPORATION to the user. This drawing is loaned for mutual assistance and is subject to recall at any time.		MAMARONECK, NEW YORK		1/1		MAS 6319		ISSUE	
		MAMARONECK, NEW YORK		1/1		MAS 6319		ISSUE	
		MAMARONECK, NEW YORK		1/1		MAS 6319		ISSUE	