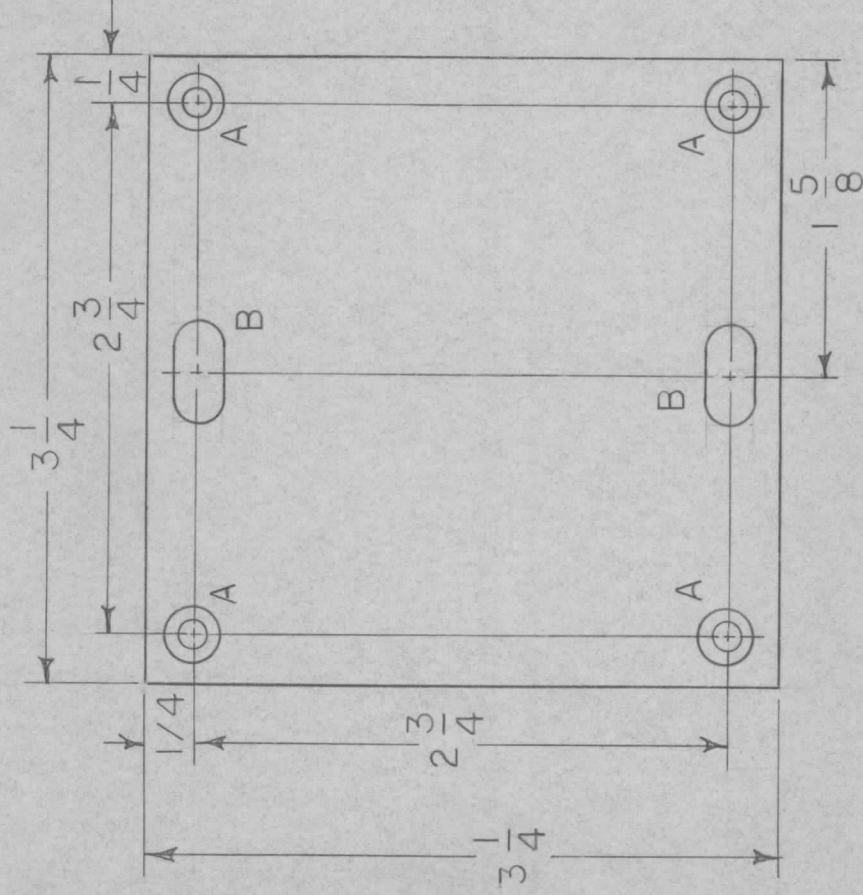


APPLICATION

REVISIONS

QTY	MODEL USED ON	ASSY NO.	LTR	DESCRIPTION	DATE	E.M.N.NO	DRAFT	CHKD	APPD
-1	MFTR-IOKE-5	BMA484	Ø	ORIG RELEASE FOR PROD	3/6/70		RF		
1	MAT-5	BMA-474							



HOLE	DESCRIPTION	REQD
A	Ø632 C'SINK	4
B	1/4 X 1" LG. SLOT	2

UNLESS OTHERWISE SPECIFIED DIMENSIONS ARE IN INCHES AND INCLUDE CHEMICALLY APPLIED OR PLATED FINISHES

DECIMALS
 .X ± .05
 .XX ± .01
 .XXX ± .005

FRACTIONS
 1/64
 ANGLES
 0°-30'

MATERIAL 1/8 THK
 ALUM 5052 H32

FINISH
 S404 IRIDITE

REQ'D	ITEM	PART NUMBER	DESCRIPTION	SYM.
LIST OF MATERIAL				
THE TECHNICAL MATERIEL CORP. MAMARONECK, NEW YORK				
MOTOR MTG. PLATE				
SIZE	CODE IDENT. NO.	DWG NO.	ISSUE	
A	82679	MS 6273	Ø	
SCALE	1 / 1	SHEET	OF	

DATE 3/10/70
 DATE 10/6/71
 DATE
 DATE
 DATE 9-21-71

NOTICE TO PERSONS RECEIVING THIS DRAWING
 THE TECHNICAL MATERIEL CORPORATION claims proprietary right in the material disclosed hereon. This drawing is issued in confidence for engineering information only and may not be reproduced or used to manufacture anything shown hereon without permission from THE TECHNICAL MATERIEL CORPORATION to the user. This drawing is loaned for mutual assistance and is subject to recall at any time.