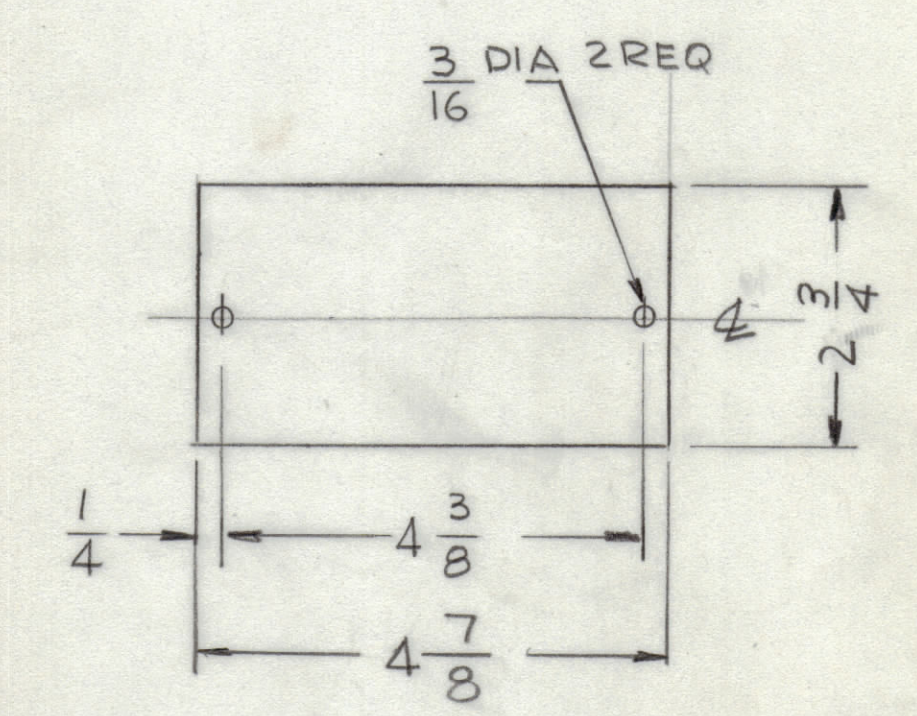
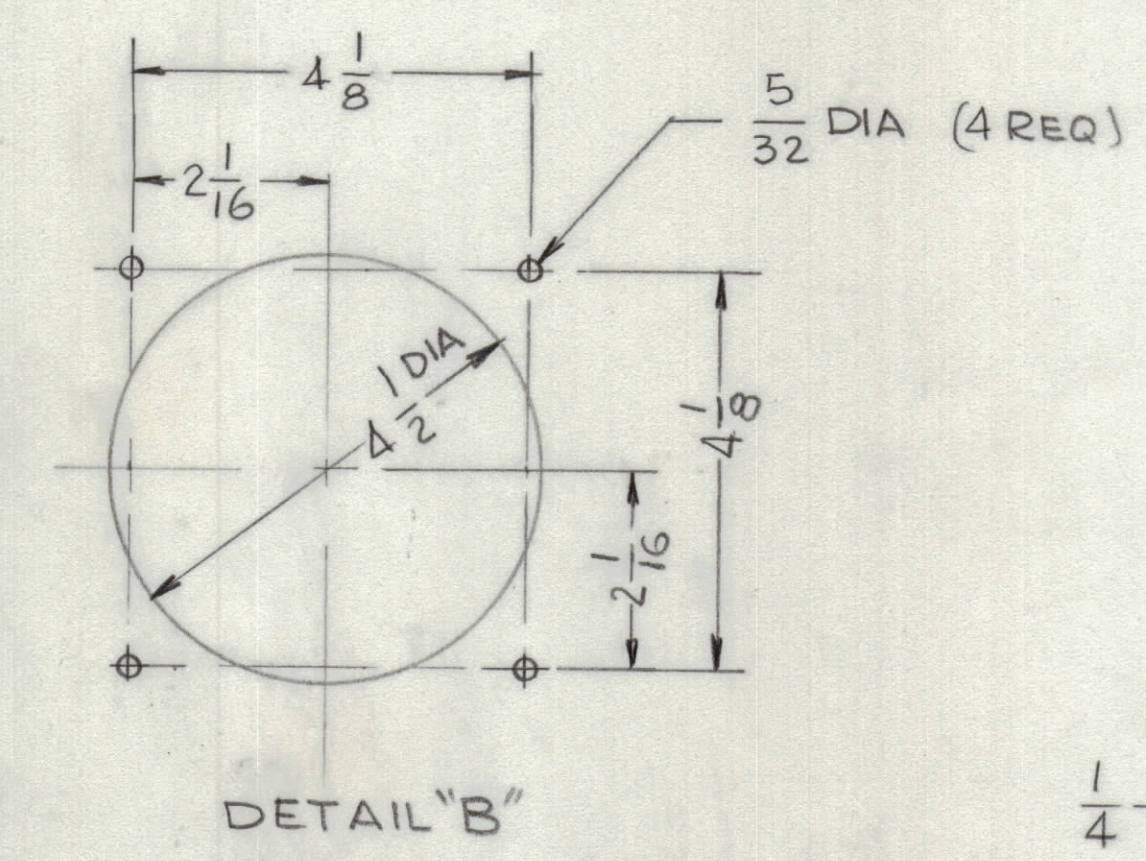
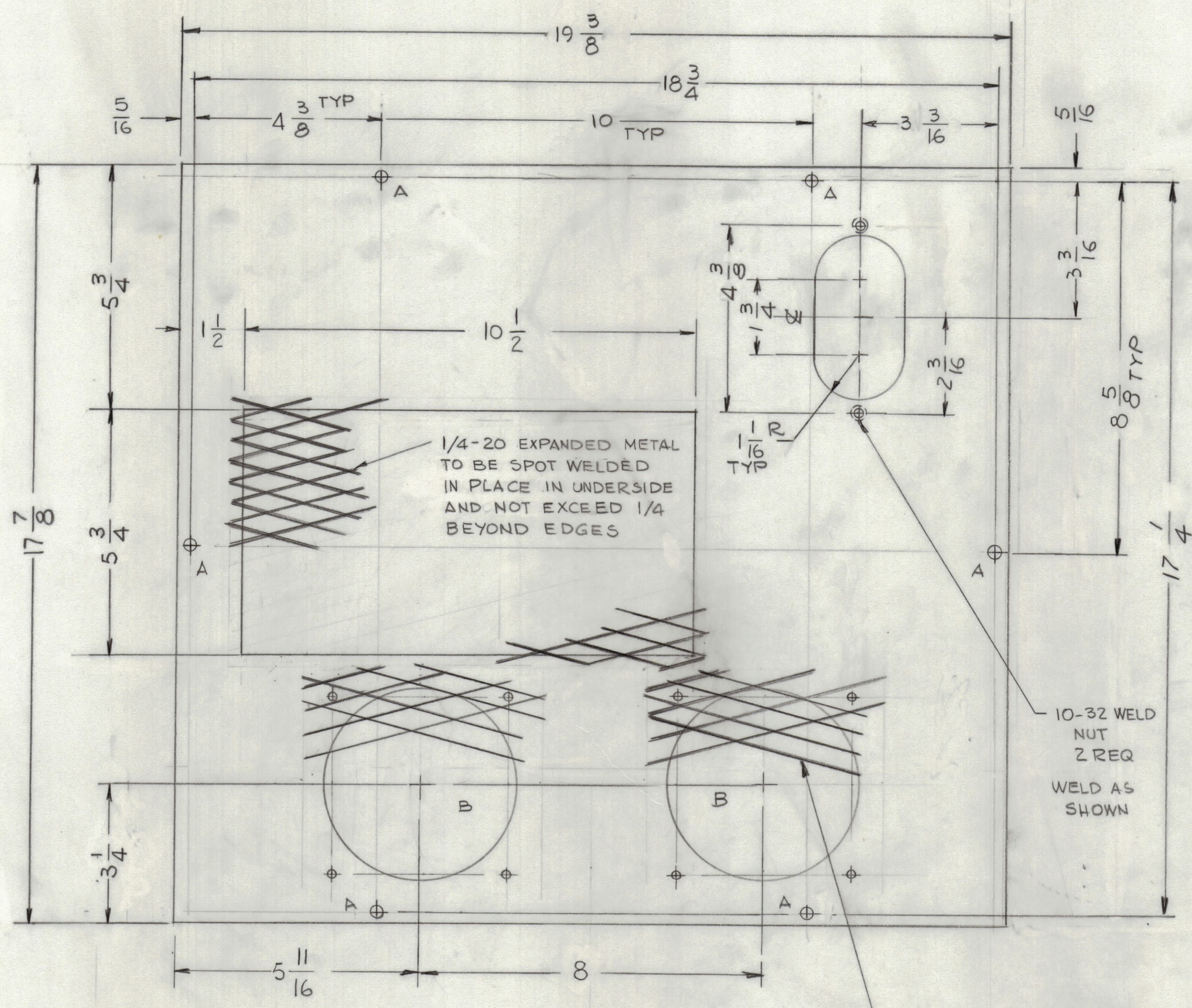


REVISIONS							
E.M.N.O	DRAFT	CHKD	ZONE	LTR	DESCRIPTION	DATE	APPROVED
21366	GDL			B	SHEET 5 ADD.	3-10-76	Q



HOLES
 A - 15/64 DIA 6 REQ
 B - SEE DETAIL

MS6232 - 5
TOP CABINET, XMTR EXHAUST, GPTA - IK J
(ONLY)

MS 6230		
QTY / UNIT	MODEL USED ON	ASS'Y NO.
APPLICATION		
CODE		
<small>NOTICE TO PERSONS RECEIVING THIS DRAWING</small> <small>THE TECHNICAL MATERIEL CORPORATION claims proprietary right in the material disclosed hereon. This drawing is issued in confidence for engineering information only and may not be reproduced or used to manufacture anything shown hereon without permission from THE TECHNICAL MATERIEL CORPORATION to the user. This drawing is loaned for mutual assistance and is subject to recall at any time.</small>		

UNLESS OTHERWISE SPECIFIED DIMENSIONS ARE IN INCHES AND INCLUDE CHEMICALLY APPLIED OR PLATED FINISHES	
DECIMALS	FRACTIONS
.X ± .05	± 1/64
.XX ± .01	ANGLES
.XXX ± .005	± 0° - 30'
MATERIAL # 16 GAGE STEEL	
FINISH SS20 BLUE GRAY TEXTURED VINYL PAINT	

QTY. REQ.	ITEM	PART NO.	DESCRIPTION	SYMBOL
LIST OF MATERIAL				
THE TECHNICAL MATERIEL CORP. MAMARONECK, NEW YORK (CABINET ELECTRICAL) TOP, CABINET				
SIZE	CODE	IDENT NO.	DWG NO.	ISSUE
D	82679	MS 6232		B
SCALE 1/2				SHEET 5 OF 5