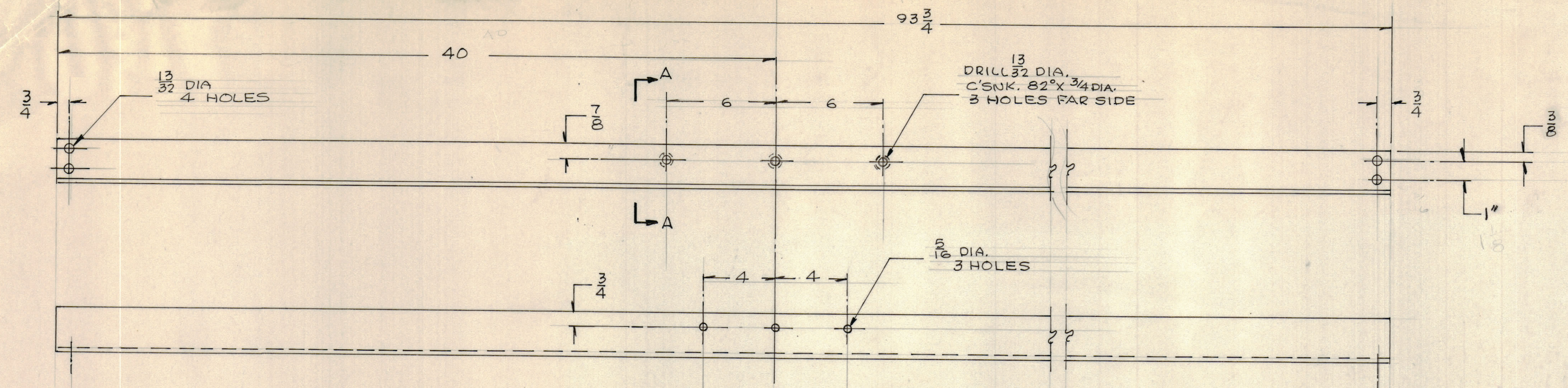
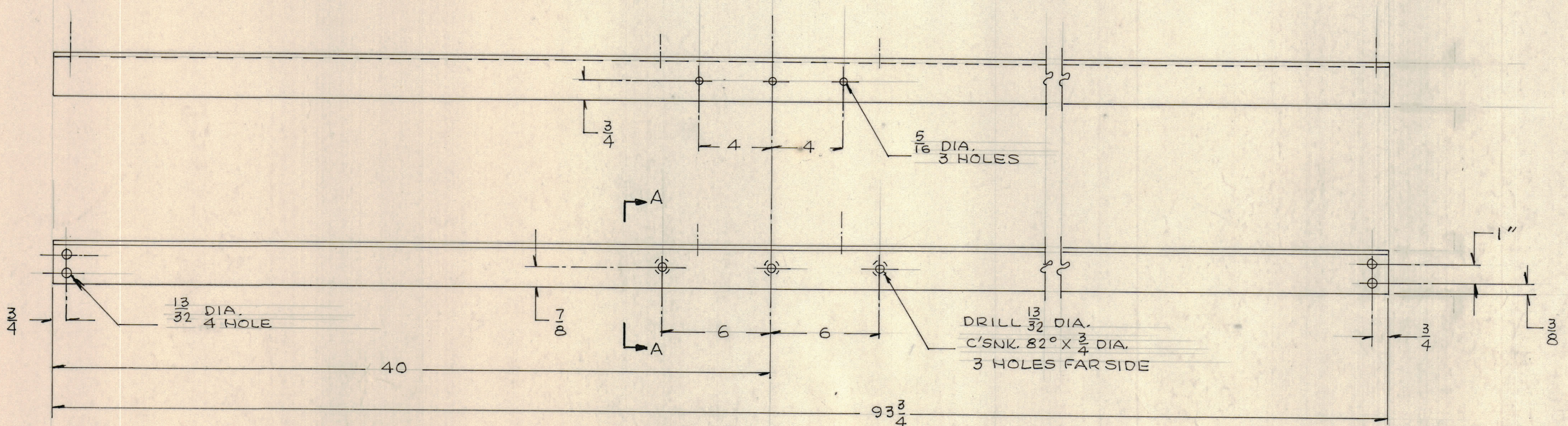


REVISIONS				
ZONE	LTR	DESCRIPTION	DATE	APPD

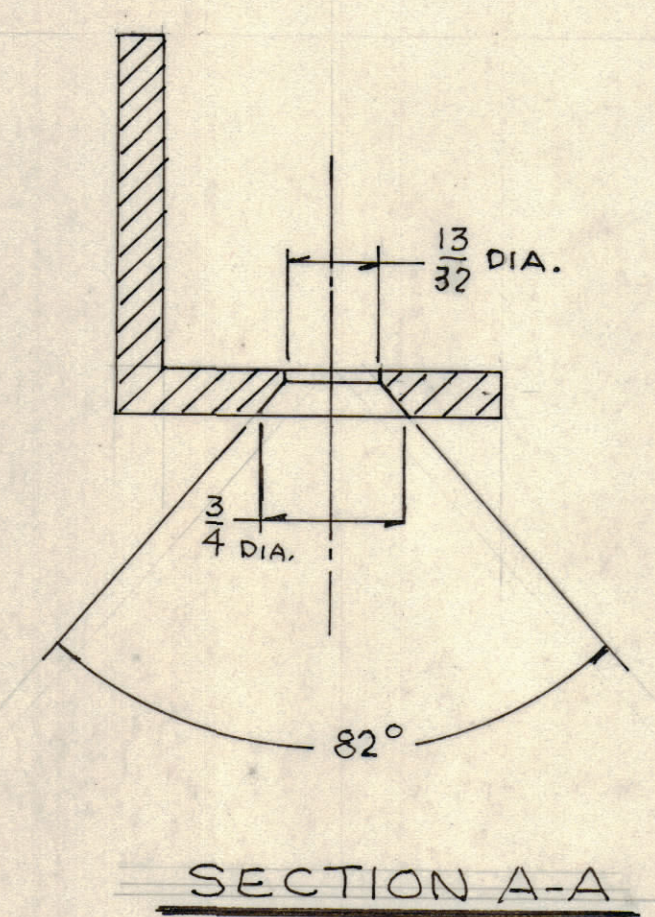


MS6167-1

- NOTES:
1. MATERIAL - 1/4 x 2 x 2 ALUMINUM ANGLE TYPE 6063-T5, QQ-A-274
 2. ALL HOLES TO BE MATCHED DRILLED AT ASSEMBLY



MS6167-2



QTY REQ	QTY REQ	QTY REQ	ITEM	PART NO.	MANUFACTURER	DESCRIPTION	SYM
PARTS LIST							
INTERPRET DRAWING PER LISTED DOCUMENTS DIMENSIONING MIL - STD - 8 SURFACE ROUGHNESS MIL - STD - 10 ABBREVIATIONS MIL - STD - 12 ELECTRONIC SYMBOLS MIL - STD - 15 WELDING SYMBOLS JAN - STD - 19				UNLESS OTHERWISE SPECIFIED DIMENSIONS ARE IN INCHES AND INCLUDE CHEMICALLY APPLIED OR PLATED FINISHES REMOVE ALL BURRS AND SHARP EDGES TOLERANCES ON FRACTIONS ANGLES DECIMALS		DRAWN FRAMPTON DATE 5-8-73 CHECKED [Signature] DATE 5-8-73 D. ENG. DATE P. ENG. DATE P. MGR. DATE CHIEF, ENG. DEPT. [Signature] DATE	
NEXT ASSY USED ON APPLICATION NOTICE TO PERSONS RECEIVING THIS DRAWING THE TMC SYSTEMS AND POWER CORPORATION claims proprietary right in the material disclosed hereon. This drawing is issued in confidence for engineering information only and may not be reproduced or used to manufacture anything shown hereon without permission from THE TMC SYSTEMS AND POWER CORPORATION to the user. This drawing is loaned for mutual assistance and is subject to recall at any time.				MATERIAL AS NOTED FINISH AS NOTED		THE TMC SYSTEMS AND POWER CORPORATION SPRINGFIELD, VIRGINIA MUFFLER SUPPORT ANGLE SIZE CODE IDENT NO DWG. NO. REV D 24146 MS6167 SCALE SHEET (OF)	