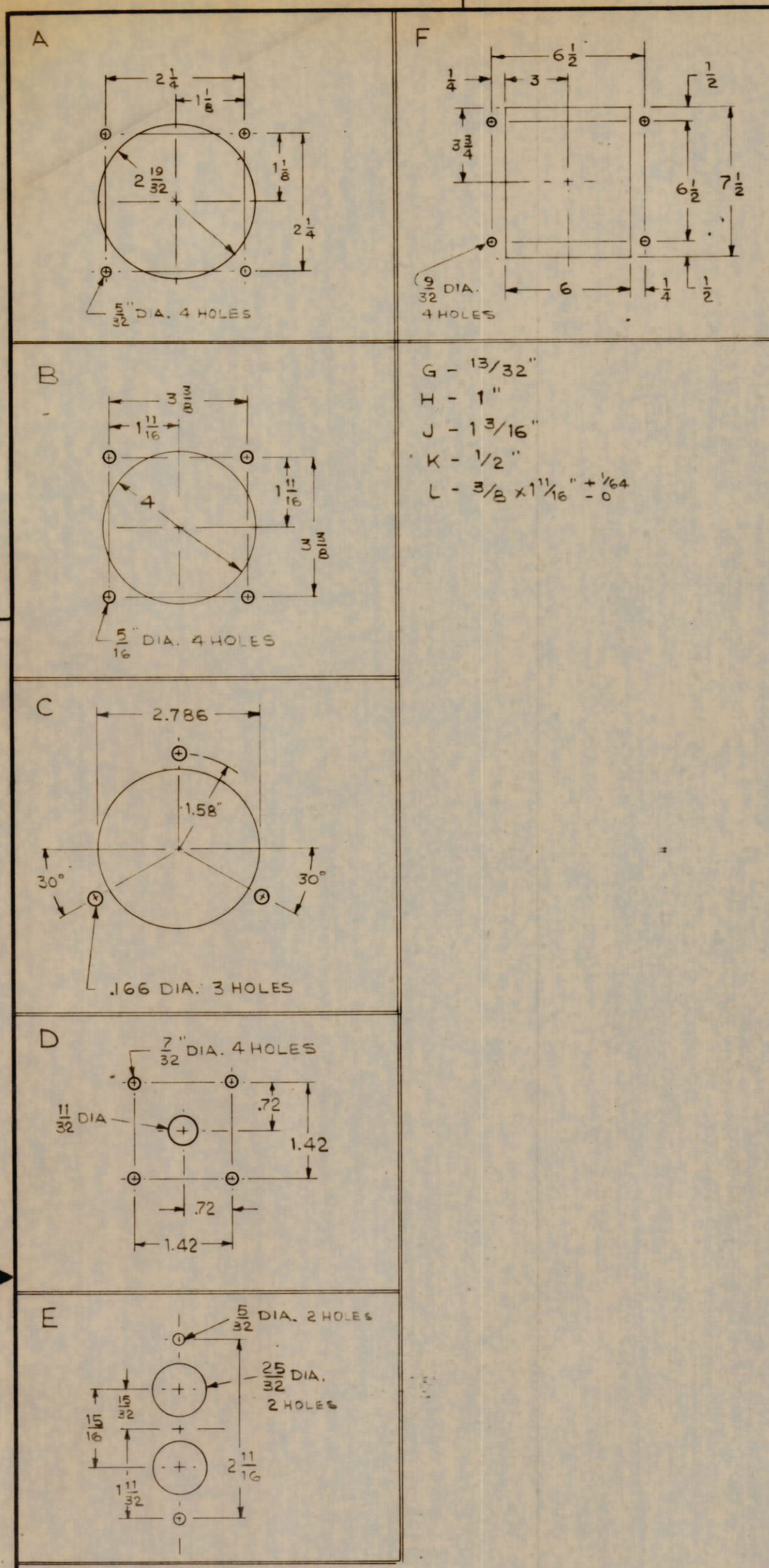
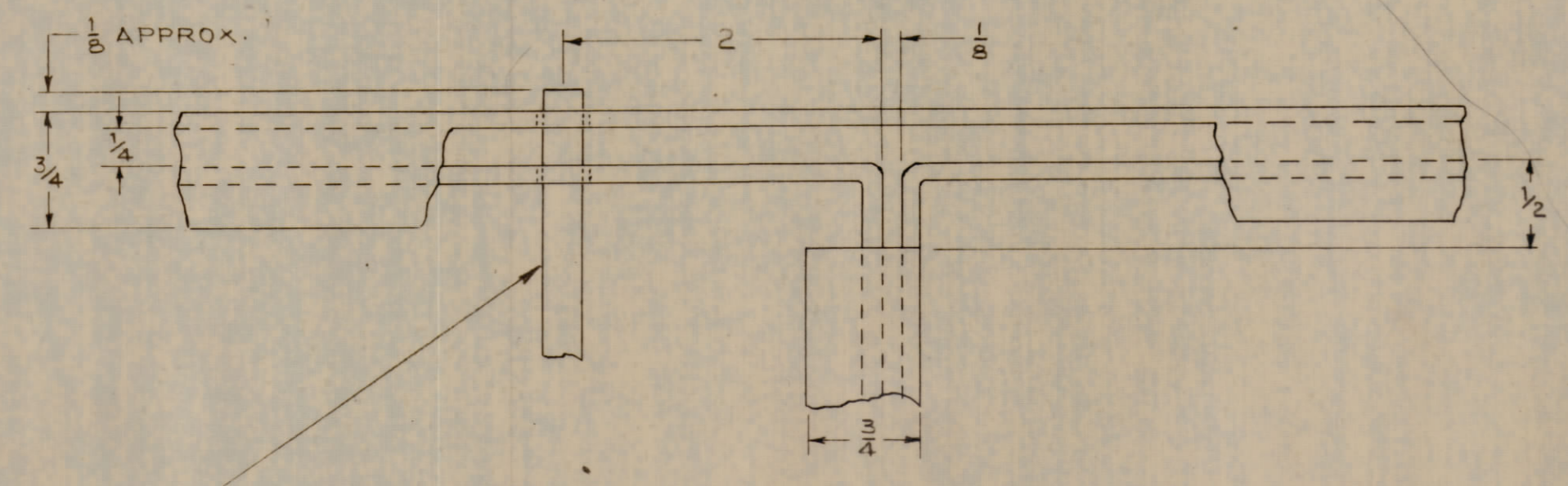
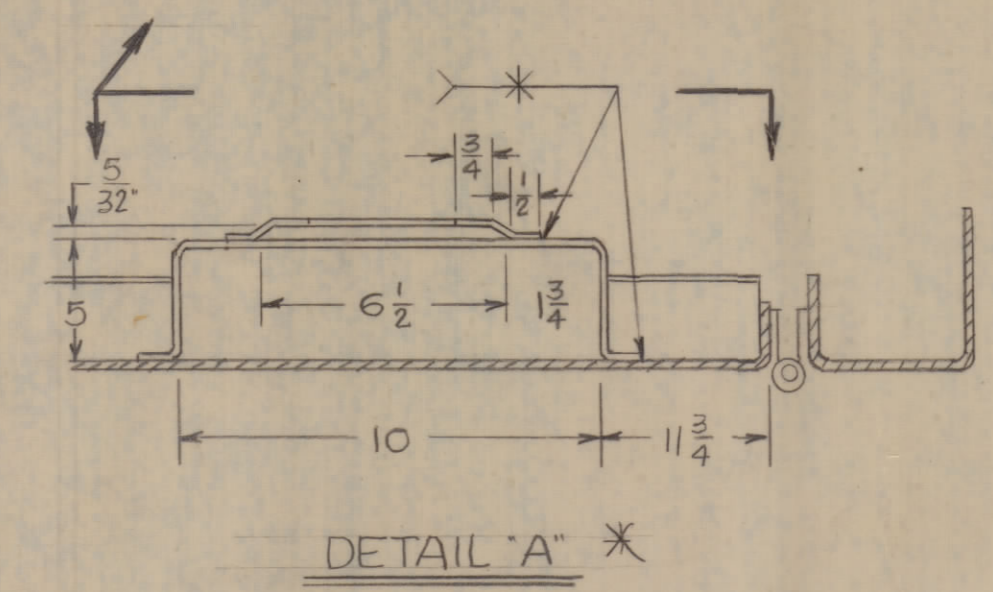
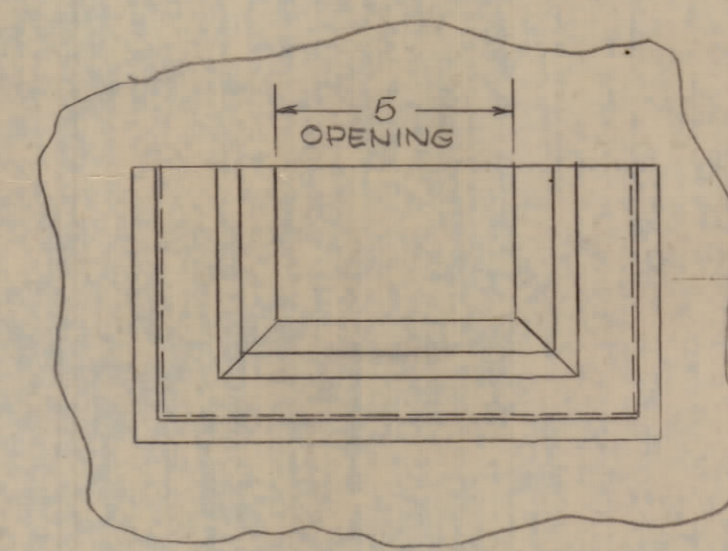
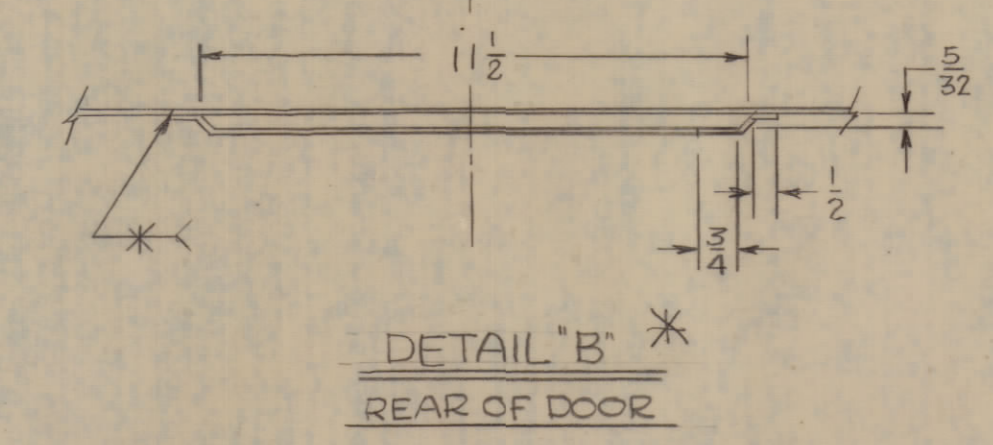
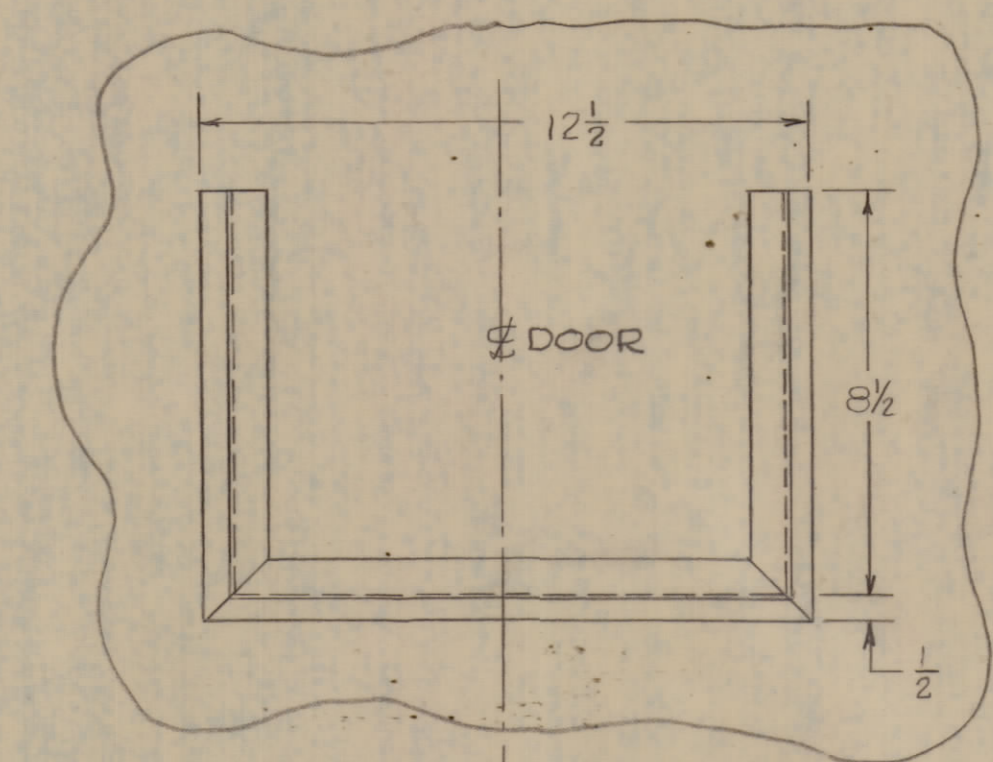
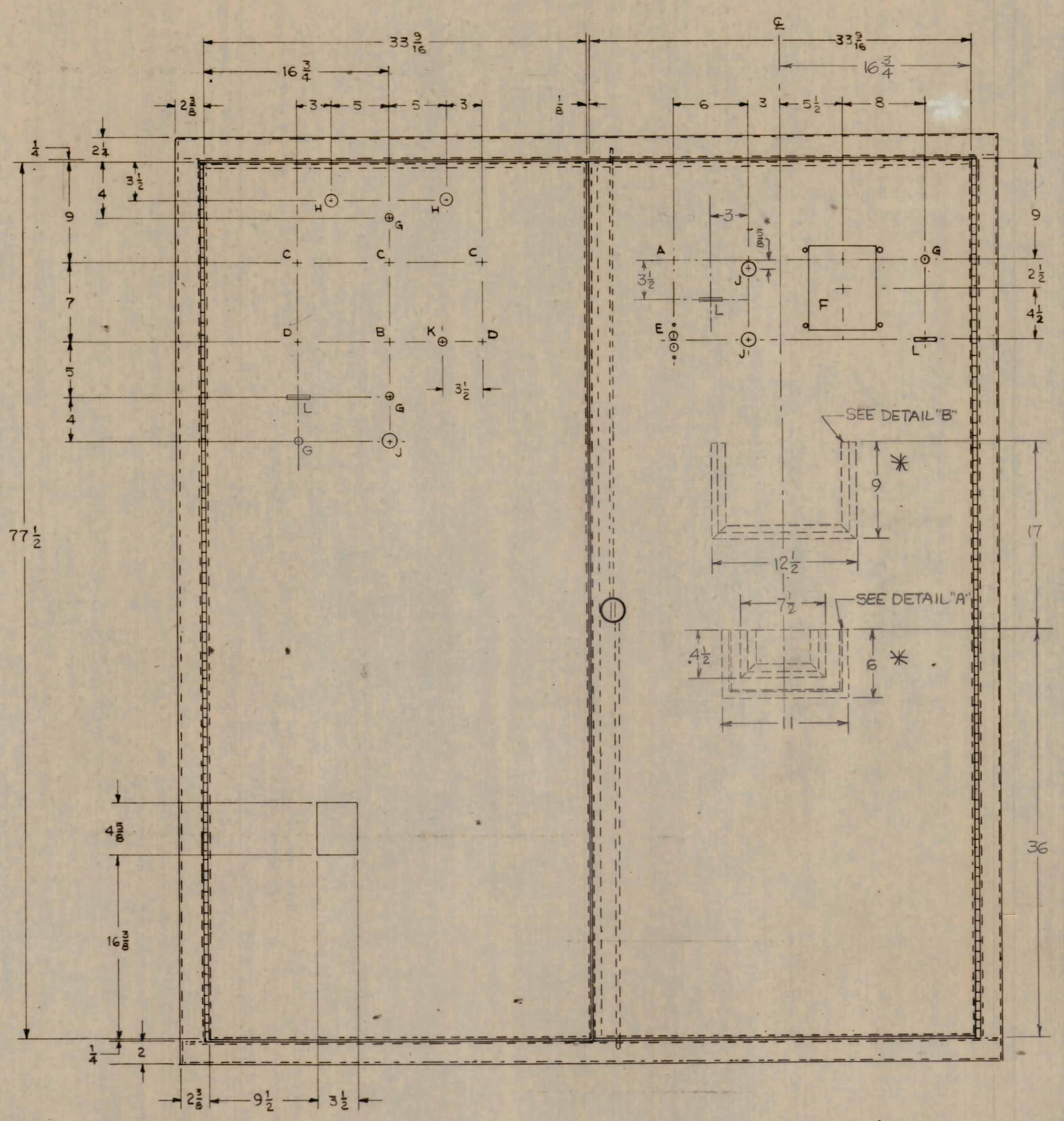


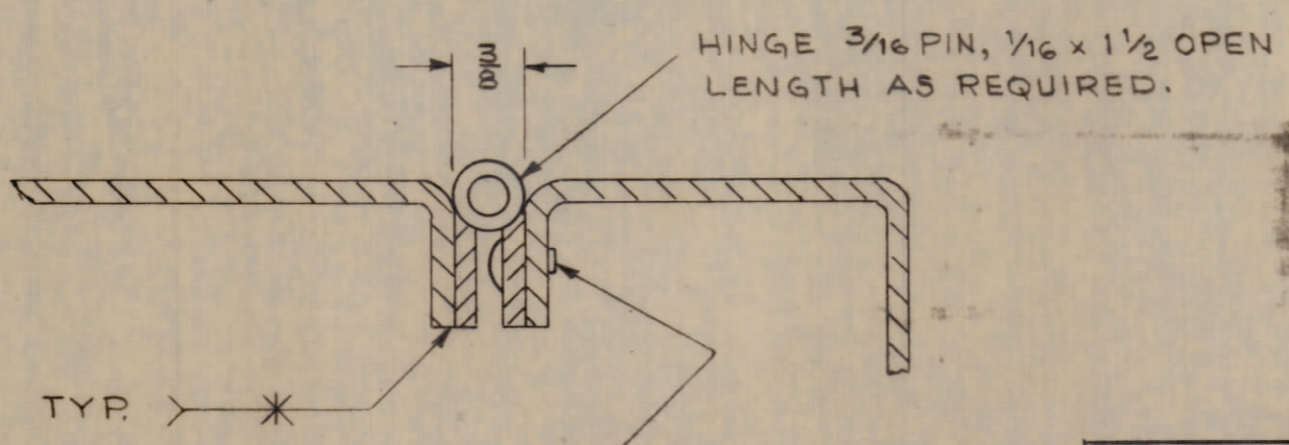
REVISIONS						
ZONE	LTR	DESCRIPTION	DATE	DRAFT	CHK'D	APPD
A		REV. AS PER ASTERISK *	11-25-72	EM		



G - 13/32"
H - 1"
J - 1 3/16"
K - 1/2"
L - 3/8 x 1 1/16 + 1/64



INSIDE REAR SECTION



DOOR MOUNTING DETAIL
TYPICAL BOTH DOORS
SCALE 1/1

DOOR LATCH DIMENSION CAN CHANGE, LATCH IS TO BE PROVIDED AND FITTED BY CABINET MANUFACTURE.

HINGE 3/16 PIN, 1/16 x 1 1/2 OPEN LENGTH AS REQUIRED.

TAP 10-32 UNC-2B
NO. 10-32 x 3/8 LG.

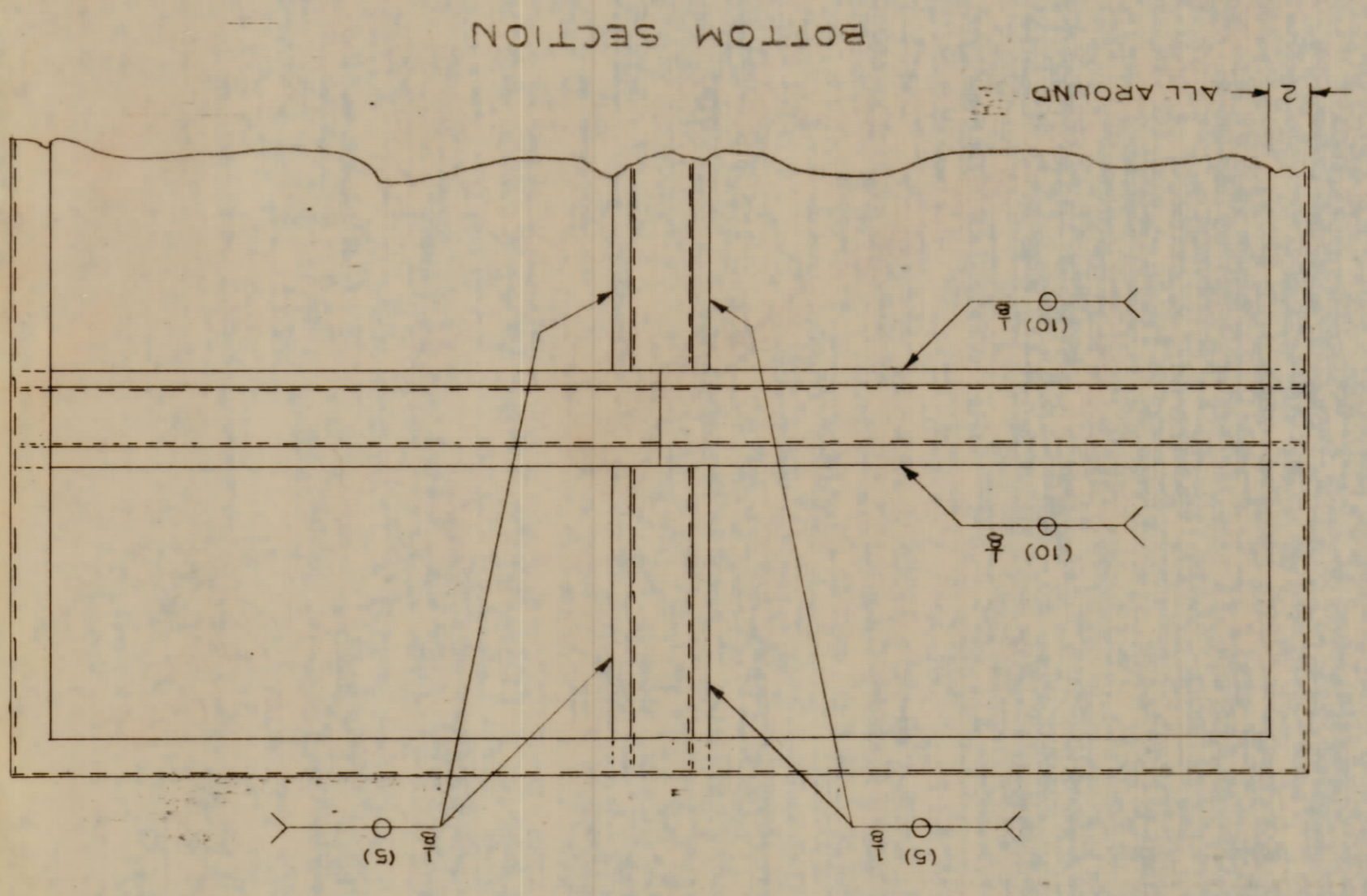
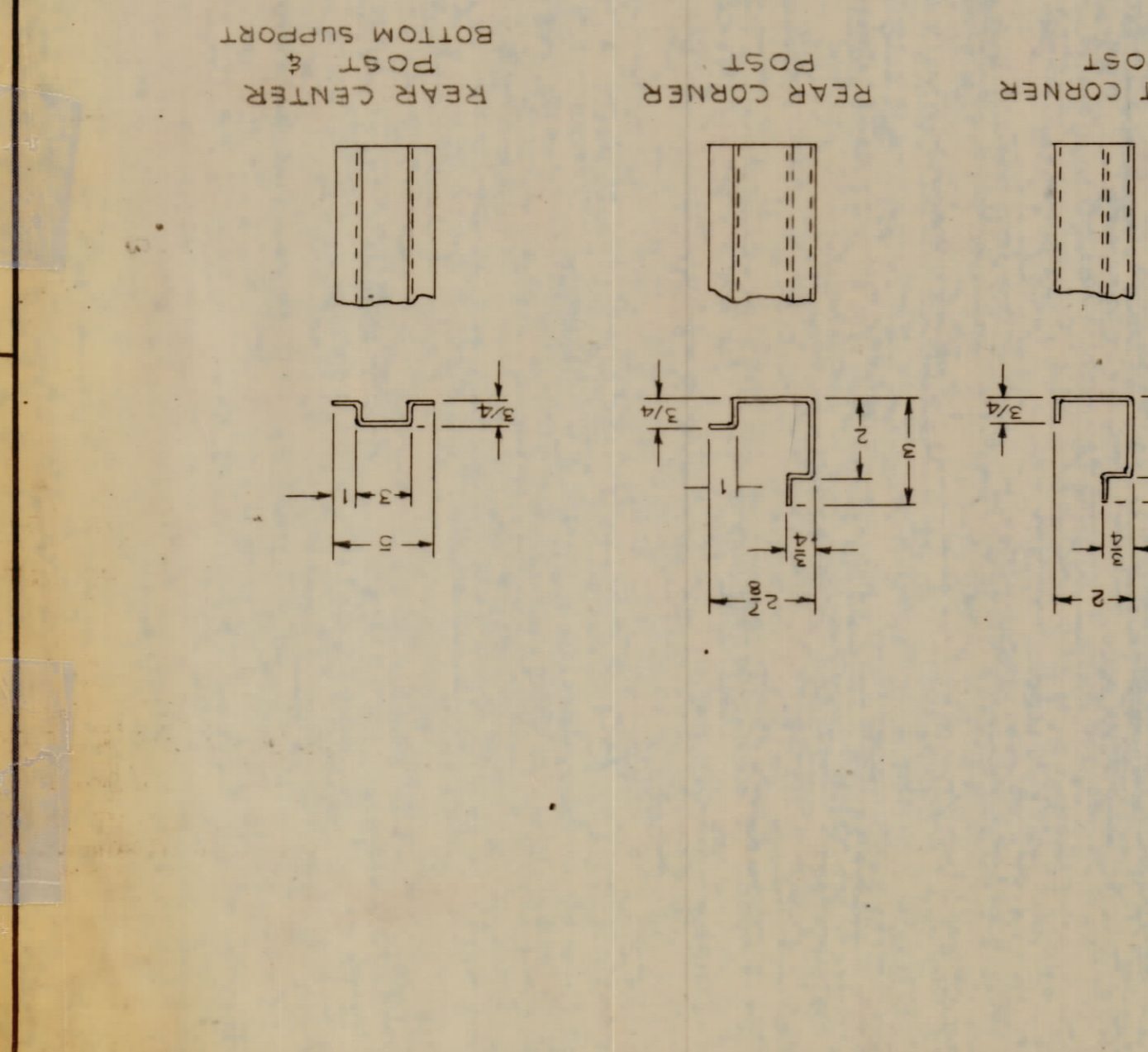
QTY REQ	QTY REQ	QTY REQ	ITEM	PART NO.	MANUFACTURER	DESCRIPTION	SYM	
			PARTS LIST					
			THE TMC SYSTEMS AND POWER CORPORATION SPRINGFIELD, VIRGINIA					
			CONTROL CABINET FABRICATION ASSEMBLY 277/480 VOLT SYSTEM, FAA					
						SIZE	REV	
						D 24146	A	
						SCALE	SHEET 1 OF 3	

QTY REQ	QTY REQ	QTY REQ	ITEM	PART NO.	MANUFACTURER	DESCRIPTION	SYM	
			PARTS LIST					
			THE TMC SYSTEMS AND POWER CORPORATION SPRINGFIELD, VIRGINIA					
			CONTROL CABINET FABRICATION ASSEMBLY 277/480 VOLT SYSTEM, FAA					
						SIZE	REV	
						D 24146	A	
						SCALE	SHEET 1 OF 3	

QTY REQ	QTY REQ	QTY REQ	ITEM	PART NO.	MANUFACTURER	DESCRIPTION	SYM	
			PARTS LIST					
			THE TMC SYSTEMS AND POWER CORPORATION SPRINGFIELD, VIRGINIA					
			CONTROL CABINET FABRICATION ASSEMBLY 277/480 VOLT SYSTEM, FAA					
						SIZE	REV	
						D 24146	A	
						SCALE	SHEET 1 OF 3	

NOTICE TO PERSONS RECEIVING THIS DRAWING
THE TMC SYSTEMS AND POWER CORPORATION claims proprietary right in the material disclosed hereon. This drawing is issued in confidence for engineering information only and may not be reproduced or used to manufacture anything shown hereon without permission from THE TMC SYSTEMS AND POWER CORPORATION to the user. This drawing is loaned for mutual assistance and is subject to recall at any time.

ZONE	LTR	DESCRIPTION	DATE	DRAFT	CHK'D	APP'D
1						
2						
3						
4						
5						
6						
7						
8						



NOTE:
 1. MATERIAL - 11 GAUGE CRS.
 2. SIDE AND REAR SKIN TO BE FABRICATED FROM 14 GA. CRS. MOUNTED WITH 1/4 SELF THREADING SCREWS. SIX (6) VERTICAL, THREE (3) HORIZONTAL, TOTAL 18 EACH SKIN.
 3. REMOVE ALL BURRS AND SHARP EDGES.
 4. PAINT IN ACCORDANCE WITH TMC SPEC NO. P400
 5. SEE DWG. NO. AX720 FOR HOLE LOCATION IN TOP.

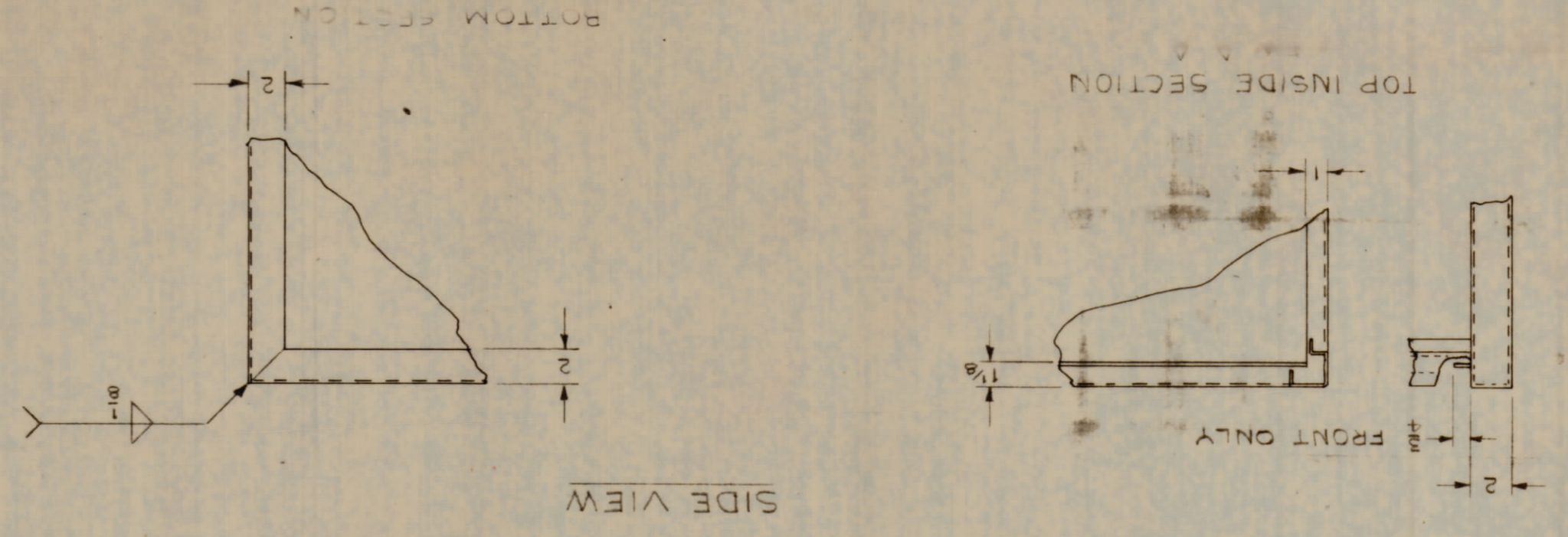
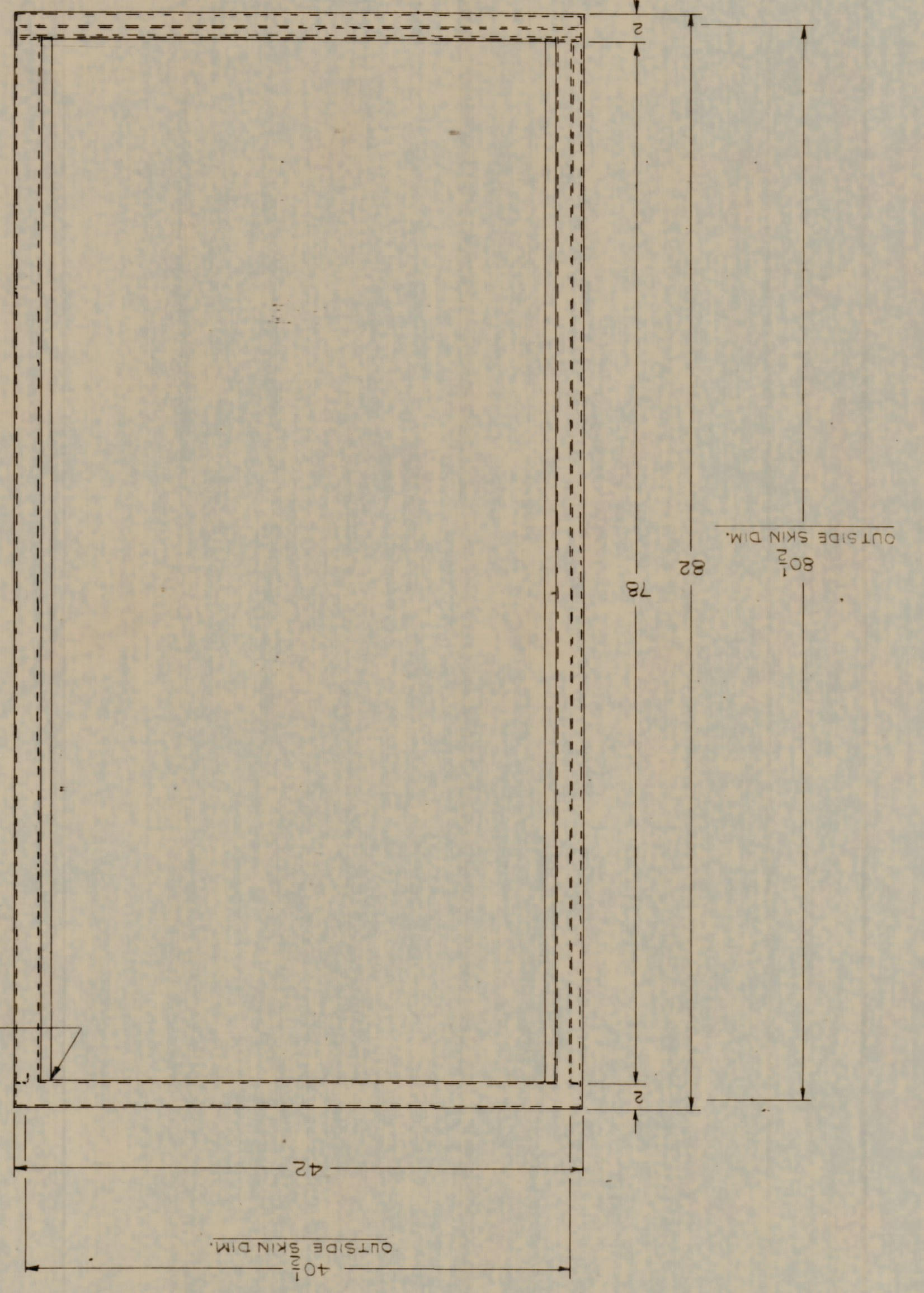
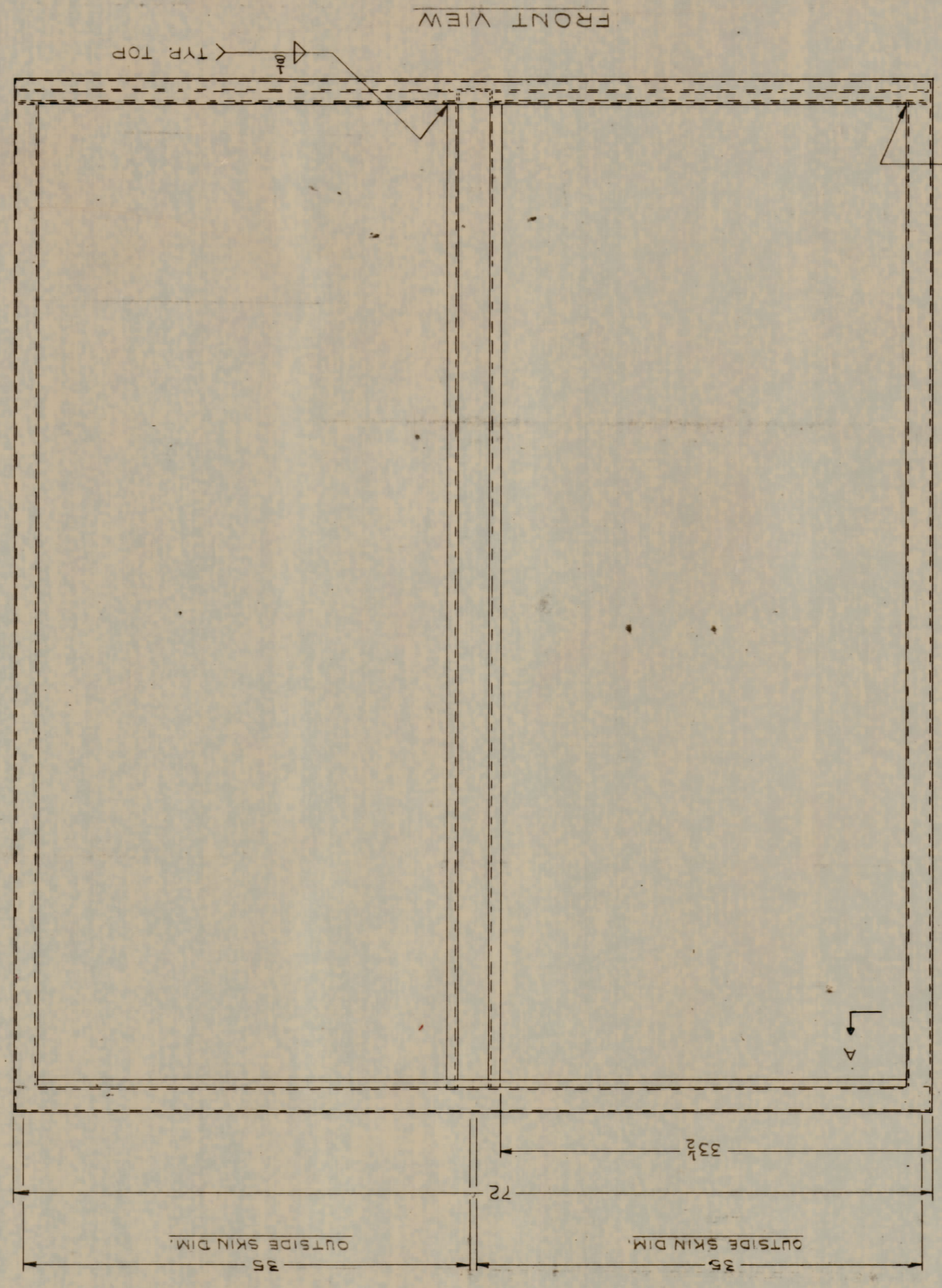
PARTS LIST		DRAWN		CHECKED		P. ENGR.		MGR.		SCALE		REV	
QTY	REQ	QTY	REQ	QTY	REQ	QTY	REQ	QTY	REQ	DATE	DATE	DATE	DATE

FINISH		APPLICATION		MATERIAL		NOTED	
PER LISTED DOCUMENTS	INTERPRET DRAWING	UNLESS OTHERWISE SPECIFIED DIMENSIONS ARE IN INCHES	DIMENSIONING SURFACE ROUGHNESS MIL - STD - 8	REMOVE ALL BURRS AND SHARP EDGES	PLATED FINISHES	REMOVE ALL BURRS AND SHARP EDGES	DECIMALS

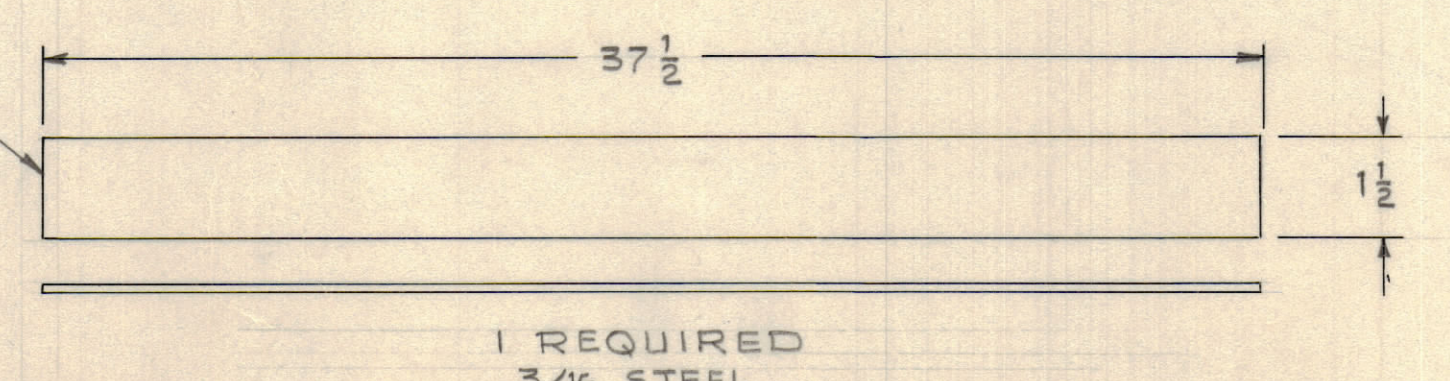
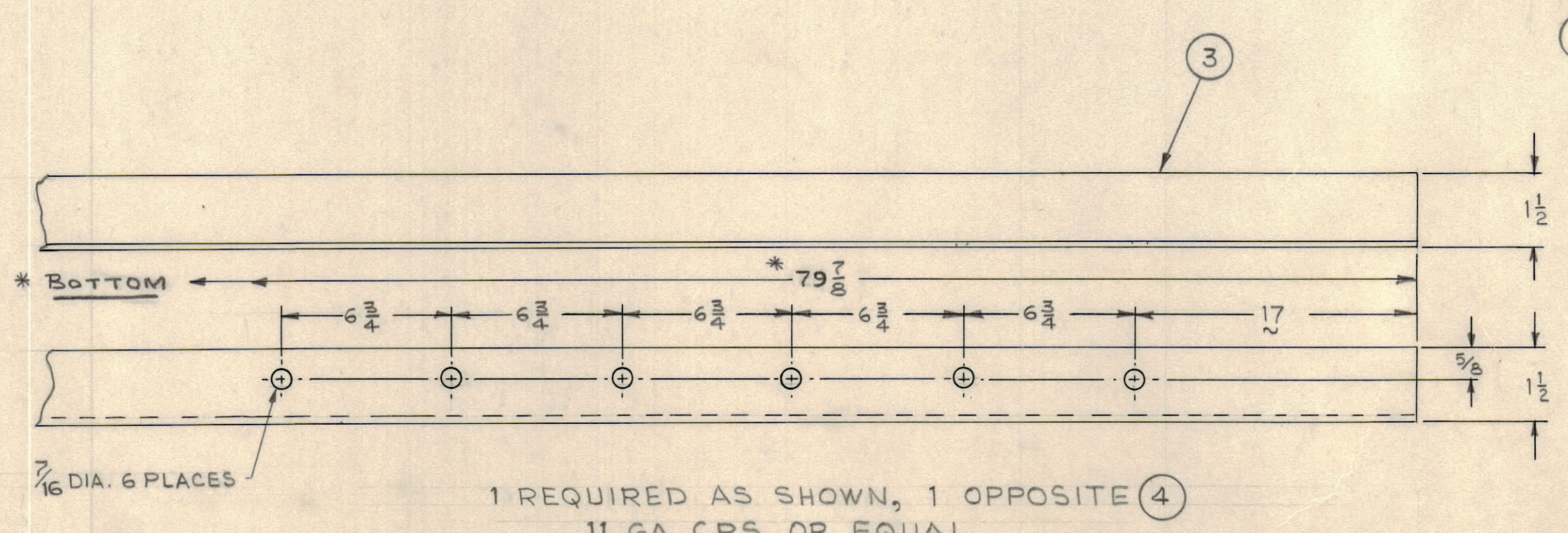
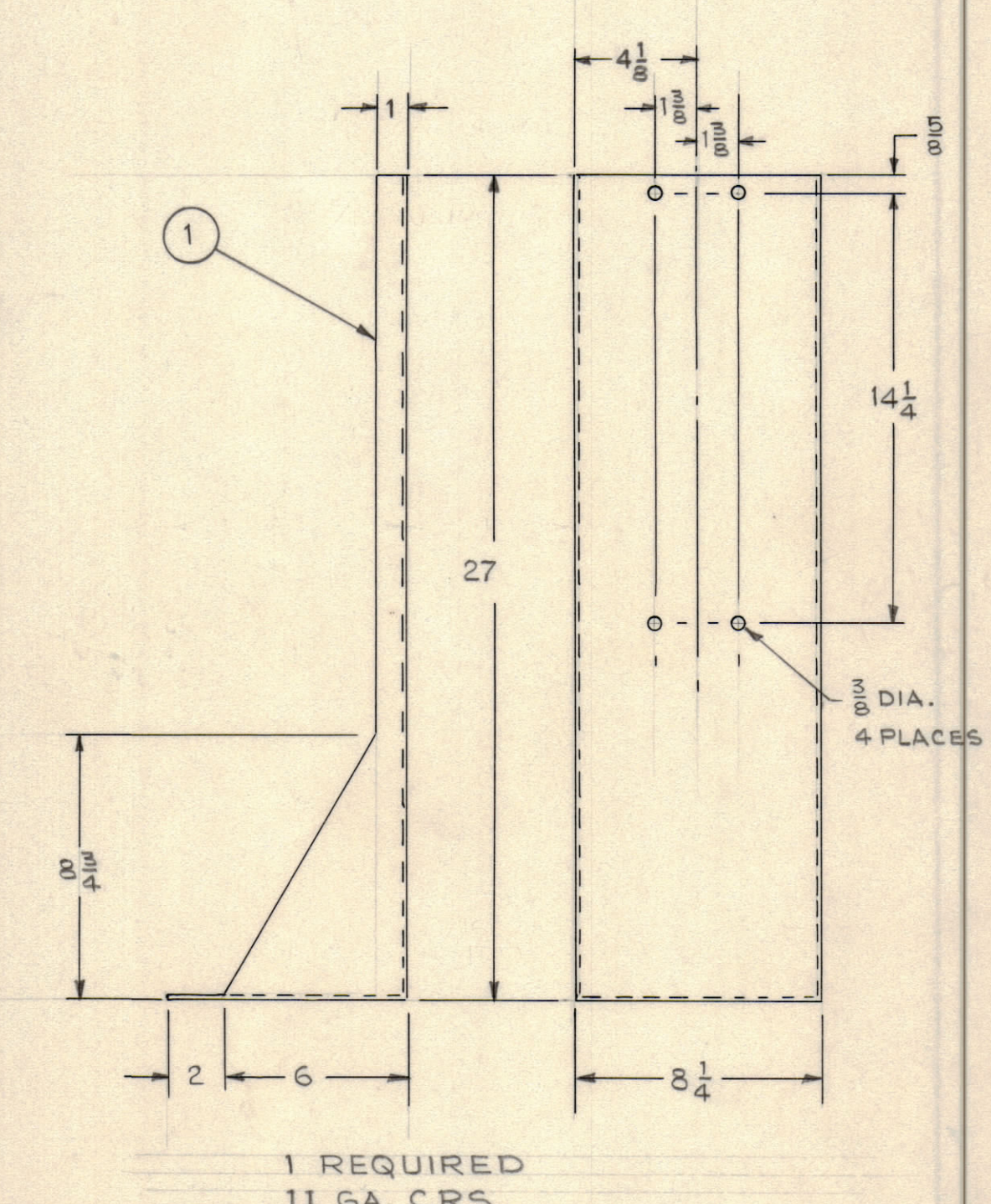
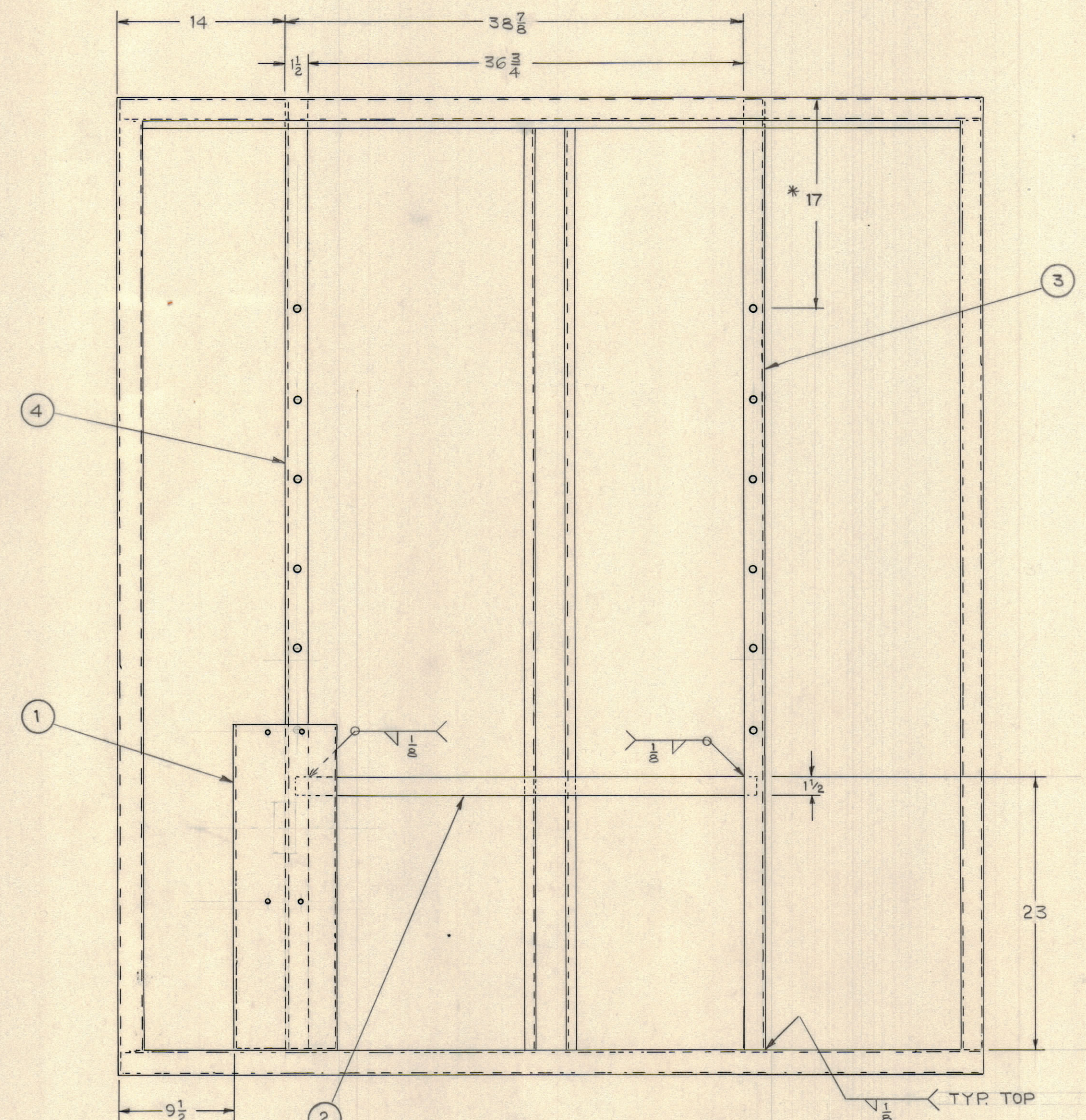
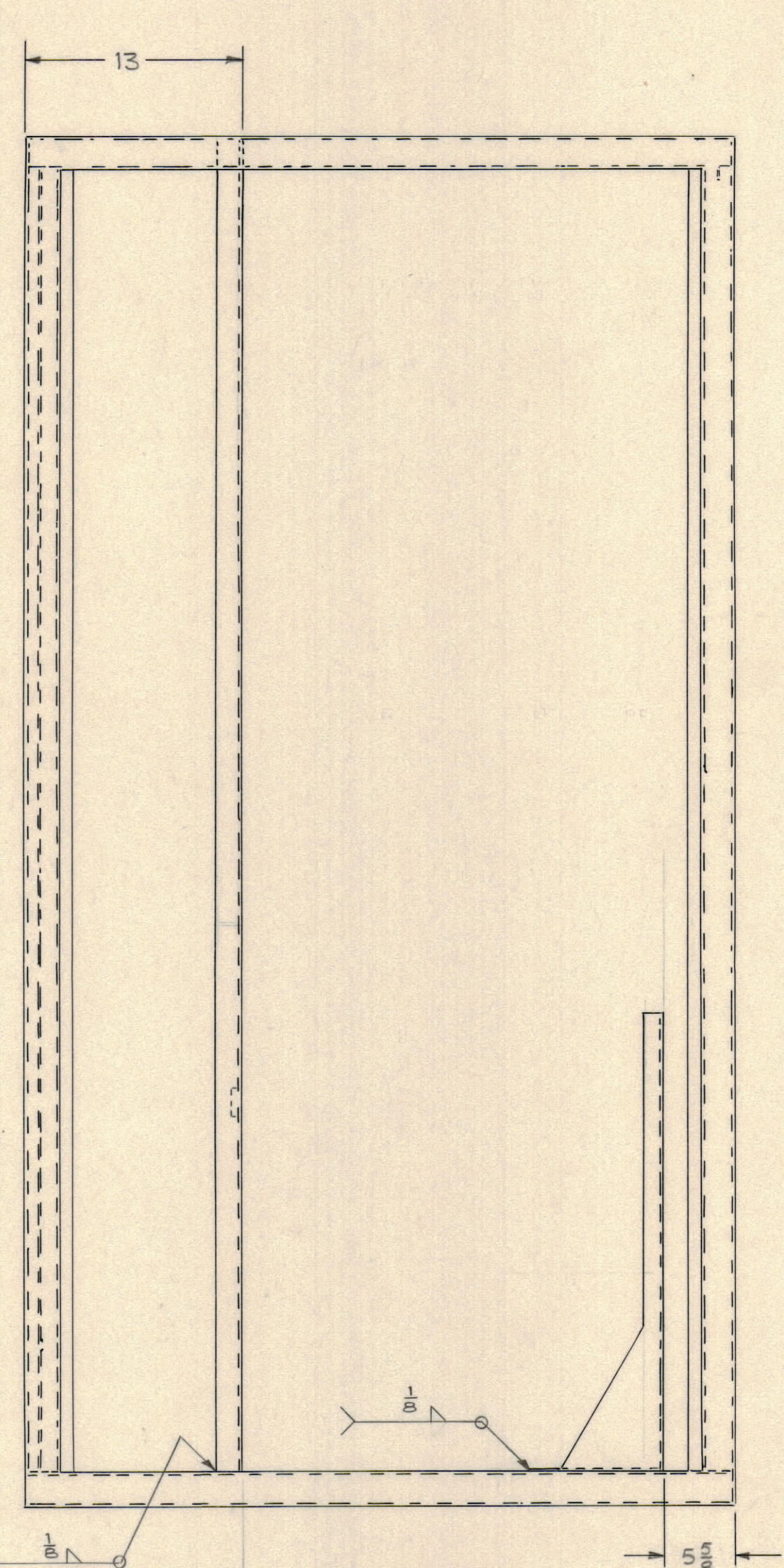
TOLERANCES ON ANGLES		TOLERANCES ON DIMENSIONS	
FRACTIONS	DECIMALS	FRACTIONS	DECIMALS
± 30	± .005	± 30	± .005

NOTICE TO PERSONS RECEIVING THIS DRAWING	
THE TMC SYSTEMS AND POWER CORPORATION claims proprietary right in the material disclosed hereon. This drawing is issued in confidence for engineering information only and may not be reproduced or used to manufacture anything herein without permission from THE TMC SYSTEMS AND POWER CORPORATION to the user. This drawing is loaned for mutual assistance and is subject to recall at any time.	

THE TMC SYSTEMS AND POWER CORPORATION
 SPRINGFIELD, VIRGINIA
 CONTROL CABINET
 FABRICATION ASSEMBLY
 277/480 VOLT SYSTEM FAA
 MSG139
 D 24146
 SCALE
 SHEET 2 OF 3



REVISIONS						
ZONE	LTR	DESCRIPTION	DATE	DRAFT	CHK'D	APPD



QTY REQ	QTY REQ	QTY REQ	ITEM	PART NO.	MANUFACTURER	DESCRIPTION	SYM

PARTS LIST			

INTERPRET DRAWING PER LISTED DOCUMENTS			

UNLESS OTHERWISE SPECIFIED DIMENSIONS ARE IN INCHES AND INCLUDE CHEMICALLY APPLIED OR PLATED FINISHES REMOVE ALL BURRS AND SHARP EDGES			

TOLERANCES ON		
FRACTIONS	ANGLES	DECIMALS

MATERIAL	

FINISH	

DRAWN	DATE	THE TMC SYSTEMS AND POWER CORPORATION	
MITCH	10-20-72		
CHECKED			
D. ENG.			
P. ENG.			
P. MGR.			
CHIEF, ENG. DEPT.			

SIZE	CODE IDENT NO	DWG. NO.	REV
D	24146	M56139	A

SCALE	SHEET	OF
	3	3

NOTICE TO PERSONS RECEIVING THIS DRAWING
 THE TMC SYSTEMS AND POWER CORPORATION claims proprietary right in the material disclosed herein. This drawing is issued in confidence for engineering information only and may not be reproduced or used to manufacture anything shown hereon without permission from THE TMC SYSTEMS AND POWER CORPORATION to the user. This drawing is loaned for mutual assistance and is subject to recall at any time.