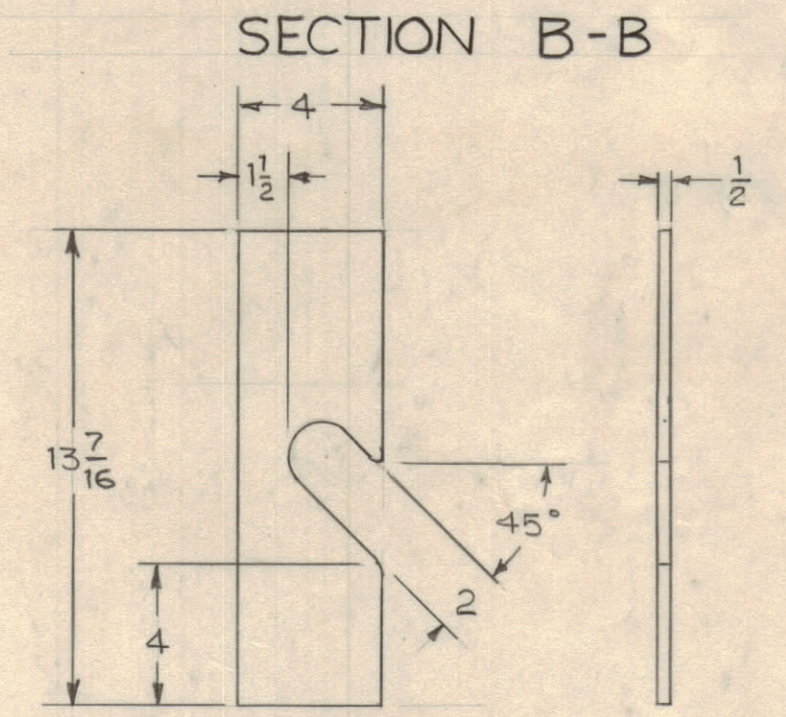
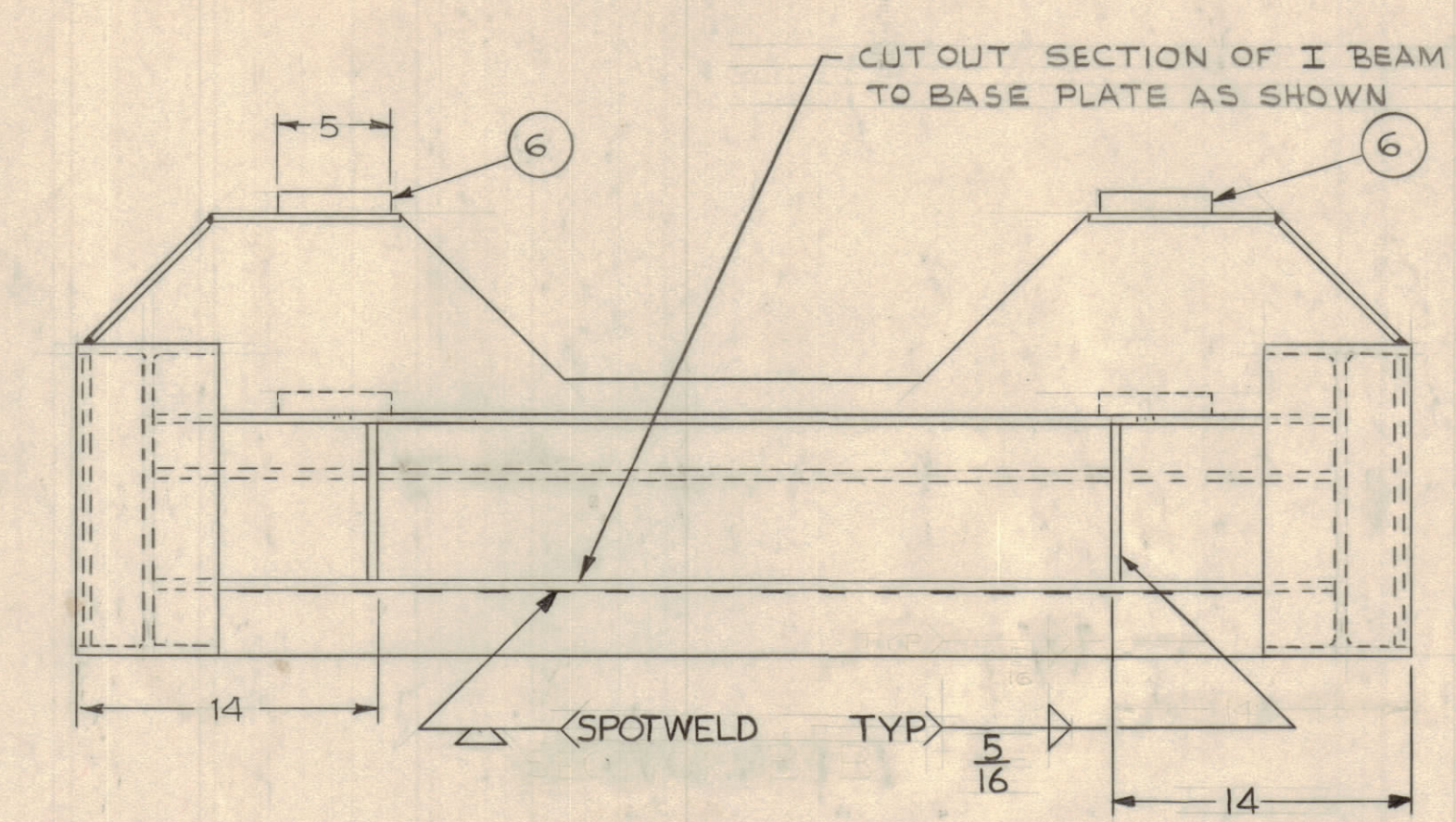
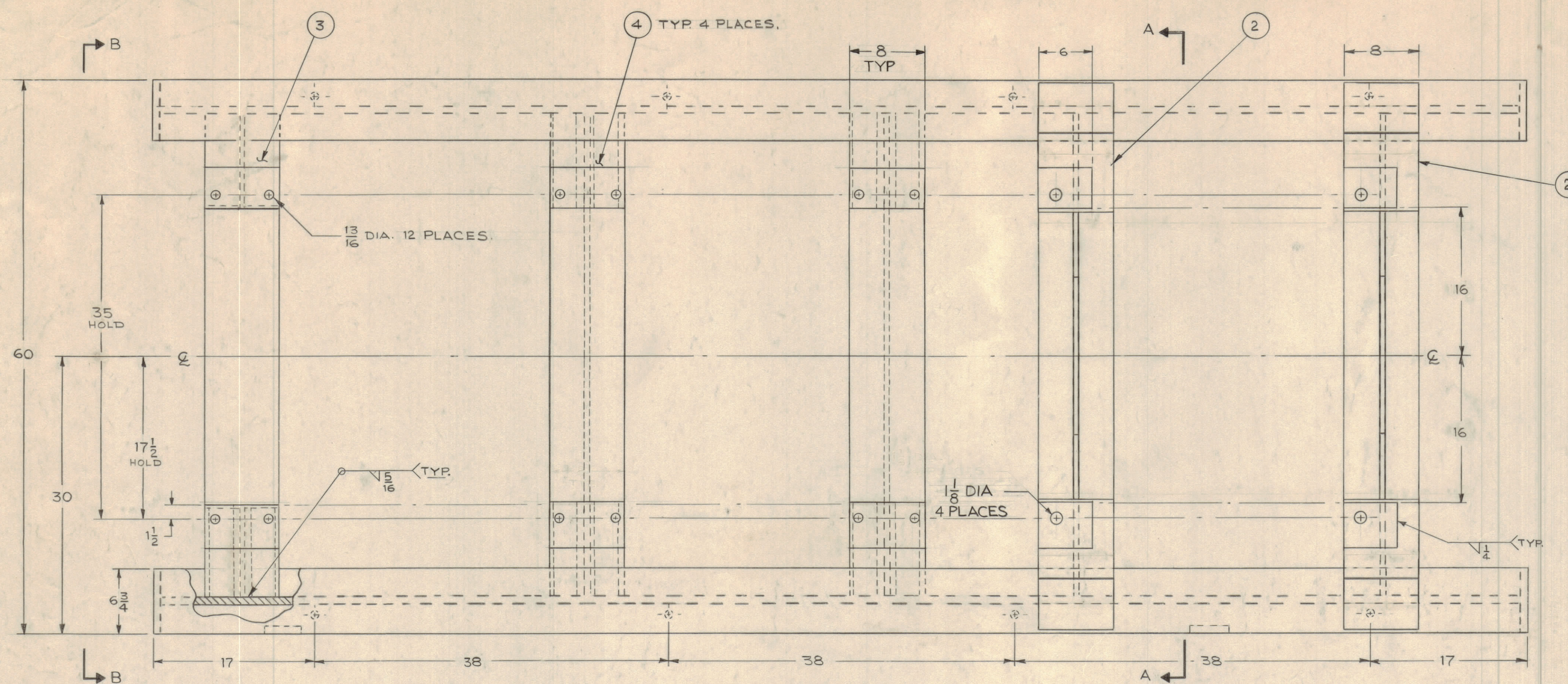
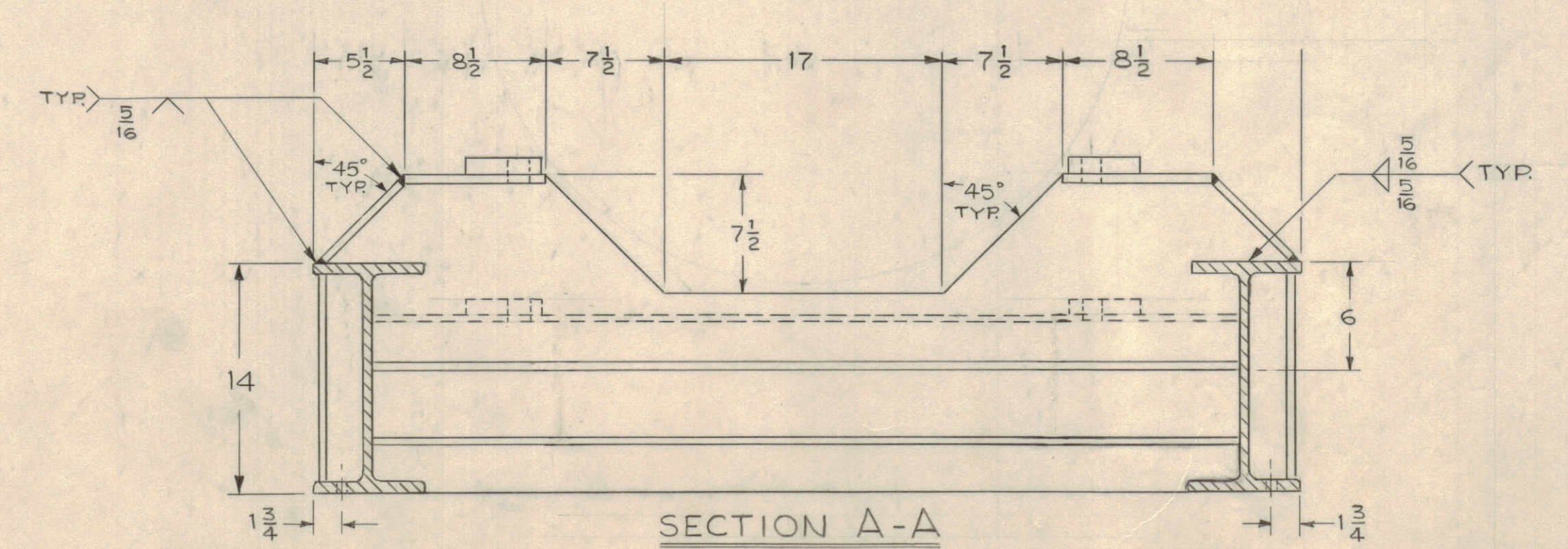
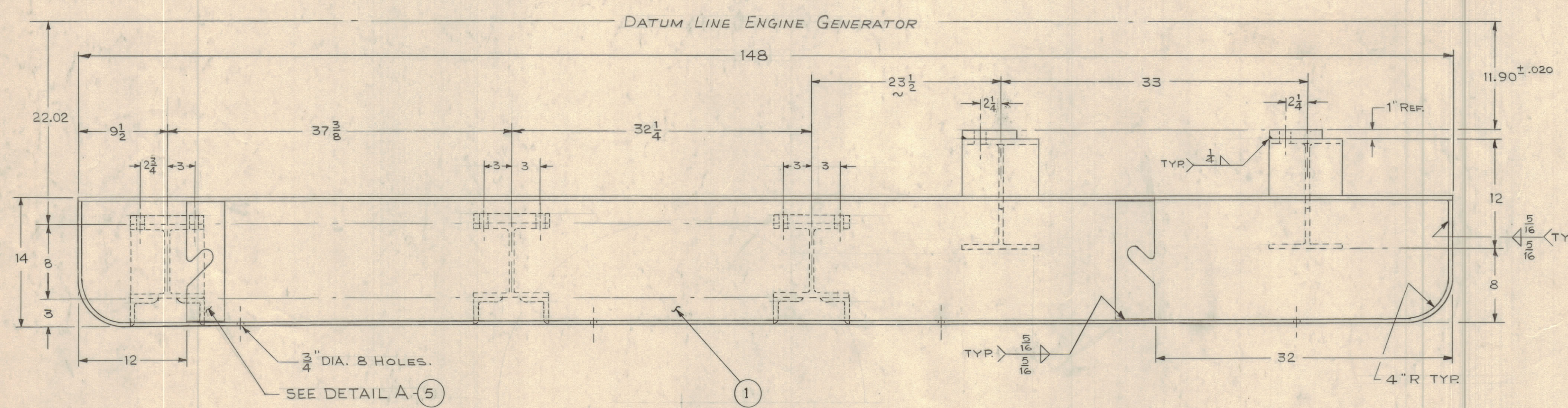


REVISIONS						
ZONE	LTR	DESCRIPTION	DATE	DRAFT	CHK'D	APPD
ALL	A	REV FOR ADDITIONAL SUPPORT	1-3-73		ERB	



DETAIL "A"
4 REQUIRED



QTY REQ	QTY REQ	QTY REQ	ITEM	PART NO.	MANUFACTURER	DESCRIPTION	SYM
4	6					MOUNTING PAD, FLAT STEEL.	
4	5					LIFTING EYE, FLAT STEEL	
4	4					H BEAM, 8x8x10 1/2 LG. ASTM A7 31 st PER FT.	
1	3					H BEAM, 8x8x53 1/4 LG. ASTM A7 31 st PER FT.	
2	2					H BEAM, 12x8x60 LG. ASTM A7 40 th PER FT.	
2	1					H BEAM, 14x6 3/4 x148 LG. ASTM A7 30 th PER FT.	

INTERPRET DRAWING PER LISTED DOCUMENTS DIMENSIONING MIL - STD - 8 SURFACE ROUGHNESS MIL - STD - 10 ABBREVIATIONS MIL - STD - 12 ELECTRONIC SYMBOLS MIL - STD - 15 WELDING SYMBOLS JAN - STD - 19		UNLESS OTHERWISE SPECIFIED DIMENSIONS ARE IN INCHES AND INCLUDE CHEMICALLY APPLIED OR PLATED FINISHES REMOVE ALL BURRS AND SHARP EDGES TOLERANCES ON FRACTIONS ± 1/16" ANGLES ± 2° DECIMALS ± .020		DRAWN MITCH DATE 8-30-72 CHECKED DATE D. ENG. DATE 8-30-72 P. ENG. ERB DATE 12 Sept 72 P. MGR. DATE CHIEF, ENG. DEPT. DATE 12 Sept 72	THE TMC SYSTEMS AND POWER CORPORATION SPRINGFIELD, VIRGINIA 425 KW ENGINE GENERATOR SET BASE ASSEMBLY FAA.	
NOTICE TO PERSONS RECEIVING THIS DRAWING THE TMC SYSTEMS AND POWER CORPORATION claims proprietary right in the material disclosed herein. This drawing is issued in confidence for engineering information only and may not be reproduced or used to manufacture anything shown herein without permission from THE TMC SYSTEMS AND POWER CORPORATION to the user. This drawing is loaned for mutual assistance and is subject to recall at any time.		MATERIAL NOTED FINISH		SIZE D CODE IDENT NO 24146 DWG. NO. MS6136 REV A	SCALE SHEET OF	