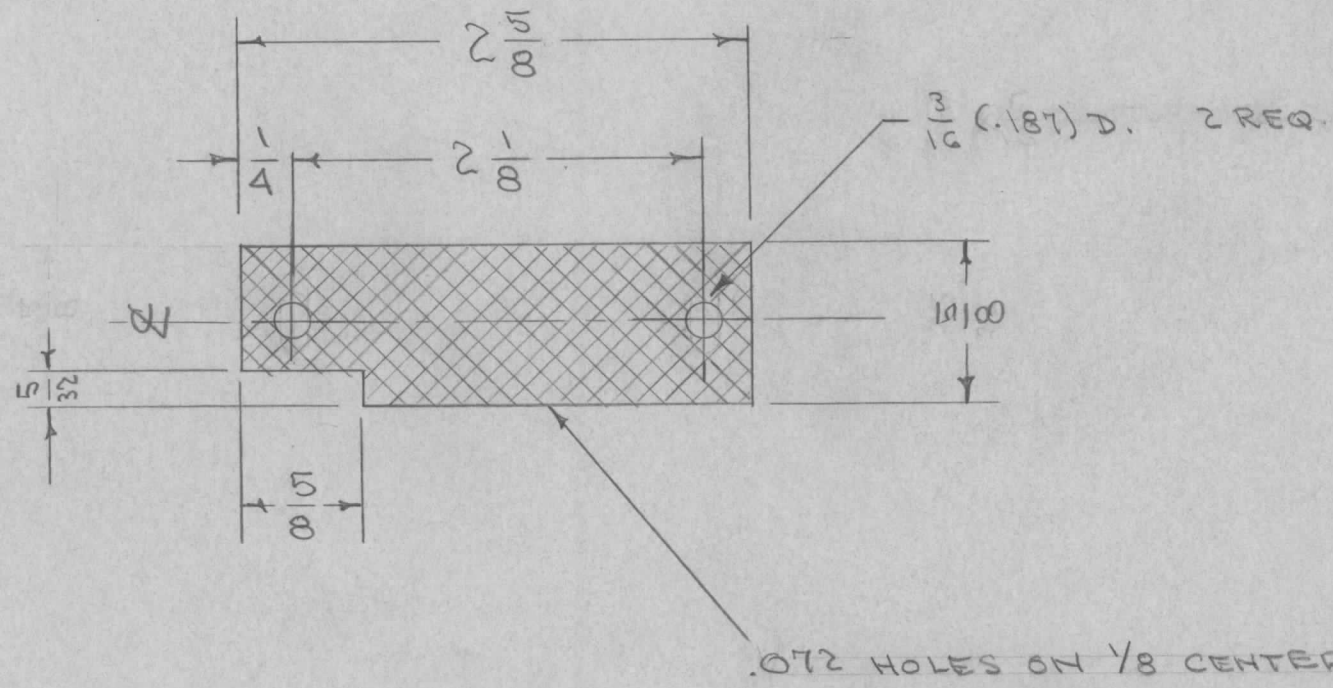


IF IT IS FOUND DESIRABLE TO CHANGE ANY TOLERANCE OR OTHER DETAIL SPECIFIED ON THIS DRAWING NOTIFY THE PURCHASER PROMPTLY.

MS-601 A

MAXIMUM ALLOWABLE TOLERANCES HAVE BEEN DETERMINED AND DEVIATIONS WILL BE CAUSE FOR REJECTION. REMOVE ALL BURRS AND SHARP EDGES

REQ. PER UNIT	USED ON			
	MODEL	PROJECT NO.	ASS'Y. NO.	DATE
1	VOX-1			1-24-55



REQ.	ITEM	PART NO.	DESCRIPTION	SYMBOL
		.051	THE TECHNICAL MATERIEL CORP.	
		STOCK SIZE	MAMARONECK. NEW YORK	
		ALUMINUM	SCREEN, VENTILATING	
		MATERIAL	WEIGHT PER PC.	
		52SH32 PERFORATED		
		TYPE & TEMPER	DRW. 1-24-55	WE
		HEAT TREAT. SPEC.	DRAWN	ELEC. DES. APP.
			CHKD 1-24-55	MECH. DES. APP.
			CHECKED	FINAL APPROVAL
		S404 IRIDITE		MS-601 A
		FINISH & SPEC. NO.		

ISSUE	ITEM	CHANGED FROM	DATE	CN. NO.	DRAFTS	CHECKER	ENG. APP.
A	1	S404- IRIDITE WAS S101- CAUSTIC DIP	12-7 59	1001	VP		EMN

TOLERANCES	SCALE
DEC. DIM. \pm FRAC. DIM. $\pm \frac{1}{64}$ ANGULAR DIM. \pm	DRILL, PUNCH, COMMERCIAL STOCK SIZES AND MANUFACTURERS TOLERANCES ARE NOT INCLUDED.