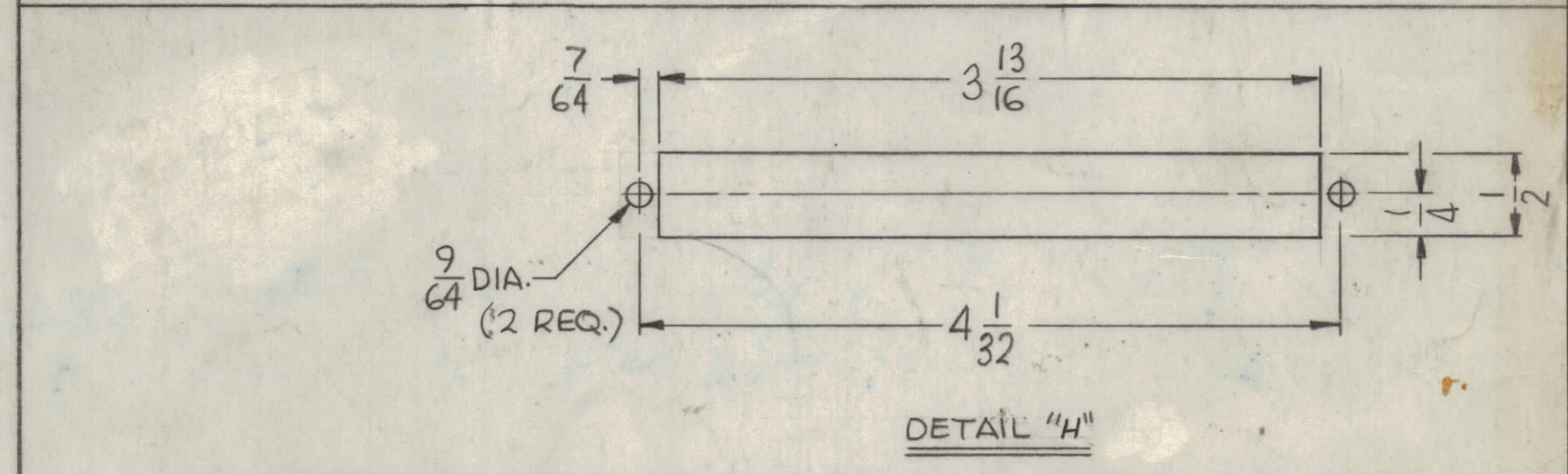
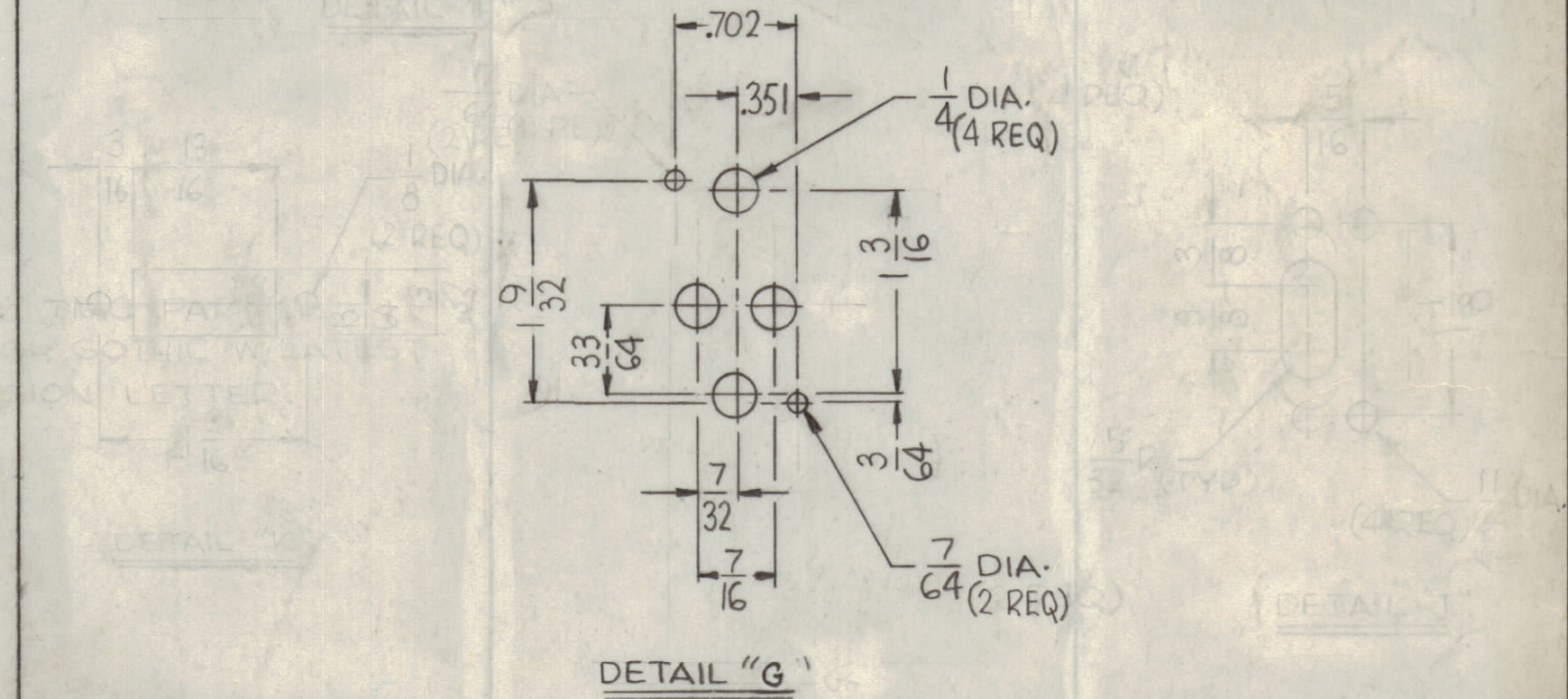
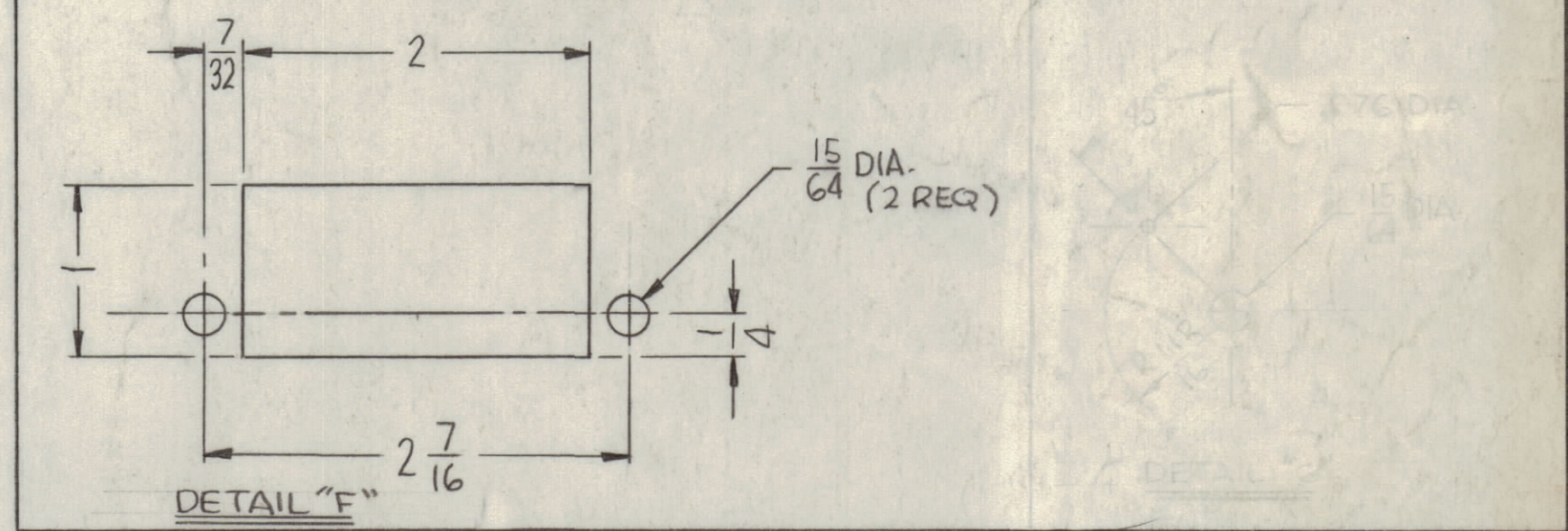


- UNLESS OTHERWISE SPECIFIED:
1. USE MATERIAL THICKNESS FOR MAXIMUM RADIUS ON ALL BENDS
 2. ALL ANGULAR BENDS 90 DEGREES
 3. REMOVE ALL BURRS AND SHARP EDGES
 4. MOUNT INSERTS AFTER FINISHING

REVISIONS						
ZONE	LTR	DESCRIPTION	DATE	E.M.N. NO	DRAFT	CHKD
	X4	COMPLETELY REDRAWN	6-2-67			
	X5	4 M HOLES RELOCATED	8-7-67			
	X6	ADD 4C HOLES, DIM 12 WAS 11-3/4, 12-13/16 WAS 12-9/16	8-9-67			
	X7	COMPLETELY REVISED	10-3-67			
	X8	"J" & "K" HOLES ADDED	10-31-67	X8		
		ORIGINAL RELEASE FOR PRODUCTION	12-6-68			

HOLE	DESCRIPTION	REQ
A	.221-.224 DIA	14
B	9/64 DIA.	4
C	11/64 DIA.	10
D	15/64 DIA.	2
E	7/16 DIA.	1
F	SEE DETAIL	2
G	SEE DETAIL	1
H	SEE DETAIL	5
J	1/2 DIA.	2
K	5/16 DIA	1



RTPH-3		
QTY / UNIT	MODEL USED ON	ASS'Y NO.
1		
APPLICATION		
S401-451	CODE A	
NOTICE TO PERSONS RECEIVING THIS DRAWING		
THE TECHNICAL MATERIEL CORPORATION claims proprietary right in the material disclosed herein. This drawing is issued in confidence for engineering information only and may not be reproduced or used to manufacture anything shown hereon without permission from THE TECHNICAL MATERIEL CORPORATION to the user. This drawing is loaned for mutual assistance and is subject to recall at any time.		

REF: LD2216

TOLERANCES ON	
DECIMALS	FRACTIONS
.X ± .05	± 1/64
.XX ± .01	ANGLES ± 0°-30'
.XXX ± .005	

FINISH: S404 YELLOW IRIDITE

QTY. REQ.	ITEM	PART NO.	DESCRIPTION	SYMBOL
14	1	NT129-832-4	NUT, PLAIN, SPLINE	A

THE TECHNICAL MATERIEL CORP.
MAMARONECK, NEW YORK

CHASSIS, MAIN

SIZE	CODE IDENT. NO.	DWG NO.	ISSUE
D	82679	MS6084	

SCALE 1:1 SHEET OF