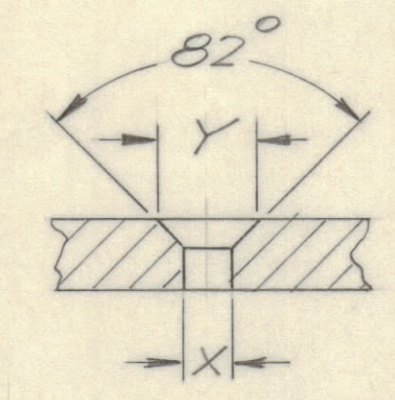


REVISIONS							
E.M.N.O.	DRAFT	CHKD	ZONE	LTR	DESCRIPTION	DATE	APPROVED
	ELH	YAB		X	EXP. RELEASE	8/5/70	
	CS			B	ORIGINAL RELEASE	8/9/73	

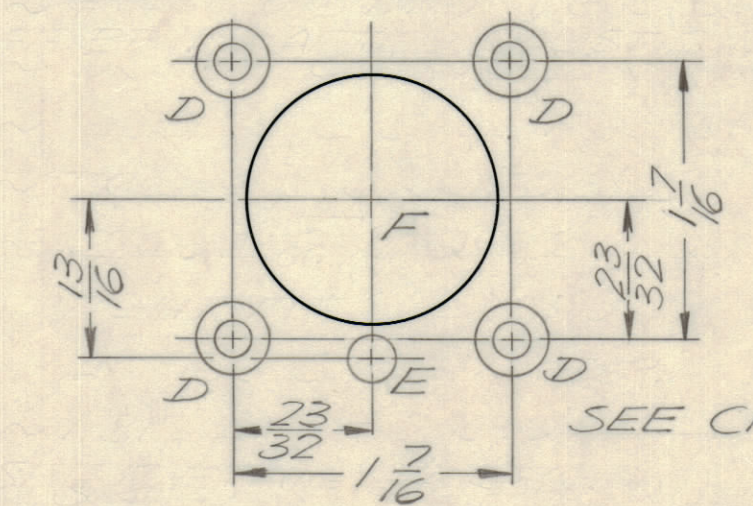
HOLE LEGEND

A ~ # 47 (.078 DIA.) 3 REQ.
 B ~ DRILL & C'SINK FOR # 4 FHS 4 REQ.
 C ~ DRILL & C'SINK FOR # 6 FHS 12 REQ.
 D ~ DRILL & C'SINK FOR # 10 FHS 8 REQ. } SEE CHART



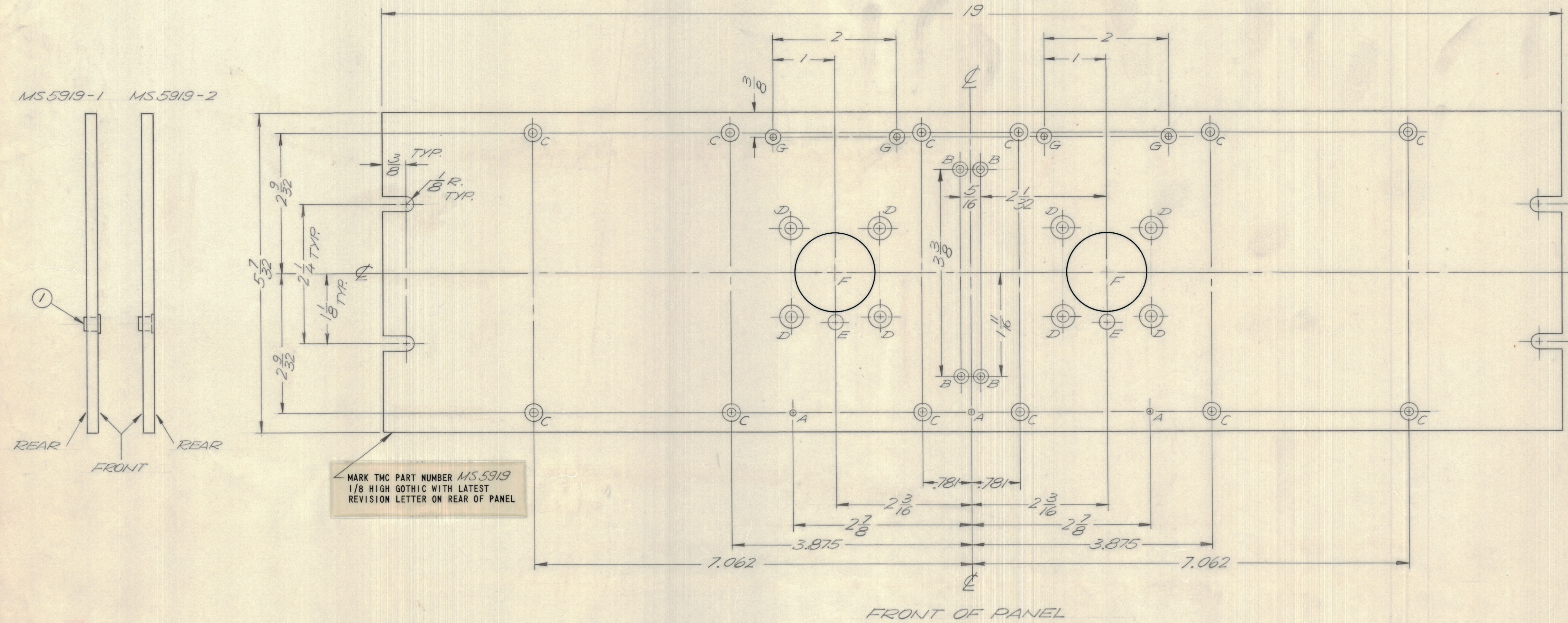
DIM.	# 4 FHS	# 6 FHS	# 10 FHS
X	# 31 (.120)	.144	# 9 (.196)
Y	.230	.284	.390

E ~ .246 \pm .002 DIA. 2 REQ.
 DRILL FOR TIGHT FIT (CLASS 6)
 OFF BB-115 AFTER CAUSTIC DIP.
 F ~ 1.312 DIA. 2 REQ.



G ~ 4 REQ.

 DRILL & TAP # 3-48



FRONT OF PANEL

CHART "A"

TMC P/N	"D" HOLES	"E" HOLES
MS 5919-1	C'SINK FOR # 10 FHS	AS SHOWN
MS 5919-2	13/64 D. CLEARANCE FOR # 10 SCREW	C'BORE 11/32 X 1/16 DEEP FROM REAR

FINISH NOTES:

- S 404 - IRIDITE 14-2 AL-COAT.
 - S 114 - ZINC CHROMATE PRIMER } FRONT AND EDGES ONLY
 - S 115 - SMOOTH GRAY ENAMEL } EDGES ONLY
- OR
 PRIME AND PAINT PER CUSTOMER'S SPECIFICATIONS
- NOTE THAT ALL "E" HOLES MUST BE FREE OF PAINT.

QTY / UNIT	MODEL USED ON	ASS'Y NO.
1	QDP-FX5875C2S2	
APPLICATION		
CODE		
NOTICE TO PERSONS RECEIVING THIS DRAWING		
THE TECHNICAL MATERIEL CORPORATION claims proprietary right in the material disclosed herein. This drawing is issued in confidence for engineering information only and may not be reproduced or used to manufacture anything shown herein without permission from THE TECHNICAL MATERIEL CORPORATION to the user. This drawing is loaned for mutual assistance and is subject to recall at any time.		

TOLERANCES ON	
DECIMALS	FRACTIONS
X \pm .05	\pm 1/64
.XX \pm .01	ANGLES
.XXX \pm .005	\pm 0° - 30°

QTY. REQ.	ITEM	PART NO.	DESCRIPTION	SYMBOL
2	1	BB 115	BEARING, OILITE	

LIST OF MATERIAL

FINAL APPROVAL		DATE
MECH. DES.	<i>[Signature]</i>	8-5-70
ELECT. DES.		
CHECKED	<i>[Signature]</i>	8-5-70
DRAWN	<i>[Signature]</i>	

THE TECHNICAL MATERIEL CORP.
 MAMARONECK, NEW YORK

FRONT PANEL, MACHINING

SIZE	CODE IDENT NO.	DWG NO.	ISSUE
D	82679	MS 5919	1

SCALE 1:1 SHEET OF