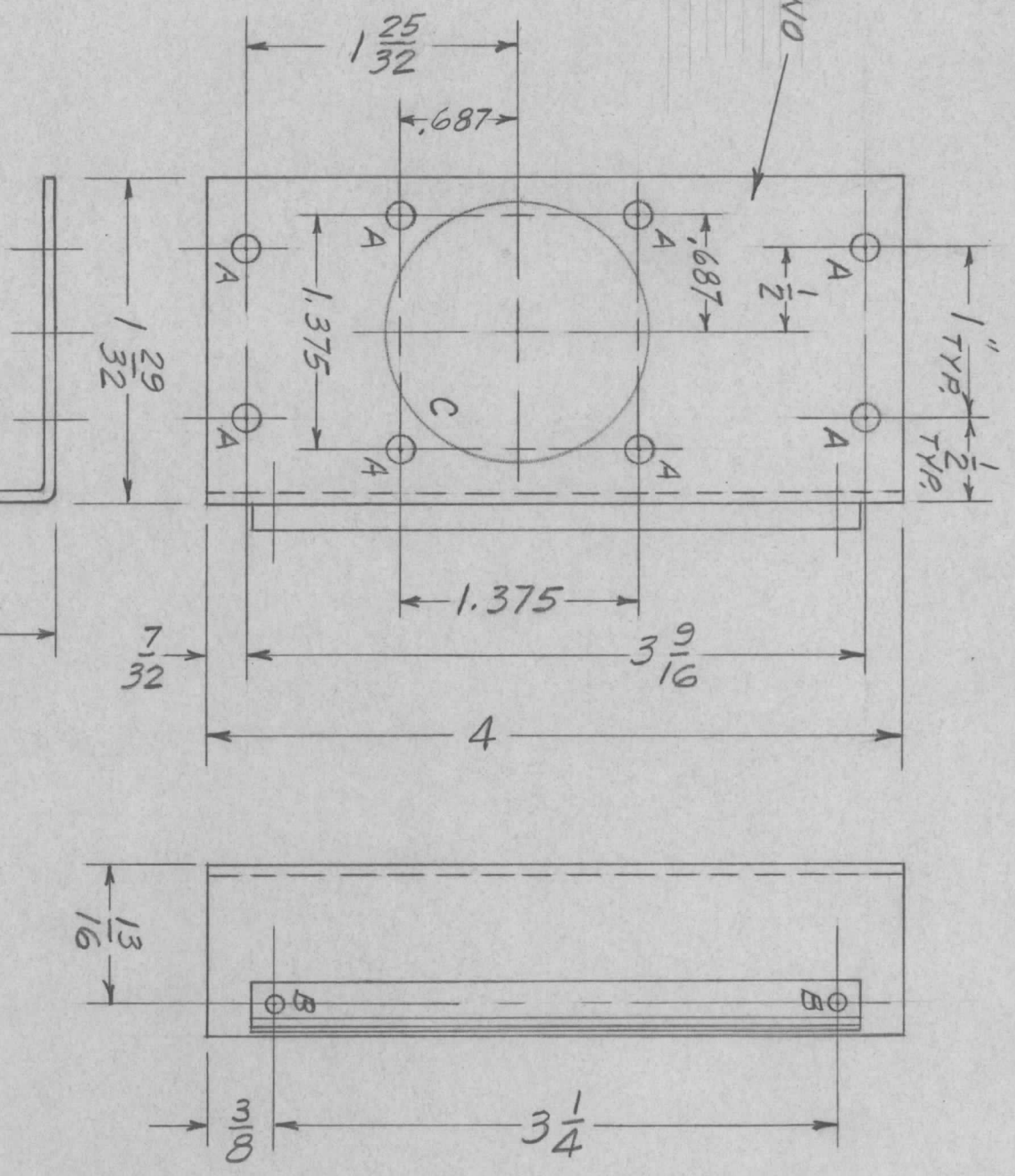


REVISIONS						
ZONE	LTR	DESCRIPTION	DATE	E.M.N.NO	DRAFT	CHKD
	Ø	ORIG RELEASE FOR PROD	6/9/70		CV	

MARK TMC P/NO
1/8 HIGH GOTHIC
WITH LATEST
REV. LETTERS



HOLE	DESCRIPTION	REQ
A	1/64 DIA.	8
B	.067 DIA.	2
C	1 1/32 DIA	1

1 MOUNT IN
2 "B" HOLES

UNLESS OTHERWISE SPECIFIED:

- USE MATERIAL THICKNESS FOR MAXIMUM RADIUS ON ALL BENDS.
- ALL ANGULAR BENDS 90 DEGREES.
- REMOVE ALL BURRS AND SHARP EDGES.
- MOUNT IT. 1 & 2 AFTER FINISHING.

QTY / UNIT	1	MODEL USED ON	KIT 363	ASS'Y NO.	
APPLICATION		CODE			

NOTICE TO PERSONS RECEIVING THIS DRAWING
THE TECHNICAL MATERIEL CORPORATION claims proprietary right in the material disclosed hereon. This drawing is issued in confidence for engineering information only and may not be reproduced or used to manufacture anything shown hereon without permission from THE TECHNICAL MATERIEL CORPORATION to the user. This drawing is loaned for mutual assistance and is subject to recall at any time.

UNLESS OTHERWISE SPECIFIED DIMENSIONS ARE IN INCHES AND INCLUDE CHEMICALLY APPLIED OR PLATED FINISHES	DECIMALS	FRACTIONS
.X ± .05	1/64	ANGLES
.XX ± .01		0° - 30'
.XXX ± .005		
MATERIAL	5052 H 32	FINISH
		5404
		YEL. IRIDITE

REQ'D ITEM	PART NUMBER	DESCRIPTION	SYM.	
1	2	CU 157-4	RETAINER PC BOARD	B
2	1	EY 100-5	EYELET, FLAT FLANGE	B

LIST OF MATERIAL
THE TECHNICAL MATERIEL CORP.
MAMARONECK, NEW YORK

FINAL APPROVAL	DATE	6/9/70	
MECH. DES.	DATE		
ELECT. DES.	DATE		
CHECKED	DATE	6/9/70	
DRAWN	DATE		
SIZE	CODE IDENT. NO.	DWG NO.	ISSUE
B	82679	MS 5914	Ø
SCALE	1:1	SHEET	OF