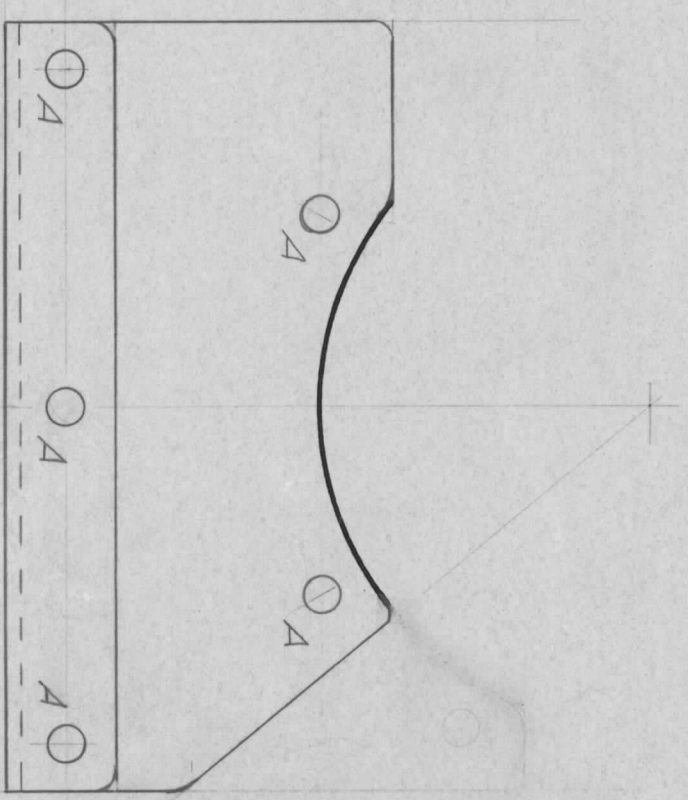
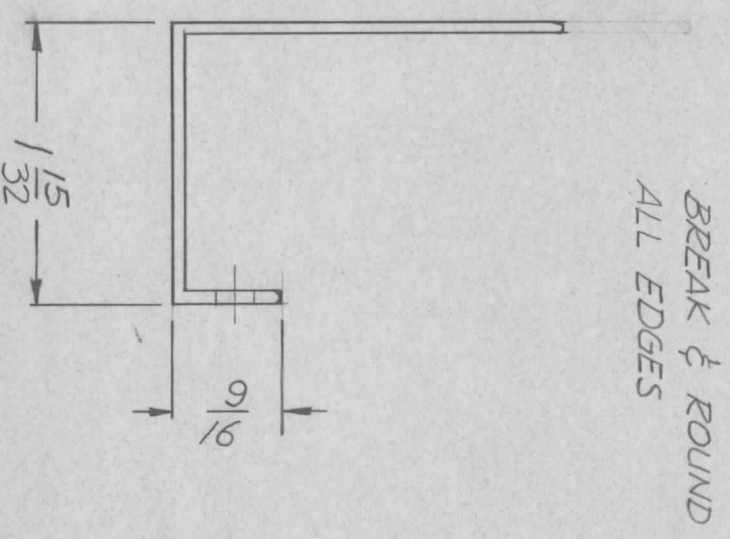
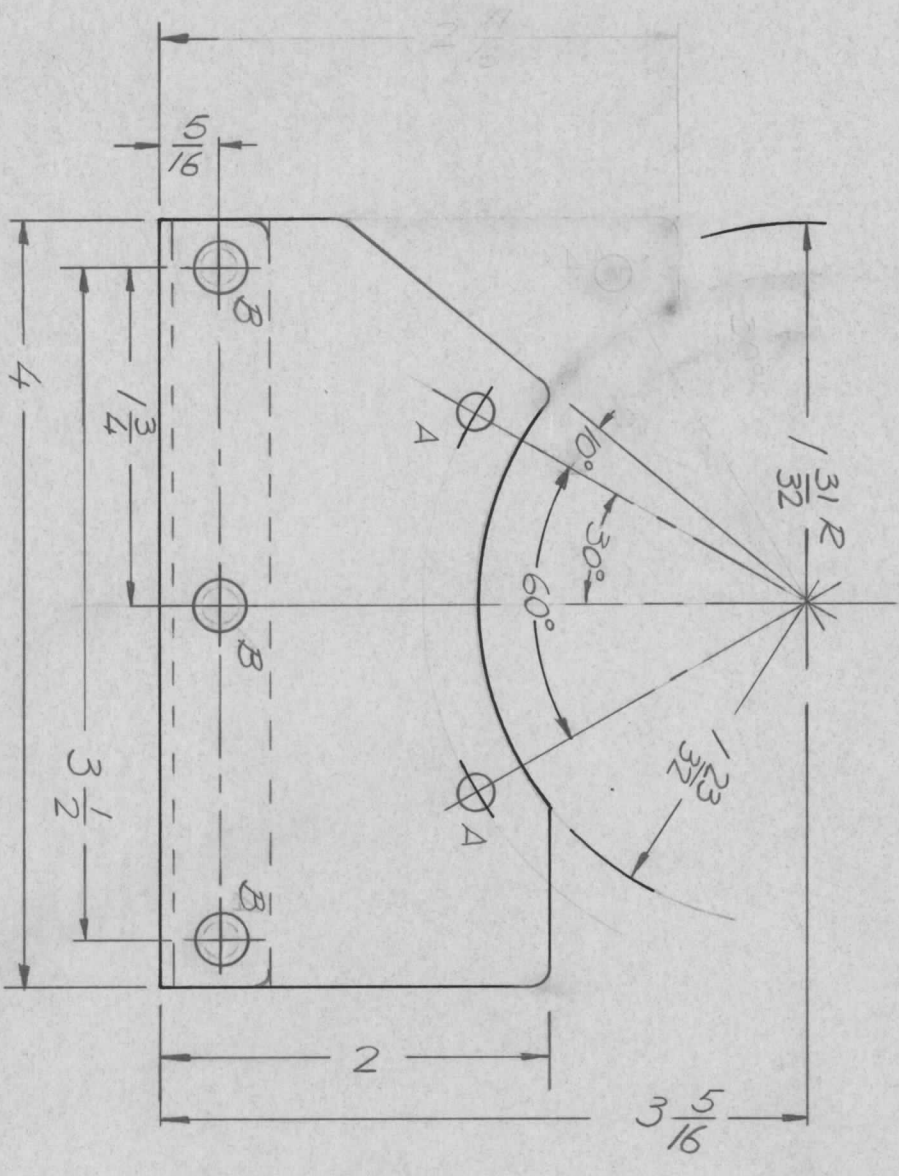


NO LONGER REQUIRED

REVISIONS						
ZONE	LTR	DESCRIPTION	DATE	E.M.N.NO	DRAFT	CHKD
X	X	EXP RELEASE	9-11-69		GE	AK
X	X	ADD. 10° CUTOFF	11-20-69		GE	
Ø	Ø	ORIGINAL RELEASE	11-11-70		Ø	
A	A	NOTE "NO LONGER READ" ADD	3-7-74	21143	GD	A



A HOLES 1/4 DIA.
B HOLES 1/4 DIA.

QTY / UNIT	MODEL USED ON	ASS'Y NO.
1	PALA-10K	A# 146
APPLICATION		
CODE		

UNLESS OTHERWISE SPECIFIED DIMENSIONS ARE IN INCHES AND INCLUDE CHEMICALLY APPLIED OR PLATED FINISHES	FRACTIONS 1/64
DECIMALS .X ± .05	TOLS. ANGLES 0° .30'
.XX ± .01	
.XXX ± .005	
MATERIAL .063 ALUM	5052 H32
FINISH S404	YEL. IRIDITE

REQ'D ITEM	PART NUMBER	DATE
F. BUDETTI		11-2-70
MECH. DES.	DATE	11-2-70
ALP		
ELECT. DES.	DATE	3-11-69
DRAWN	G. EVANGELIST	

LIST OF MATERIAL	DESCRIPTION	SYM.
THE TECHNICAL MATERIEL CORP.		
MAMARONECK, NEW YORK		
GROUNDING BRACKET		
IPB BAND SWITCH		
SIZE	CODE IDENT. NO.	DWG. NO.
B	82679	MS 5609
SCALE	SHEET	OF
		A

NOTICE TO PERSONS RECEIVING THIS DRAWING
THE TECHNICAL MATERIEL CORPORATION claims proprietary right in the material disclosed hereon. This drawing is issued in confidence for engineering information only and may not be reproduced or used to manufacture anything shown hereon without permission from THE TECHNICAL MATERIEL CORPORATION to the user. This drawing is loaned for mutual assistance and is subject to recall at any time.