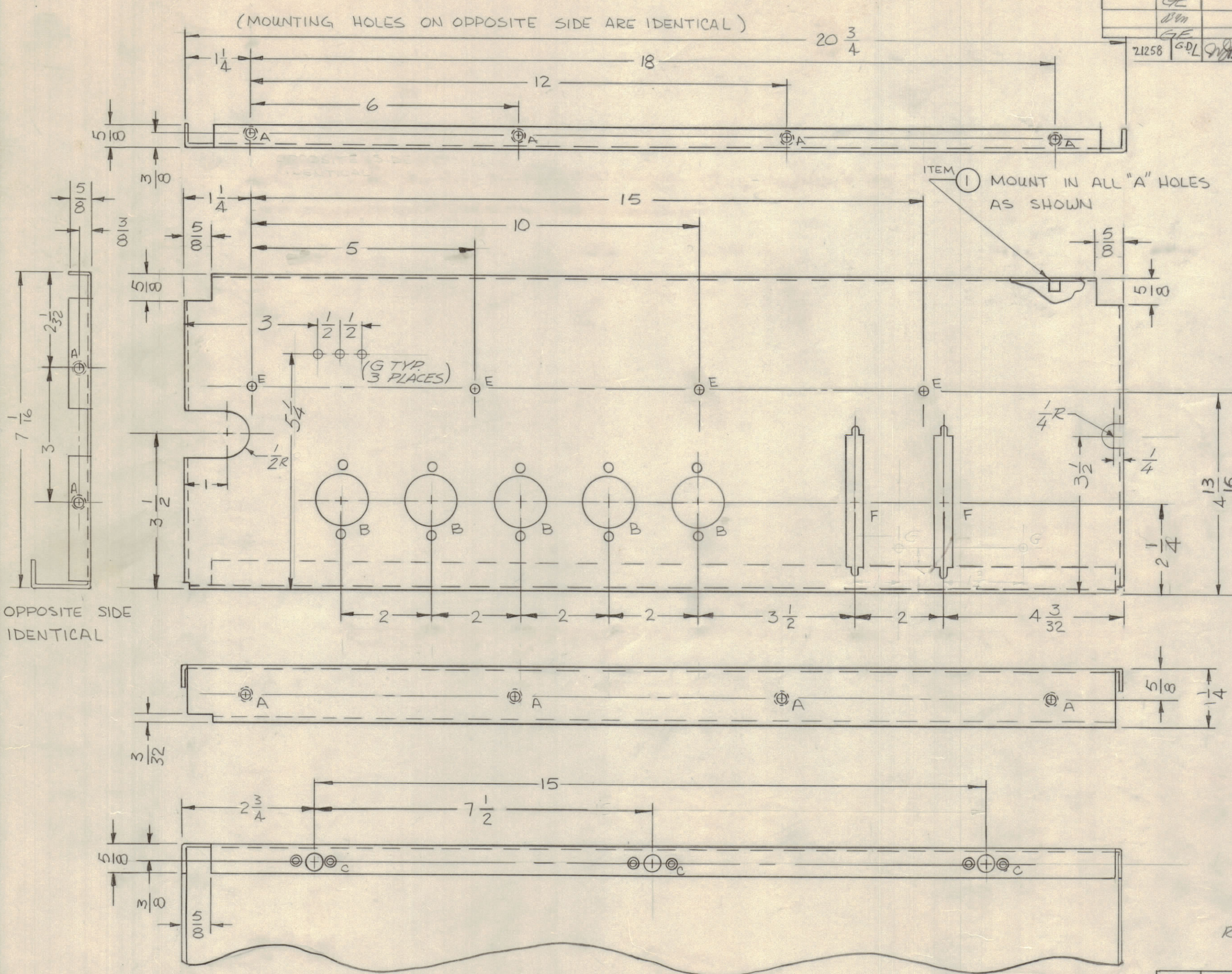
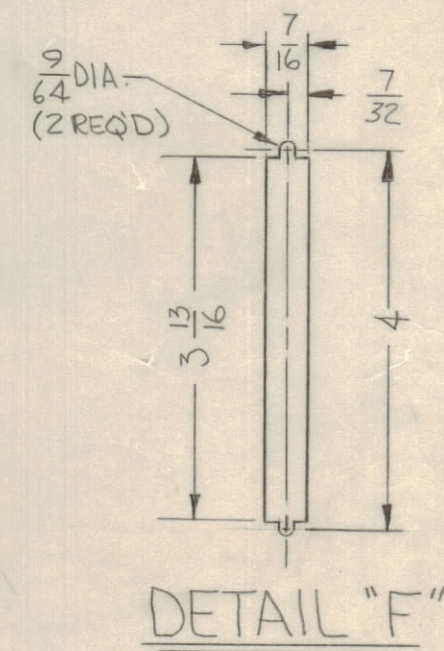
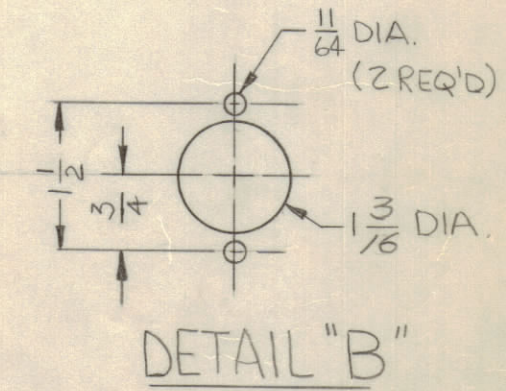
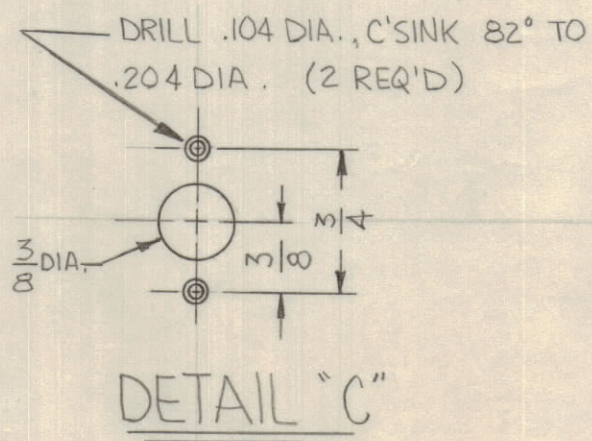


REVISIONS							
E.M.N.O	DRAFT	CHKD	ZONE	LTR	DESCRIPTION	DATE	APPROVED
				X ₁	ADDED 1 "C" HOLE	8-14-69	
				X ₂	CHG'D DIMS FR 21, 1 1/2, 1 1/2 & 3 TO 20 3/4, 1 1/4, 1 1/4 & 2 3/4	8-15-69	
	GE			X ₃	ADD 4 G.HLS. & 1/4 RADIUS CUTOUT ON RIGHT SIDE	8-25-69	
	GE			X ₄	DIA OF 1 1/2 CHG TO 1 3/16 (DET B)	9-3-69	
	DM			X ₅	ADD 1 G.HOLE	10-27-69	bal
	GE			Ø	ORIGINAL RELEASE FOR PROD.	1-14-70	
21258	CDL	9/18	2C	A	DIMS 2 1/4 WAS 2 1/2 & 4 1/16 WAS 4 3/4	7-10-75	Cl.



HOLE	DESCRIPTION	REQ'D
A	.191 - .194 DIA.	12
B	SEE DETAIL	5
C	SEE DETAIL	3
D	DELETED	
E	3/16 DIA.	4
F	SEE DETAIL	2
G	9/64 DIA.	3



REF: LD2369

- UNLESS OTHERWISE SPECIFIED:
- USE MATERIAL THICKNESS FOR MAXIMUM RADIUS ON ALL BENDS.
 - ALL ANGULAR BENDS 90 DEGREES.
 - REMOVE ALL BURRS AND SHARP EDGES.
 - MOUNT INSERTS AFTER FINISHING.

1	HFTA 10KC	BMA408
QTY / UNIT	MODEL USED ON	ASS'Y NO.
APPLICATION		
CODE		

NOTICE TO PERSONS RECEIVING THIS DRAWING
 THE TECHNICAL MATERIEL CORPORATION claims proprietary right in the material disclosed herein. This drawing is issued in confidence for engineering information only and may not be reproduced or used to manufacture anything shown hereon without permission from THE TECHNICAL MATERIEL CORPORATION to the user. This drawing is loaned for mutual assistance and is subject to recall at any time.

UNLESS OTHERWISE SPECIFIED DIMENSIONS ARE IN INCHES AND INCLUDE CHEMICALLY APPLIED OR PLATED FINISHES

TOLERANCES ON
 DECIMALS .X ± .05
 .XX ± .01
 .XXX ± .005
 FRACTIONS ± 1/64
 ANGLES ± 0° -30°

MATERIAL .064 ALUM. 5052-H32
 FINISH 5404 YELLOW IRIDITE

12	1	NT129-0632-4	NUT, ROUND, SWAGE TYPE	A
QTY. REQ.	ITEM	PART NO.	DESCRIPTION	SYMBOL
F. BUDETTI LIST OF MATERIAL				
FINAL APPROVAL		DATE	THE TECHNICAL MATERIEL CORP.	
MECH. DES. ALP.		DATE 1-12-70	MAMARONECK, NEW YORK	
ELECT. DES.		DATE	CHASSIS, RELAY (EXCITER DRAWER)	
CHECKED		DATE	SIZE CODE IDENT NO. DWG NO.	
DRAWN		DATE 7-1-69	C 82679 MS5595	
MATERIAL			ISSUE	A
FINISH			SCALE NOT TO SCALE	SHEET OF

MS 5595
A
B