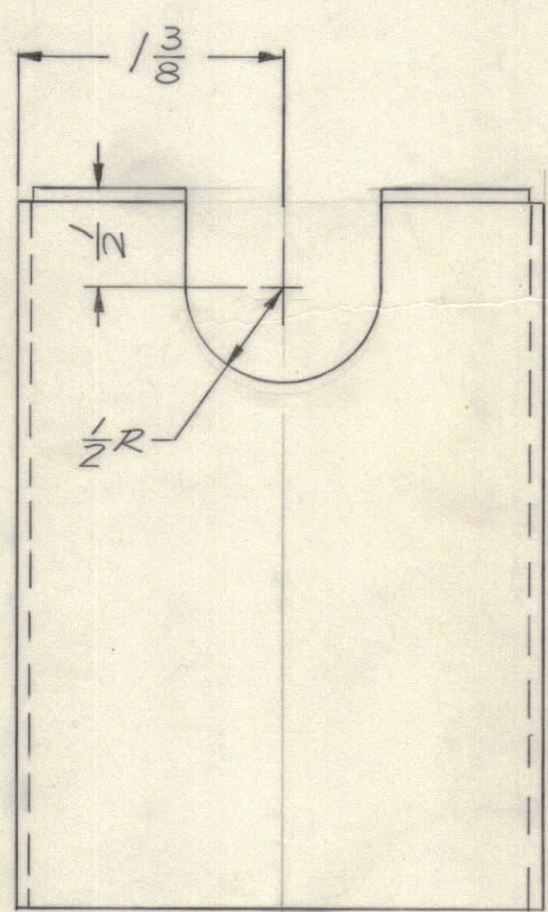
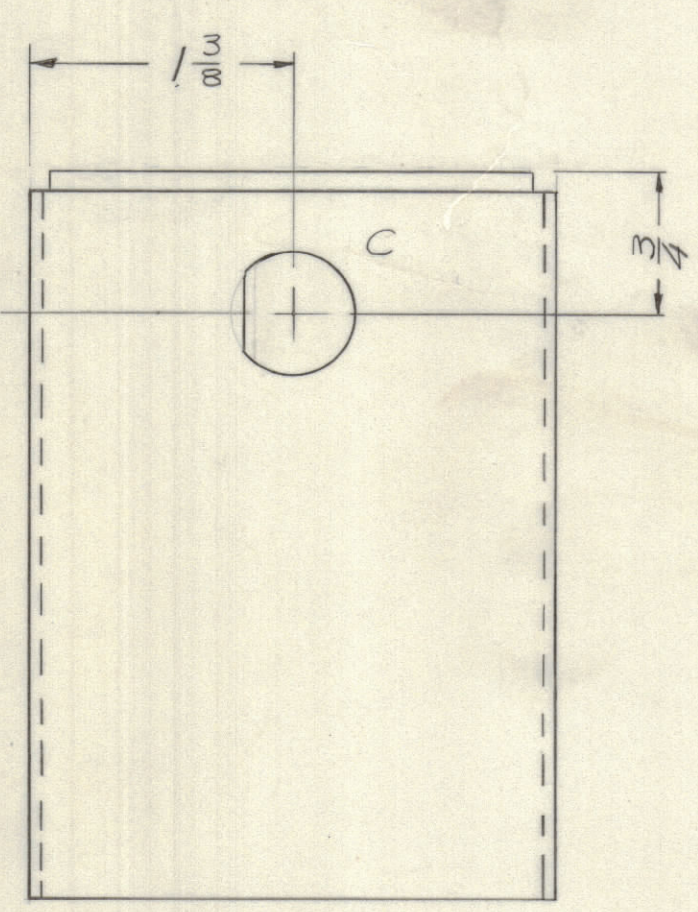
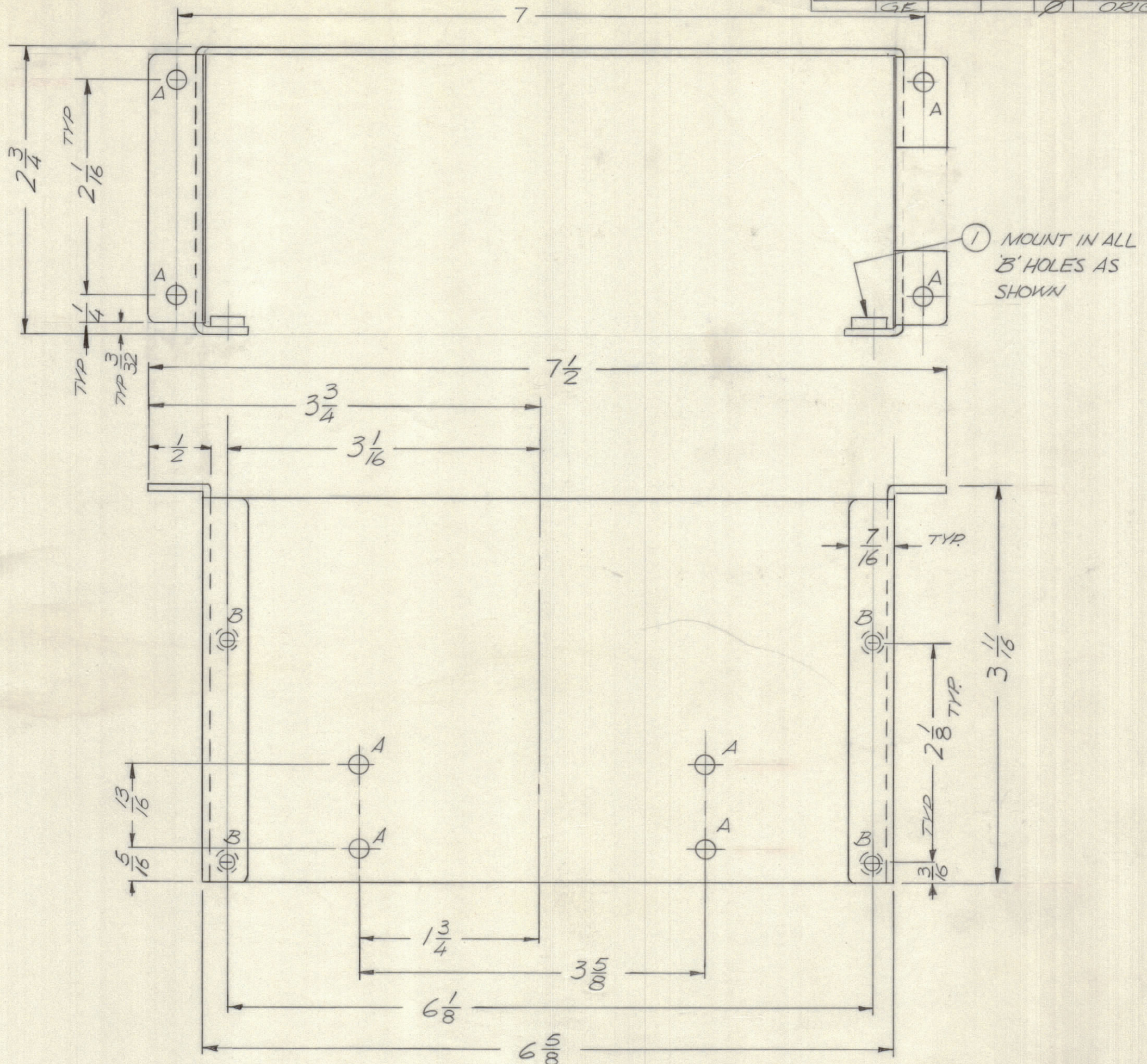
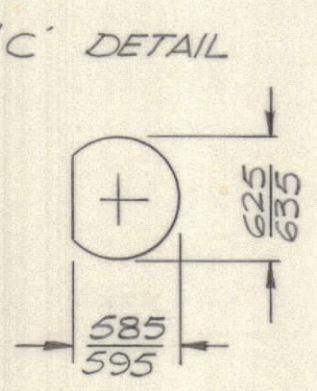


REVISIONS							
E.M.N.NO	DRAFT	CHKD	ZONE	LTR	DESCRIPTION	DATE	APPROVED
GE				X3	COMPLETELY REDRAWN	9-10-69	
GE				Ø	ORIGINAL RELEASE FOR PROD.	1/4 70	



HOLE	DESCRIPTION	QTY
A	1/64 DIA.	8
B	.161-.164 DIA.	4
C	SEE DETAIL	1



QTY / UNIT	MODEL USED ON	ASS'Y NO.
1	PALA 10K	AX5095
APPLICATION		
CODE		

NOTICE TO PERSONS RECEIVING THIS DRAWING
 THE TECHNICAL MATERIEL CORPORATION claims proprietary right in the material disclosed herein. This drawing is issued in confidence for engineering information only and may not be reproduced or used to manufacture anything shown hereon without permission from THE TECHNICAL MATERIEL CORPORATION to the user. This drawing is loaned for mutual assistance and is subject to recall at any time.

REF: LD2390

UNLESS OTHERWISE SPECIFIED DIMENSIONS ARE IN INCHES AND INCLUDE CHEMICALLY APPLIED OR PLATED FINISHES	
TOLERANCES ON	
DECIMALS	FRACTIONS
.X ± .05	± 1/64
.XX ± .01	ANGLES
.XXX ± .005	± 0° -30°
MATERIAL	.063. ALUM 5052 H32
FINISH	S404 YEL. IRIDITE

QTY. REQ.	ITEM	PART NO.	DESCRIPTION	SYMBOL
4	1	NT 129 440-3	NUT, ROUND, SWAGE TYPE	B

F. BUDETTI LIST OF MATERIAL

FINAL APPROVAL: *[Signature]* DATE: 1-12-70
 MECH. DES. *[Signature]* DATE: 1-12-70
 ELECT. DES. *[Signature]* DATE: 1-8-70
 CHECKED: *[Signature]* DATE:
 DRAWN: GEVANGELIST DATE: 9-10-69

THE TECHNICAL MATERIEL CORP.
 MAMARONECK, NEW YORK

CHASSIS WRAPAROUND
 (REMOTE PWR ASSY)

SIZE	CODE IDENT NO.	DWG NO.	ISSUE
C	82679	MS 5570	Ø

SCALE 1:1 SHEET OF