

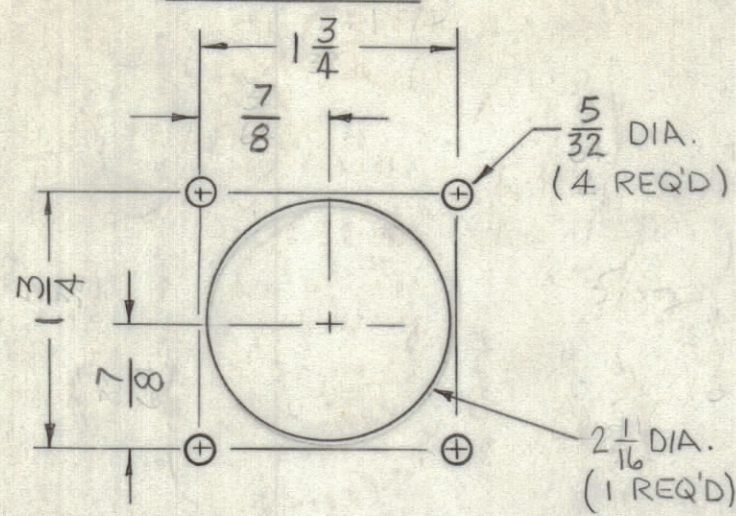
4

3

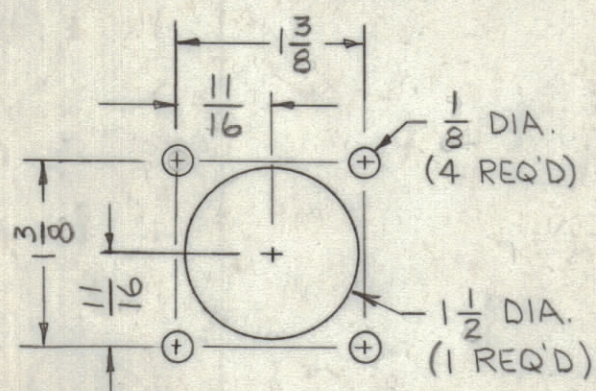
2

1

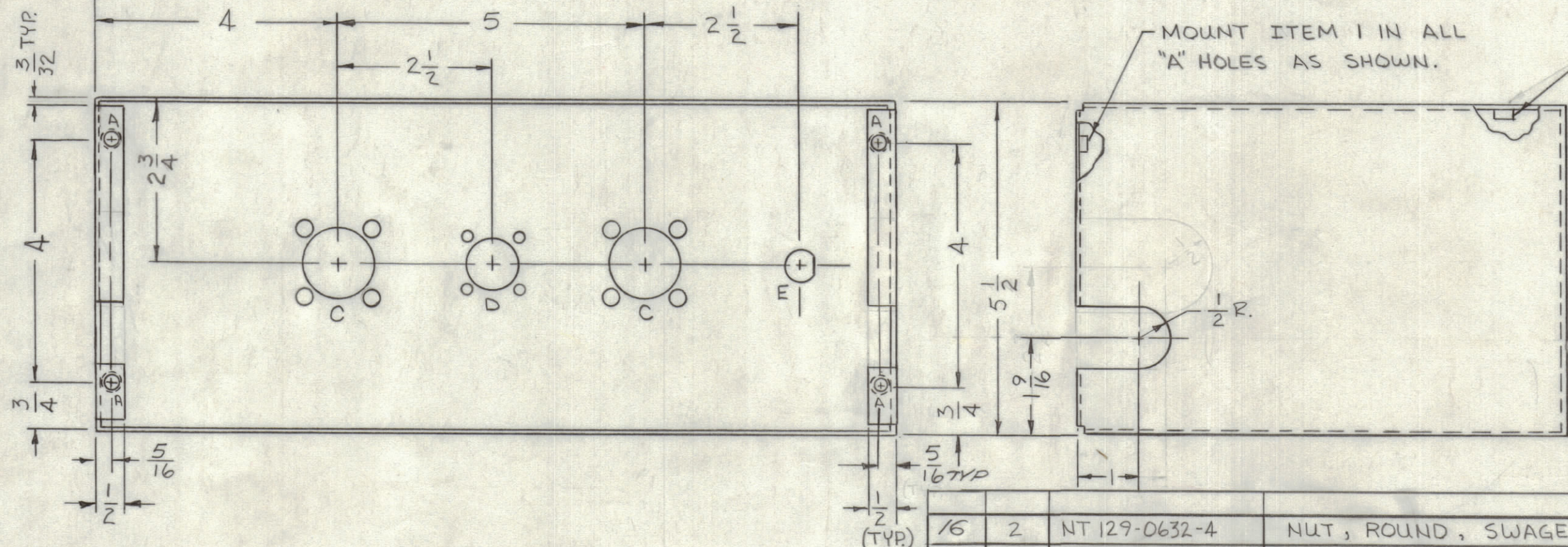
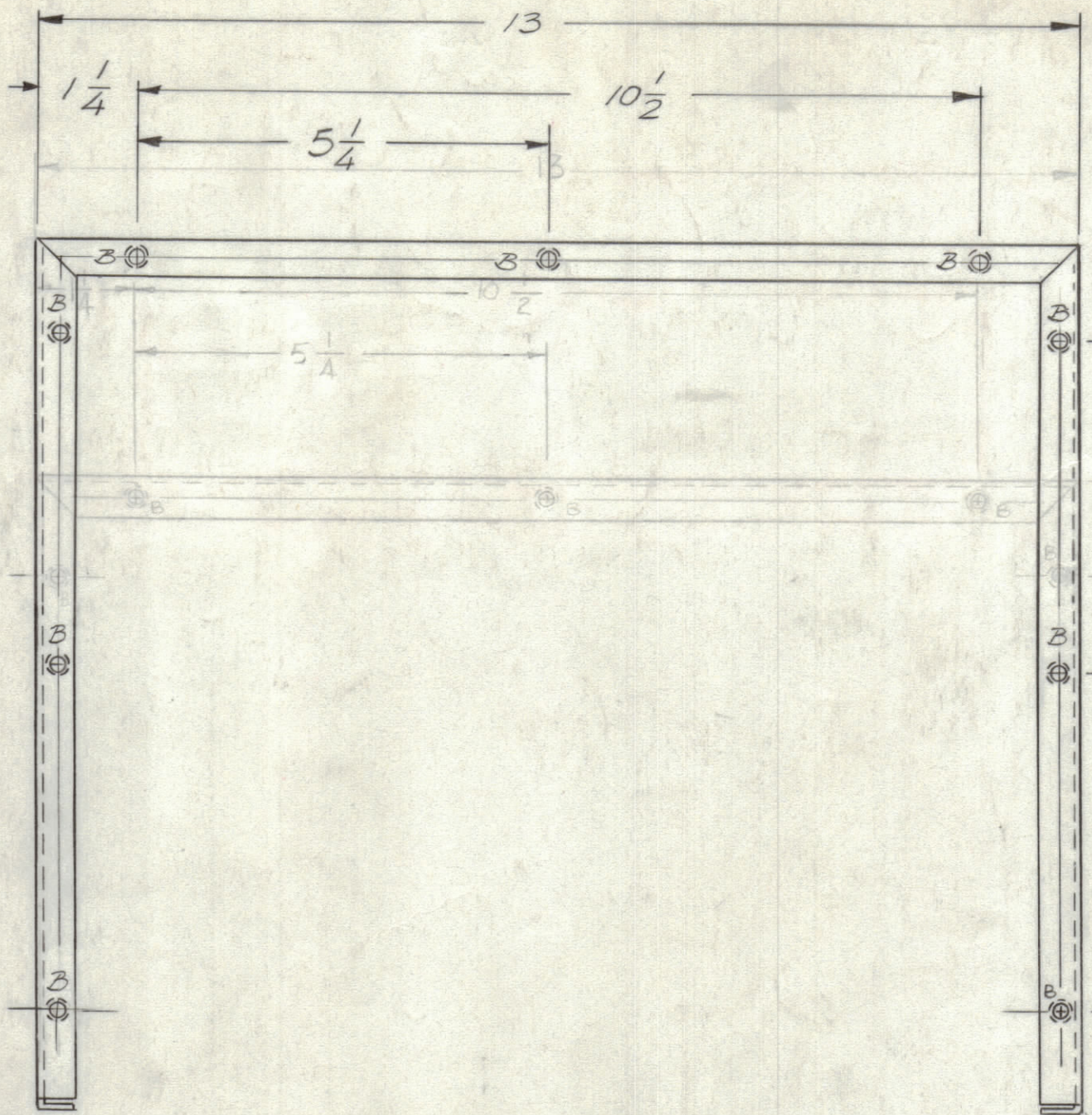
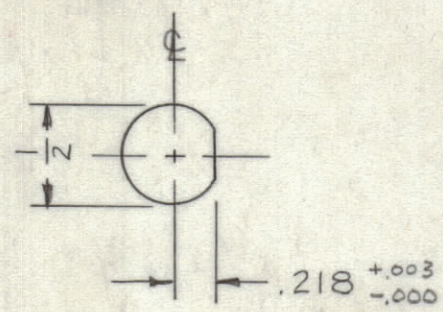
DETAIL "C"



DETAIL "D"



DETAIL "E"



REVISIONS						
ZONE	LTR	DESCRIPTION	DATE	E.M.N.NO	DRAFT	CHKD APPD
	X ₁	REDRAWN, "E" HOLE ADDED	5-26-69		RE	
	X ₂	REVISED "C" & "D" DETAILS	5-26-69		RE	
	X ₃	RELOC NOTCH & CHG'D 2" DIM ON DETAIL "C"	8-22-69		RE	
	X ₄	ADD 2 "B" HLS, CHG QTY TO 16 ON NT 129 0632	8-26-69		GE	
	Ø	ORIGINAL RELEASE FOR PRODUCTION	1/11/70		W	

HOLE	DESCRIPTION	REQ'D
A	.221-.224 DIA	4
B	.191-.194 DIA	16
C	SEE DETAIL	2
D	SEE DETAIL	1
E	SEE DETAIL	1

MOUNT ITEM 1 IN ALL "A" HOLES AS SHOWN.

MOUNT ITEM 2 IN ALL "B" HOLES AS SHOWN.

OPPOSITE SIDE IDENTICAL

QTY. REQ.	ITEM	PART NO.	DESCRIPTION	SYMBOL
16	2	NT 129-0632-4	NUT, ROUND, SWAGE TYPE	B
4	1	NT 129-082-4	NUT, ROUND, SWAGE TYPE	A

F. BUDETTI LIST OF MATERIAL

UNLESS OTHERWISE SPECIFIED DIMENSIONS ARE IN INCHES AND INCLUDE CHEMICALLY APPLIED OR PLATED FINISHES	FINAL APPROVAL <i>0003</i>	DATE 1-12-70
TOLERANCES ON	MECH. DES. <i>ALP.</i>	DATE 1-12-70
DECIMALS .X ± .05	ELECT. DES. <i>AGC</i>	DATE 1-8-70
FRACTIONS ± 1/64	CHECKED	DATE
ANGLES ± 0° -30'	DRAWN <i>RE</i>	DATE 5-26-69

THE TECHNICAL MATERIEL CORP. MAMARONECK, NEW YORK

CHASSIS-AUDIO INPUT

1	FAP1480K	AX5101
QTY / UNIT	MODEL USED ON	ASS'Y NO.
APPLICATION		
CODE		

NOTICE TO PERSONS RECEIVING THIS DRAWING THE TECHNICAL MATERIEL CORPORATION claims proprietary right in the material disclosed hereon. This drawing is issued in confidence for engineering information only and may not be reproduced or used to manufacture anything shown hereon without permission from THE TECHNICAL MATERIEL CORPORATION to the user. This drawing is loaned for mutual assistance and is subject to recall at any time.

MATERIAL .064 ALUM. 5052-H32 FINISH SA04 - YELLOW IRIDITE

SIZE	CODE IDENT.NO.	DWG NO.	ISSUE
C	82679	MS5542	Ø
SCALE DO NOT SCALE			SHEET OF

4

3

2

1

MS5542

A