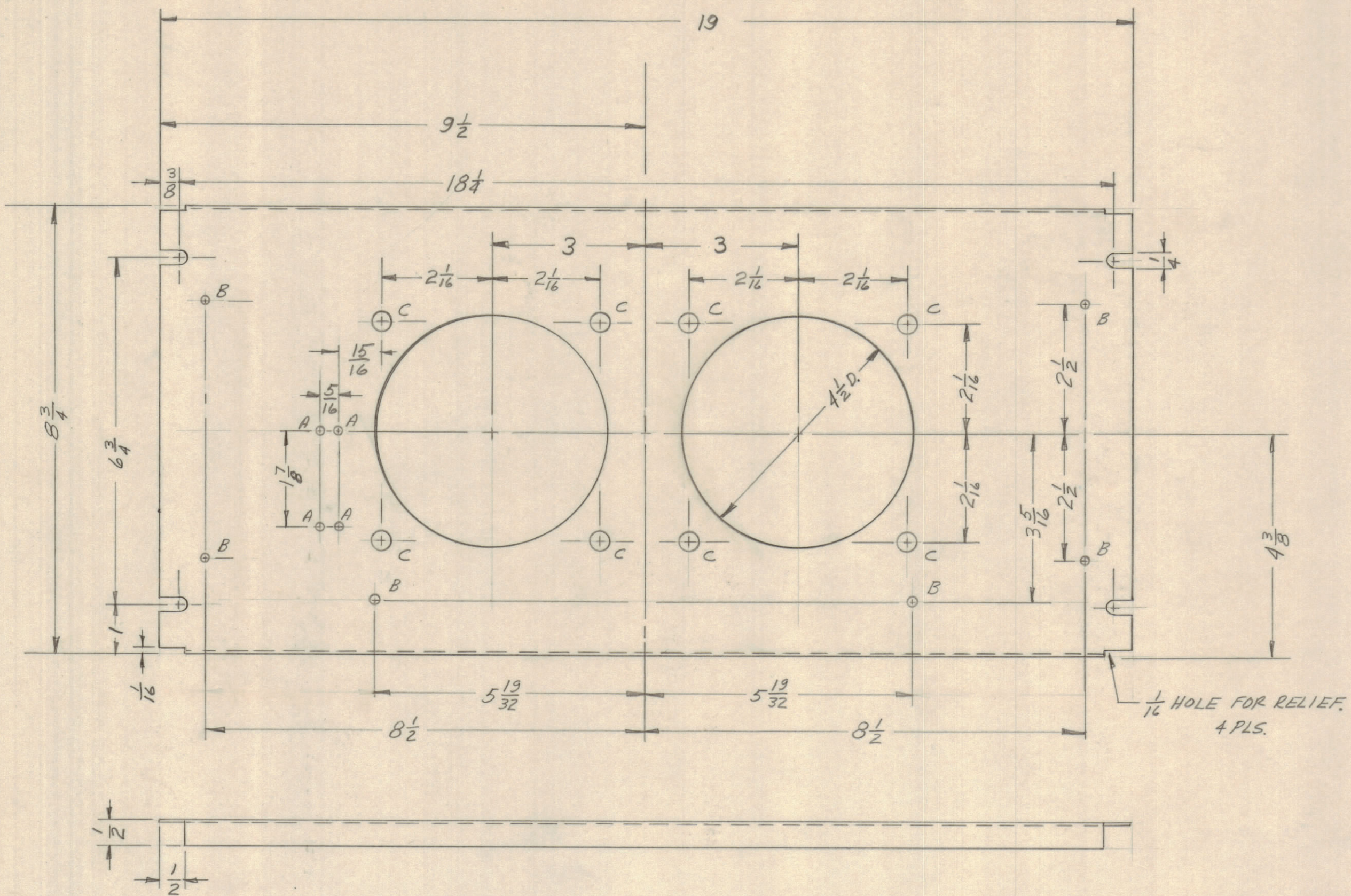


REVISIONS							
E.M.N.NO	DRAFT	CHKD	ZONE	LTR	DESCRIPTION	DATE	APPROVED
				Ø	ORIGINAL RELEASE FOR PRODUCTION	5/22/69	



- A ~ 9/64 D. 4 REQ.
- B ~ 1/4 D. 6 REQ.
- C ~ 3/8 D. 8 REQ.

**FINISH NOTES:**

- S404 - IRIDITE 14-2 AL-COAT.
- S114 - ZINC CHROMATE PRIMER
- S520 - TEXTURED BLUE

OR  
PRIME AND PAINT PER CUSTOMER'S SPECIFICATIONS.

} ALL SURFACES

1	RAK136-D	A4797-1
QTY / UNIT	MODEL USED ON	ASS'Y NO.
APPLICATION		
	CODE	

**NOTICE TO PERSONS RECEIVING THIS DRAWING**

THE TECHNICAL MATERIEL CORPORATION claims proprietary right in the material disclosed hereon. This drawing is issued in confidence for engineering information only and may not be reproduced or used to manufacture anything shown hereon without permission from THE TECHNICAL MATERIEL CORPORATION to the user. This drawing is loaned for mutual assistance and is subject to recall at any time.

UNLESS OTHERWISE SPECIFIED DIMENSIONS ARE IN INCHES AND INCLUDE CHEMICALLY APPLIED OR PLATED FINISHES

**TOLERANCES ON**

DECIMALS	FRACTIONS
.X ± .05	± 1/64
.XX ± .01	ANGLES
.XXX ± .005	± 0° -30'

MATERIAL .081 ALUM

5052-H32

FINISH SEE NOTE

QTY. REQ.	ITEM	PART NO.	DESCRIPTION	SYMBOL
LIST OF MATERIAL				
FINAL APPROVAL		DATE	<b>THE TECHNICAL MATERIEL CORP.</b> MAMARONECK, NEW YORK  <i>CHASSIS, BLOWER</i>	
MECH. DES.		DATE		
ELECT. DES.		DATE		
CHECKED		DATE		
DRAWN		DATE		
SIZE	CODE IDENT NO.	DWG NO.	ISSUE	
C	82679	M55483	Ø	
SCALE			SHEET	OF