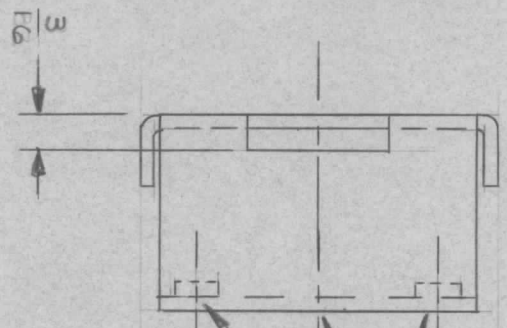
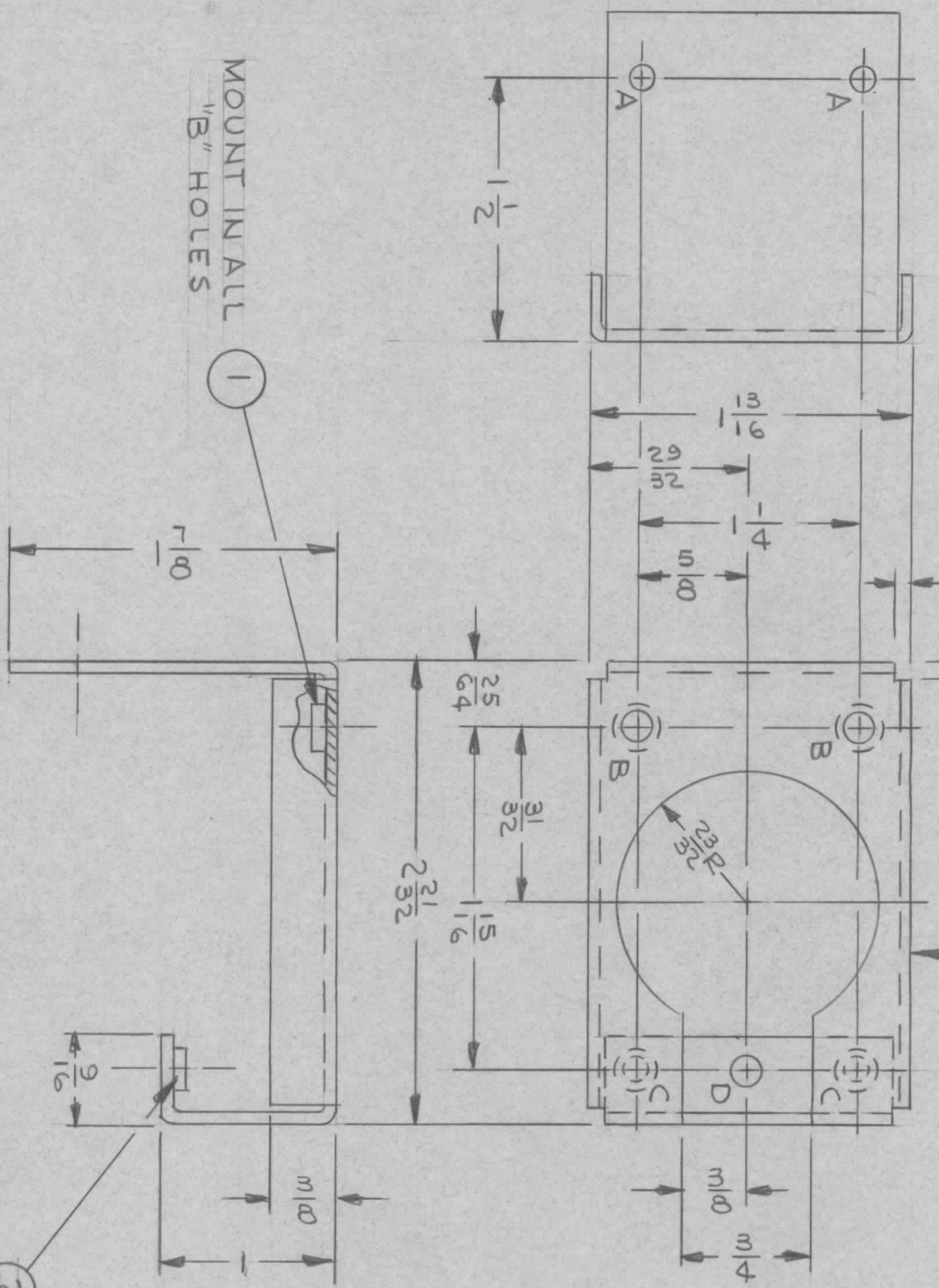


REVISIONS							
ZONE	LTR	DESCRIPTION	DATE	E.M.N.NO	DRAFT	CHKD	APPD
X		EXP. RELEASE	7/27/67		JL		
<del>B</del>		ORIG. RELEASE FOR PROD	11-7-68		R.G.		
A		REF. LD 2327 DELE.	1/7/69		K.H.		

MARK TMC PART NUMBER MSS331-1/8 HIGH GOTHIC WITH LATEST REVISION LETTER



LOCATION OF "C" & "D" HOLES

HOLE	DESCRIPTION	REQ.
A	9/64 DIA	2
B	.191-.194 DIA	2
C	.161-.164 DIA	2
D	11/64 DIA	1

2 MOUNT IN ALL "C" HOLES

1 MOUNT IN ALL "B" HOLES

REQ'D ITEM	PART NUMBER	DESCRIPTION	SYM.
2	NT129-440-4	NUT, PLAIN, SPLINE	C
2	NT129-632-4	NUT, PLAIN, SPLINE	B

LIST OF MATERIAL

THE TECHNICAL MATERIEL CORP.  
MAMARONECK, NEW YORK

BRACKET, SUPPORT - LEDEX  
SINGLE

QTY / UNIT	3	MODEL USED ON	MSAR-4	ASS'Y NO.	
APPLICATION					
CODE					

DECIMALS	FRACTIONS
.X ± .05	1/64
.XX ± .01	ANGLES
.XXX ± .005	0° - 30'
MATERIAL	
063 THK ALUMINUM	
5052 - H32	
FINISH	
YELLOW IRIDITE	
S404	

DATE	DATE	DATE
11-6-68	7/28/68	7/27/67
MECH. DES.	CHECKED	DRAWN
	SG	JL
ELECT. DES.		
SK3252-005-19		

SIZE	CODE IDENT. NO.	DWG NO.	ISSUE
B	82679	MSS331-17	A
SCALE			
SHEET			
OF			

NOTICE TO PERSONS RECEIVING THIS DRAWING  
THE TECHNICAL MATERIEL CORPORATION claims proprietary right in the material disclosed hereon. This drawing is issued in confidence for engineering information only and may not be reproduced or used to manufacture anything shown hereon without permission from THE TECHNICAL MATERIEL CORPORATION to the user. This drawing is loaned for mutual assistance and is subject to recall at any time.