

4

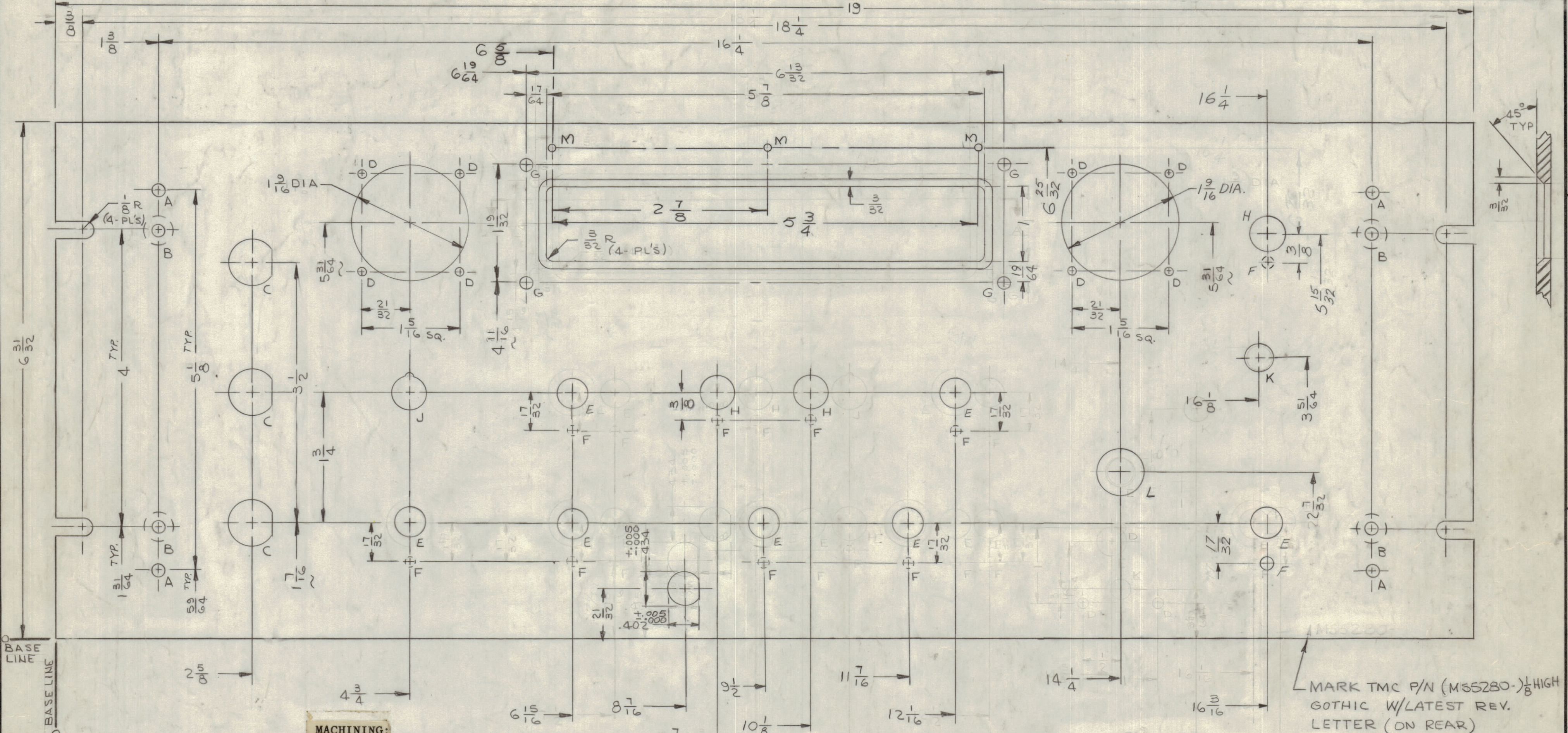
3

2

1

REVISIONS						
ZONE	LTR	DESCRIPTION	DATE	E.M.N.NO	DRAFT	CHKD APPD
		ORIGINAL RELEASE FOR PRODUCTION	11-1-68		R.G.	
B1	A	DIM. CHG 16 7/16 WAS 16 1/16	5-27-69	19464	GE	JP DP JQ

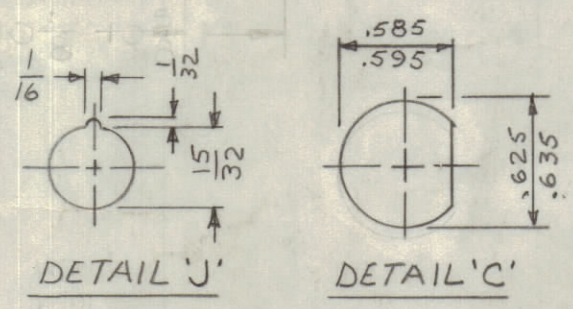
SECTION A-A
FRONT VIEW



- MACHINING:**
1. MILL ALL EDGES.
 2. HOLES MUST BE DRILLED, UNLESS OTHERWISE SPECIFIED.
 3. LATERAL BOW OF PANEL MUST BE KEPT TO .031 TOLERANCE.
 4. PANEL MUST BE FREE OF ALL MACHINING MARKS, GOUGES AND SCRATCHES. IF NECESSARY, SAND FRONT OF PANEL WITH NO. 120 GRIT SANDPAPER.

- FINISH NOTES:**
1. S404 - IRIDITE 14-2 AL-COAT.
 2. S114 - ZINC CHROMATE PRIMER.
 3. FORMULA NO. 111, CLASS 2 - SEMI-GLOSS ENAMEL PER MILITARY SPEC. MIL-E-15090 COLOR 26307

HOLE LEGEND		
HOLE	DESCRIPTION	REQ
A	13/64 DIA	4
B	.196 DIA & C/SINK 82° TO .390 DIA (ON REAR)	4
C	SEE DETAIL	3
D	9/64 DIA	8
E	13/32 DIA	7
F	5/32 DIA X 1/8 DP (ON REAR)	10
G	11/64 DIA	4
H	15/32 DIA	3
J	SEE DETAIL	1
K	3/8 DIA	1
L	5/8 DIA	1
M	NO. 48 (.0760) DR.	3



REF: LD2276

1	HFRR-4	
QTY / UNIT	MODEL USED ON	ASS'Y NO.
APPLICATION		
	CODE A	S401-451

NOTICE TO PERSONS RECEIVING THIS DRAWING
THE TECHNICAL MATERIEL CORPORATION claims proprietary right in the material disclosed hereon. This drawing is issued in confidence for engineering information only and may not be reproduced or used to manufacture anything shown hereon without permission from THE TECHNICAL MATERIEL CORPORATION to the user. This drawing is loaned for mutual assistance and is subject to recall at any time.

QTY. REQ.	ITEM	PART NO.	DESCRIPTION	SYMBOL
HOGAN (ZETENA) LIST OF MATERIAL SR3252-003-1				
FINAL APPROVAL		DATE	THE TECHNICAL MATERIEL CORP. MAMARONECK, NEW YORK	
MECH. DES.		DATE		
ELECT. DES.		DATE		
TOLERANCES ON		DATE	PANEL, FRONT	
DECIMALS		DATE		
FRACTIONS		DATE		
MATERIAL		DATE	SIZE CODE IDENT. NO. DWG. NO. ISSUE	
FINISH		DATE		
SEE NOTES		DATE		
UNLESS OTHERWISE SPECIFIED DIMENSIONS ARE IN INCHES AND INCLUDE CHEMICALLY APPLIED OR PLATED FINISHES				
CHECKED		DATE	C 82679 MS 5280-1 A	
DRAWN		DATE		
		DATE		
SCALE		1/1	SHEET OF	

MARK TMC P/N (MS5280-) 1/8" HIGH
GOTHIC W/LATEST REV.
LETTER (ON REAR)