

APPLICATION

QTY MODEL USED ON ASS'Y NO.

1 BCT 10KA

LTR

X  
Ø

DESCRIPTION

EXP RELEASE  
ORIGINAL RELEASE FOR  
PRODUCTION

DATE

10-11-67  
9/1/68

E.M.N.NO

Ø

DRAFT

MS  
MS

CHKD

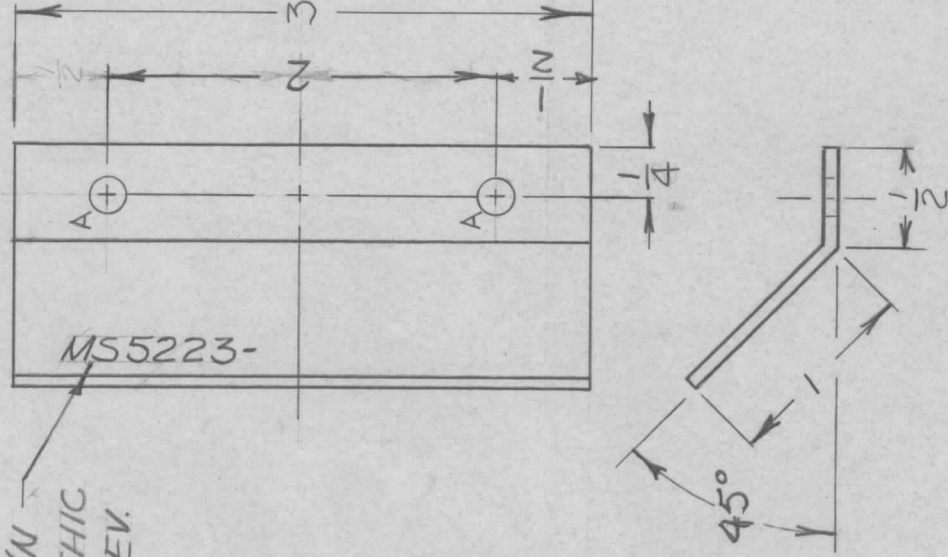
MS

APPD

MS

REVISIONS

MARK TMC P/N  
1/8 HIGH GOTHIC  
W/LATEST REV.  
LETTER.



HOLE	DESCRIPTION	REQ.
A	1/64 DIA.	2

UNLESS OTHERWISE SPECIFIED  
DIMENSIONS ARE IN INCHES  
AND INCLUDE CHEMICALLY APPLIED  
OR PLATED FINISHES

DECIMALS FRACTIONS  
.X ± .05 TOLS. 1/64  
.XX ± .01 ANGLES  
.XXX ± .005 0°-30'

MATERIAL .064 THK  
ALUMINUM 5052-H32

FINISH  
S404 YEL IRIDITE

S401-451

REQ'D ITEM PART NUMBER

BUDETTI

DESCRIPTION

LIST OF MATERIAL SK3290-MS2026

SYM.

FINAL APPROVAL DATE 4-1-69

MECH. DES. DATE 4-2-68

ELECT. DES. DATE 4-1-68

CHECKED DATE 4-1-68

DRAWN DATE 10/11/67

THE TECHNICAL MATERIEL CORP.

MAMARONECK, NEW YORK

DEFLECTOR, AIR

NOTICE TO PERSONS RECEIVING THIS DRAWING

THE TECHNICAL MATERIEL CORPORATION claims proprietary right in the material disclosed hereon. This drawing is issued in confidence for engineering information only and may not be reproduced or used to manufacture anything shown hereon without permission from THE TECHNICAL MATERIEL CORPORATION to the user. This drawing is loaned for mutual assistance and is subject to recall at any time.

SIZE

A

CODE IDENT. NO.

82679

DWG NO.

MS5223

ISSUE

Ø

SCALE 1:1

SHEET 1 OF 1