

APPLICATION

QTY MODEL USED ON ASS'Y NO. LTR

1 BCT-10KA

X

EXP. RELEASE

DESCRIPTION

ORIGINAL RELEASE FOR PRODUCTION

REVISIONS

APPD

DRAFT

E.M.N.NO

DATE

ASS'Y NO.

MODEL USED ON

QTY

APPD

H.G.

Ø

10.10.67

APPD

H.S.

Ø

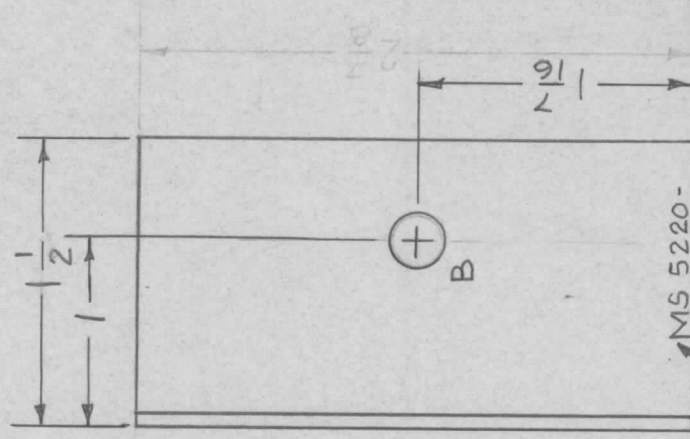
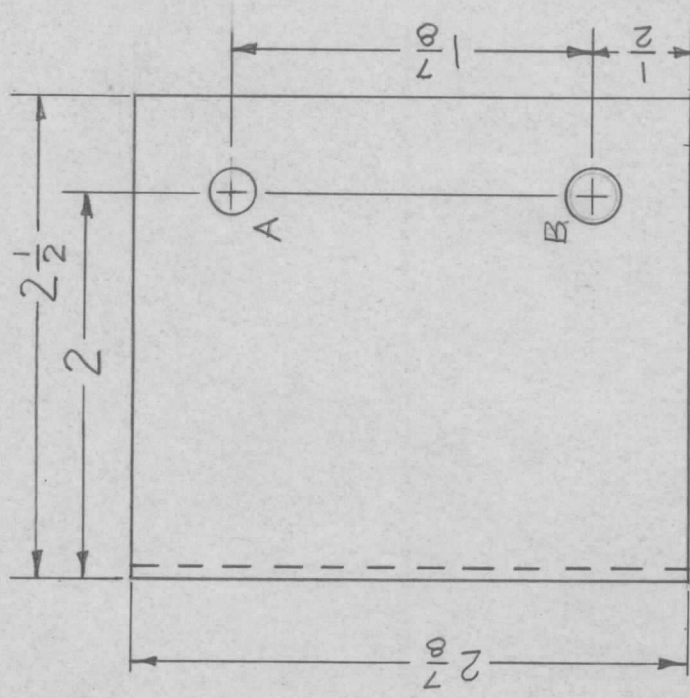
4/1/68

APPD

H.S.

Ø

4/1/68



MARK TMC P/N 1/8 HIGH
GOTHIC W/LATEST REV.
LETTER.

HOLE	DESCRIPTION	REQ.
A	15/64 DIA.	1
B	9/32 DIA.	2

UNLESS OTHERWISE SPECIFIED
DIMENSIONS ARE IN INCHES
AND INCLUDE CHEMICALLY APPLIED
OR PLATED FINISHES

DECIMALS .X ± .05
.XX ± .01
.XXX ± .005

FRACTIONS 1/64

TOLS. 1/64

ANGLES 0° .30'

MATERIAL 064 THK. ALUM.
5052-H32

FINISH S404 YEL

IRIDITE

S401-451

REQ'D ITEM

BUDETTI

PART NUMBER

DESCRIPTION

SYM.

LIST OF MATERIAL SK 3290 MS 2016

THE TECHNICAL MATERIEL CORP.

MAMARONECK, NEW YORK

BRACKET, MTG COIL

NOTICE TO PERSONS RECEIVING THIS DRAWING

THE TECHNICAL MATERIEL CORPORATION claims proprietary right in the material disclosed hereon. This drawing is issued in confidence for engineering information only and may not be reproduced or used to manufacture anything shown hereon without permission from THE TECHNICAL MATERIEL CORPORATION to the user. This drawing is loaned for mutual assistance and is subject to recall at any time.

SIZE CODE IDENT. NO. DWG NO. ISSUE

A 82679 MS 5220

SIZE CODE IDENT. NO. DWG NO. ISSUE

SCALE 1:1 SHEET OF