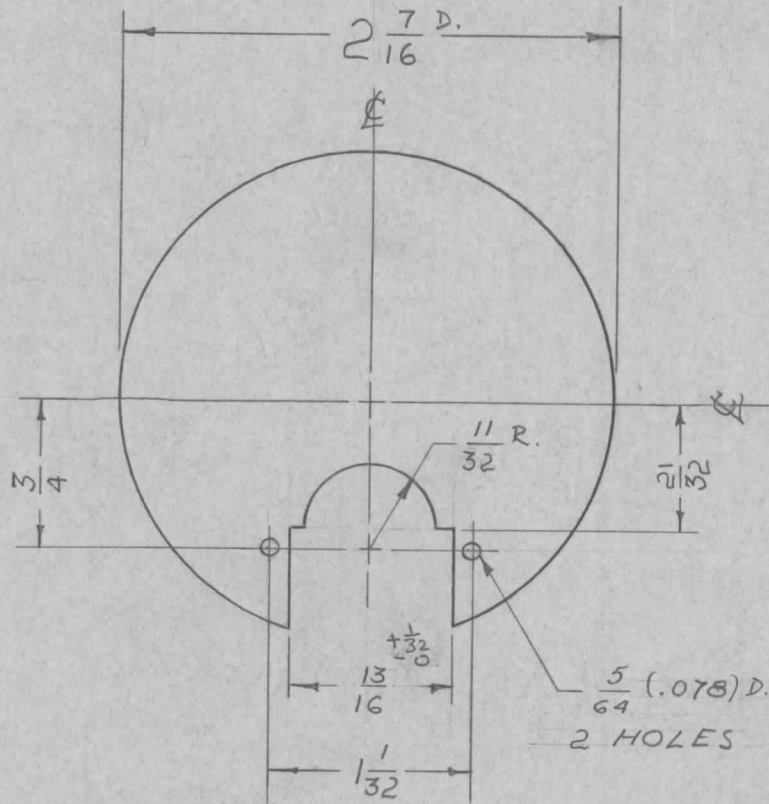


IF IT IS FOUND DESIRABLE TO CHANGE ANY TOLERANCE OR OTHER DETAIL SPECIFIED ON THIS DRAWING NOTIFY THE PURCHASER PROMPTLY.

MS-571

MAXIMUM ALLOWABLE TOLERANCES HAVE BEEN DETERMINED AND DEVIATIONS WILL BE CAUSE FOR REJECTION. REMOVE ALL BURRS AND SHARP EDGES

QTY. PER UNIT	USED ON			
	MODEL	PROJECT NO.	ASS'Y. NO.	DATE
1	RSA-2			10-7-54
1	RSM-2			10-7-54



NOTE: FOR USE ON SIMPSON METERS ONLY.  
FOR TRIPLETT METERS USE MS-682.

REF: LD-199 - LD-200

REQ.	ITEM	PART NO.	DESCRIPTION	SYMBOL
		.020	THE TECHNICAL MATERIEL CORP.	
		STOCK SIZE	MAMARONECK. NEW YORK	
	ALUMINUM	—H—	DIAL BLANK	
	MATERIAL	WEIGHT PER PC.		
		2S-H14		
		TYPE & TEMPER	P.B. 10-7-54	A.J.J. WDE
			DRAWN	ELEC. DES. APP. MECH. DES. APP.
			JADe	A.J.J. WDE
		HEAT TREAT. SPEC.	CHECKED	FINAL APPROVAL
				MS-571
		FINISH & SPEC. NO.		

ISSUE	ITEM	CHANGED FROM	DATE	CN. NO.	DRAFTS	CHECKER	ENG. APP.
TOLERANCES			SCALE				
ALL OTHERS	DEC. DIM. ±	FRAC. DIM. ± 1/64	DRILL, PUNCH, COMMERCIAL STOCK SIZES AND MANUFACTURERS TOLERANCES ARE NOT INCLUDED.				
	ANGULAR DIM. ±						