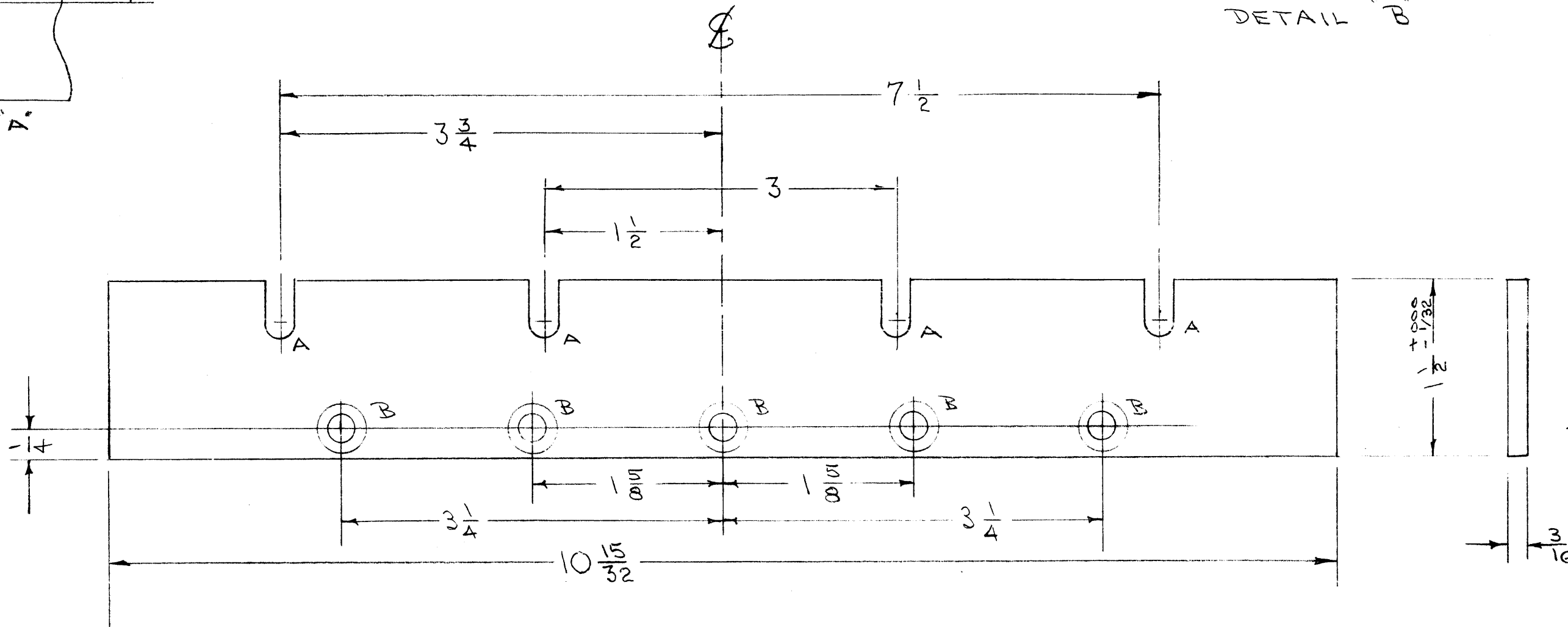
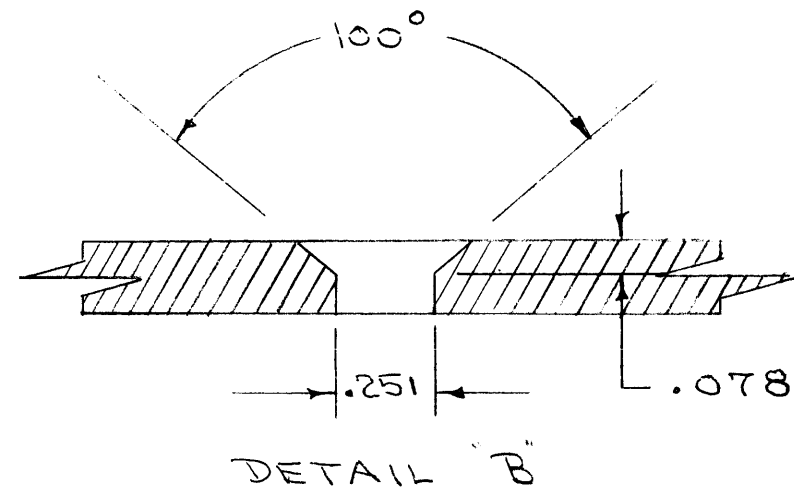
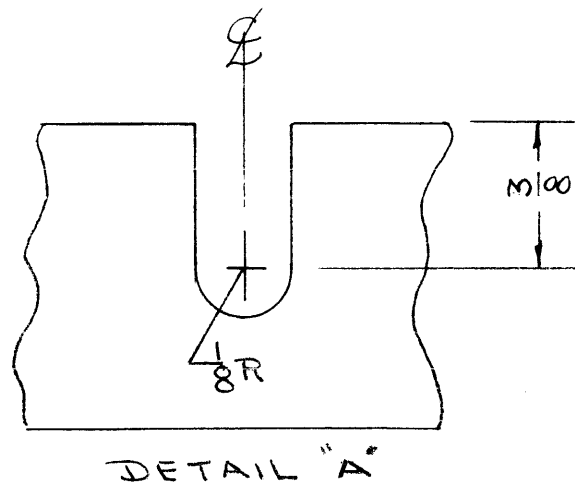


IF IT IS FOUND DESIRABLE TO CHANGE ANY TOLERANCE OR OTHER DETAIL SPECIFIED ON THIS DRAWING NOTIFY PURCHASER PROMPTLY.

MAXIMUM ALLOWABLE TOLERANCES HAVE BEEN DETERMINED AND DEVIATIONS WILL BE CAUSE FOR REJECTION. REMOVE ALL BURRS AND SHARP EDGES

MS-556 A



A	1	"B" HOLES ADDED	10/14	1	C.D.D.	J.A.L.B.	
ISSUE	ITEM	CHANGED FROM	DATE	CN. NO.	DRAFTS	CHECKER	ENG. APP.
TOLERANCES		SCALE:					
ALL OTHERS	DEC. DIM. ± FRAC. DIM. ± ANGULAR DIM. ±	DRILL, PUNCH, COMMERCIAL STOCK SIZES AND MANUFACTURERS TOLERANCES ARE NOT INCLUDED.					

2	A-804		A-804	8-18-34
REQ PER UNIT	MODEL	PROJECT NO.	ASS'Y. NO.	DATE
USED ON				

REQ. ITEM	PART NO.	DESCRIPTION		SYMBOL
	3/16	THE TECHNICAL MATERIEL CORP.		
	STOCK SIZE	MAMARONECK, NEW YORK		
	ALUMINUM	PANEL, FRONT EXTENSION		
	MATERIAL	PMO		
	24S T3			
	WEIGHT PER PC.			
	TYPE & TEMPER	J.A.L.B.		W.O.Z.
	HEAT TREAT. SPEC.	M.H.S.		W.O.Z.
	FINISH & SPEC. NO.	CHECKED	FINAL APPROVAL	
			MS-556 A	