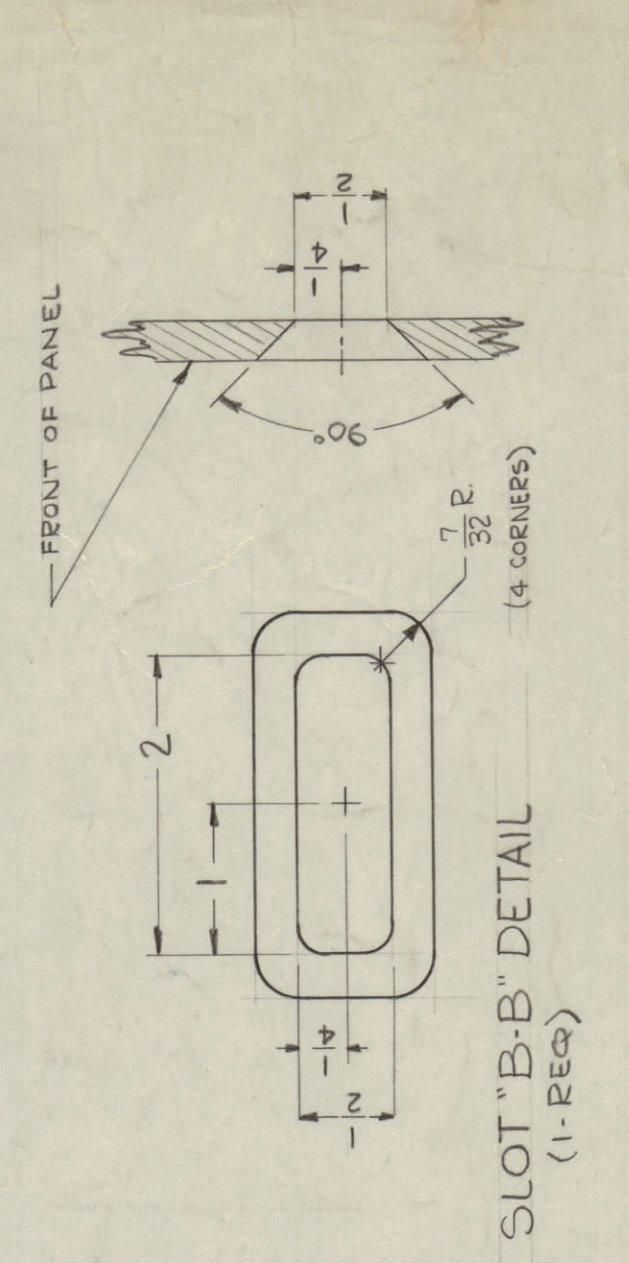
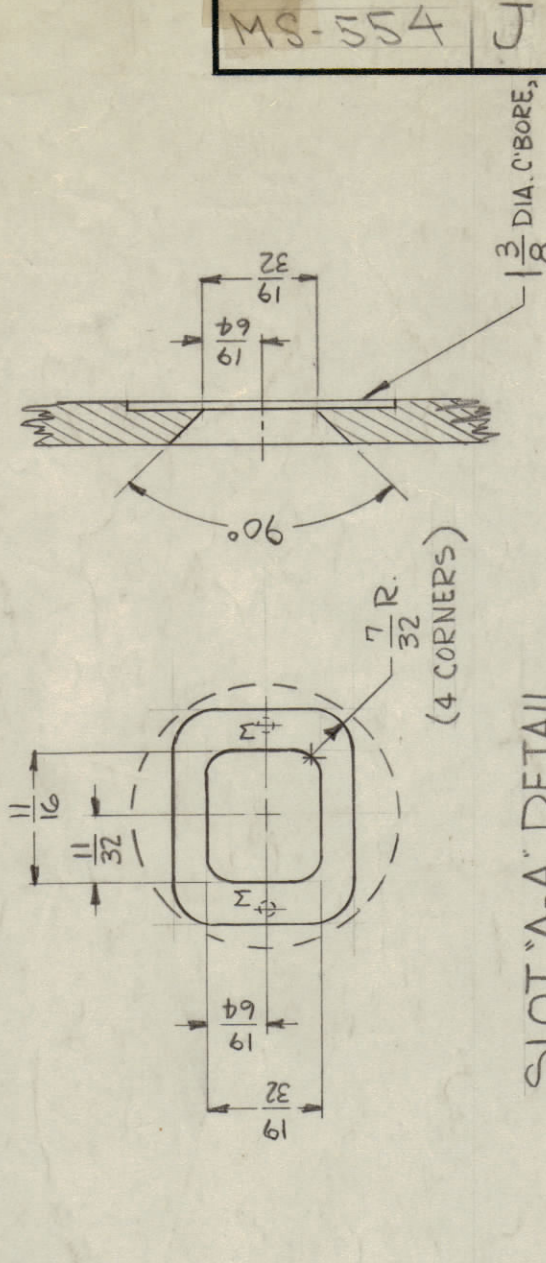
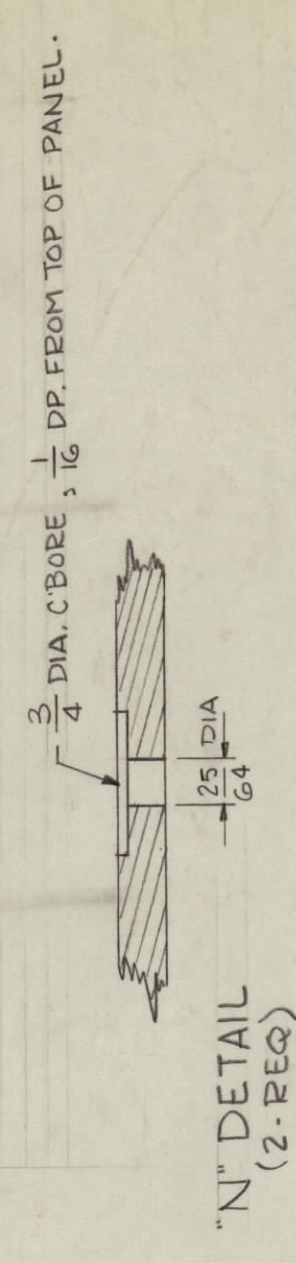
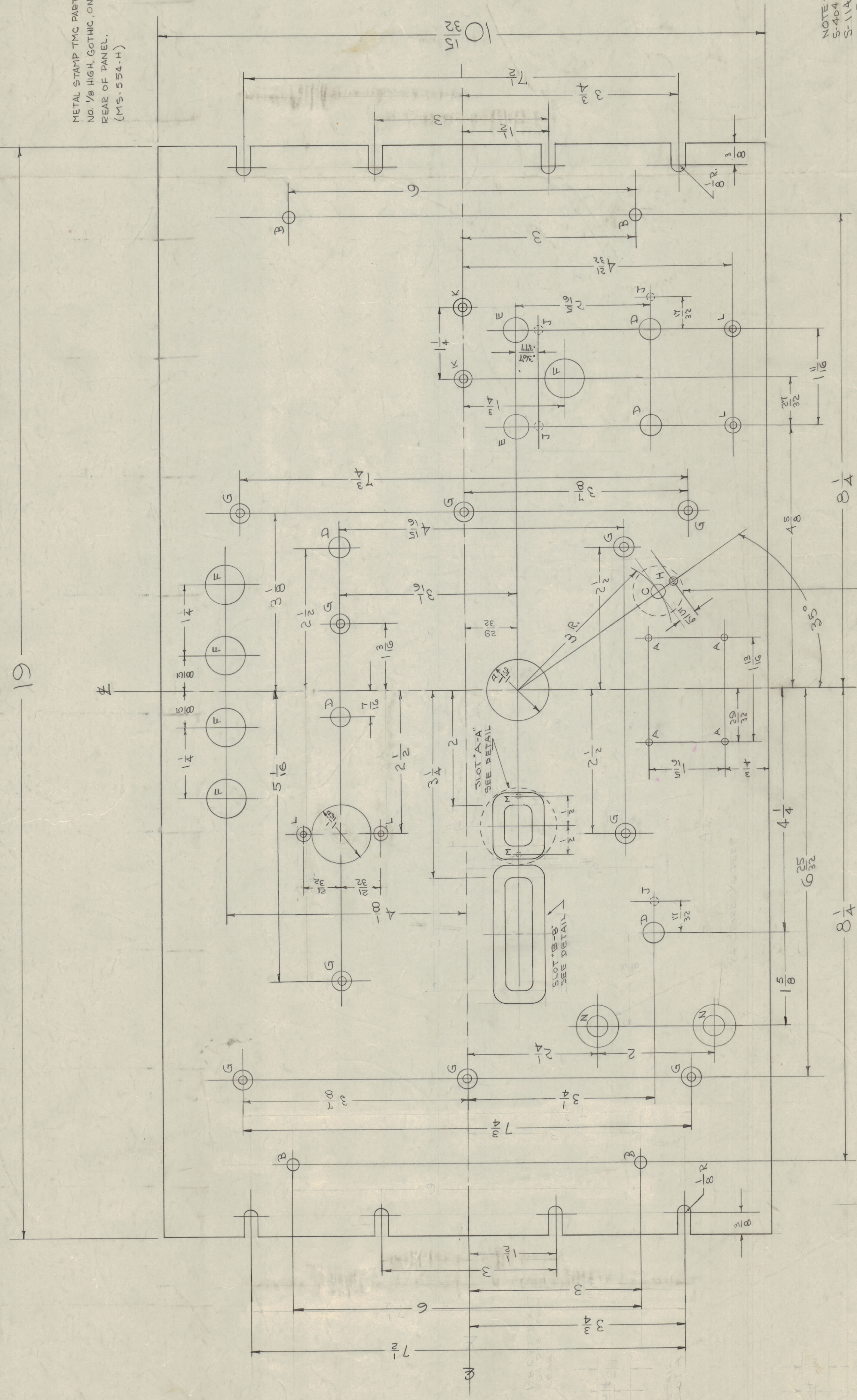


IF IT IS FOUND DESIRABLE TO CHANGE ANY TOLERANCE OR OTHER DETAIL SPECIFIED ON THIS DRAWING NOTIFY THE PURCHASER PROMPTLY. ANY SUCH CHANGES HAVE BEEN OBTAINED FROM THE PURCHASER AND WILL BE CAUSE FOR REACTION. REMOVE ALL BURRS AND SHARP EDGES

- A - NO. 41 (018) DRILL
  - B - 1/32 (018) DIA.
  - C - 3/64 (035)
  - D - 1/16 (063)
  - E - 1/8 (127)
  - F - 3/16 (152)
  - G - DRILL & CSINK FOR 10.32 F.H.S.
  - H - DRILL & TAP A-40
  - I - 9/64 (143) DIA. X 1/8 DEEP FROM REAR
  - J - DRILL & CSINK FOR 8.32 F.H.S.
  - K - 1/8 (3.18) DIA. X 1/64 (1.58) DEEP FROM REAR
  - L - NO. 55 (052) DRILL X 1/64 (1.58) AFTER COUNTER BORE
- 4 HOLES REQ.



METAL STAMP TMC PART NO. 1/8 HIGH, GOING ON REAR OF PANEL. (MS-554-H)



NOTE - FINISH  
 S-404 IRIDITE  
 S-11A ZINC CHROMATE PRIMER  
 S-11B SMOOTH GRAY ENAMEL  
 (FRONT & SIDES ONLY)

REF: DNG. NO. LD-2015

| REQ. ITEM               | PART NO. | DESCRIPTION                  | SYMBOL |
|-------------------------|----------|------------------------------|--------|
| 3/16 THK                |          | THE TECHNICAL MATERIAL CORP. |        |
| STOCK SIZE              |          | MAMARONECK, NEW YORK         |        |
| ALUMINUM                |          | PANEL, FRONT                 |        |
| MATERIAL WEIGHT PER FT. |          | PMO-2 RACK                   |        |
| 2 AS T3                 |          | CSO-8-16-54                  |        |
| TYPE & TEMPER           |          | HA110                        |        |
| HEAT TREAT SPEC.        |          |                              |        |
| FINISH & SPEC. NO.      |          |                              |        |

| ISSUE ITEM | CHANGED FROM | DATE | ENGR. | CHECKER | ENG. APP. |
|------------|--------------|------|-------|---------|-----------|
| 1          |              |      |       |         |           |

| PROJECT NO. | ASBY. NO. | DATE |
|-------------|-----------|------|
| PMO-5       | A5308-1   |      |

| MODEL | USED ON |
|-------|---------|
| PMO-5 |         |

| REV. | DATE    | DESCRIPTION | BY   | CHKD. |
|------|---------|-------------|------|-------|
| 1    | 2/18/54 | REVISED     | EMIN |       |
| 2    | 2/18/54 | REVISED     | EMIN |       |
| 3    | 2/18/54 | REVISED     | EMIN |       |
| 4    | 2/18/54 | REVISED     | EMIN |       |
| 5    | 2/18/54 | REVISED     | EMIN |       |