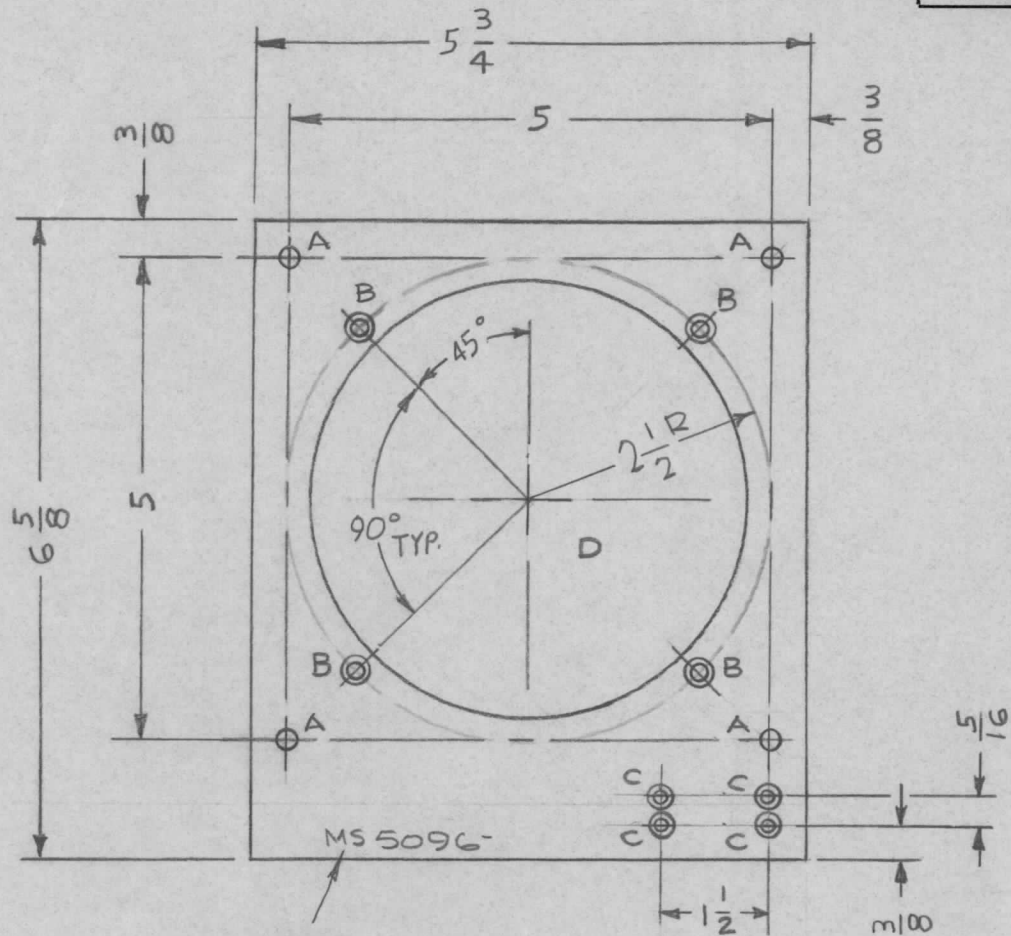


REQ. PER UNIT	USED ON			MS 5096	Q
	MODEL	ASS'Y. NO.	DATE		
1	RAK 110-2	BMA 152	9-2-66		



HOLES:

- A - 13/64 DIA. 4 REQ.
- B - .144 DIA. C'S SINK 82° TO .284 DIA. 90° APART ON 5" DIA. 4 REQ.
- C - .120 DIA. C'S SINK 82° TO .230 DIA. 4 REQ.
- D - 4 1/2 DIA. 1 REQ.

MARK TMC P/N  
1/8" HIGH GOTHIC  
W/LATEST REV.  
LETTER.

REF. LD 2172

REQ.	ITEM	PART NO.	F. BUDETTI DESCRIPTION			SYMBOL
Q		.081 THK	THE TECHNICAL MATERIEL CORP.			
		STOCK SIZE	MAMARONECK, NEW YORK			
X	EXP RELEASE	ALUMINUM	PLATE, AIR BAFFLE			
		MATERIAL	BRACKET			
UNLESS OTHERWISE SPECIFIED DIMENSIONS ARE IN INCHES AND INCLUDE CHEMICALLY APPLIED OR PLATED FINISHES		SCALE				
		1:2				
DECIMALS	TOLERANCES	FRACTIONS	CODE			
.X ± .05		± 1/64	A			
.XX ± .01		ANGLES				
.XXX ± .005		± 0° 30'				
		5052-H32	JBC			
		TYPE & TEMPER	9-2-66			
		HEAT TREAT. SPEC.	DRAWN	CHECKED	FINAL APPROVAL	
		S 404 YEL. IRIDITE	JBC / DEC 66	OK		
		FINISH & SPEC. NO.	ELEC. DES. APP.	MECH. DES. APP.	MS 5096	Q