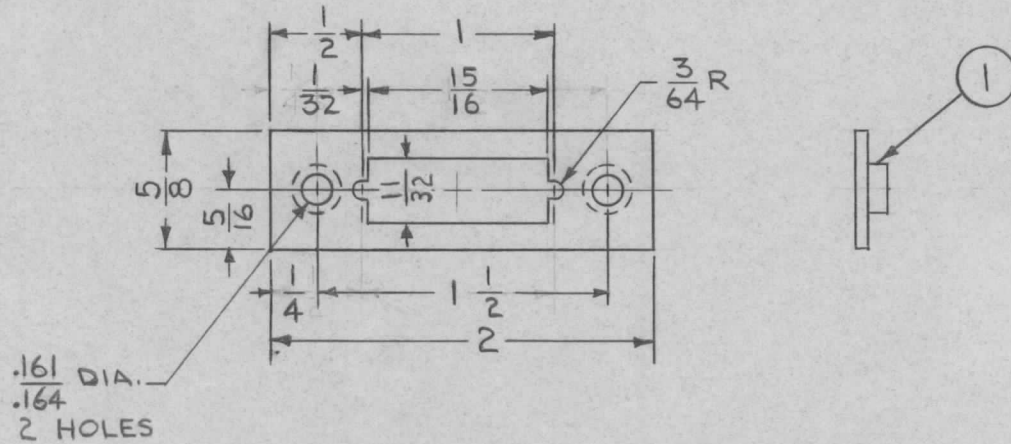


REQ. PER UNIT	USED ON			MS5094	Ø
	MODEL	ASS'Y. NO.	DATE		
1	SMEA-1		9-21-66		



NOTE: 1- REMOVE ALL BURRS & SHARP EDGES.  
2- MOUNT INSERTS AFTER FINISHING.

		2	1	NT129-44Q-4	NUT, PLAIN SPLINE TYPE		
		REQ. ITEM		PART NO.	R. HAY	DESCRIPTION	SYMBOL
				.064 THK	THE TECHNICAL MATERIEL CORP.		
				STOCK SIZE	MAMARONECK. NEW YORK		
Ø	ORIG. REL. FOR PROD	9/26/66	Ø		PLATE, CONNECTOR, MTG.		
X	EXPERIMENTAL RELEASE	9-21-66	X	RME			
SYM	DESCRIPTION	DATE	CH. NO.	DRAFTS	CHECKER	ENG. APP.	
UNLESS OTHERWISE SPECIFIED DIMENSIONS ARE IN INCHES AND INCLUDE CHEMICALLY APPLIED OR PLATED FINISHES		SCALE		5052-H32			
		1:1		RME		9/23/66	
				TYPE & TEMPER		DRAWN	
				HEAT TREAT. SPEC.		CHECKED	
				S404 YEL. IRIDITE		FINAL APPROVAL	
				FINISH & SPEC. NO.		ELEC. DES. APP. MECH. DES. APP.	
DECIMALS .X ± .05 .XX ± .01 .XXX ± .005		FRACTIONS ± 1/64 ANGLES ± 0° 30'		CODE		MS5094 Ø	
TOLERANCES							