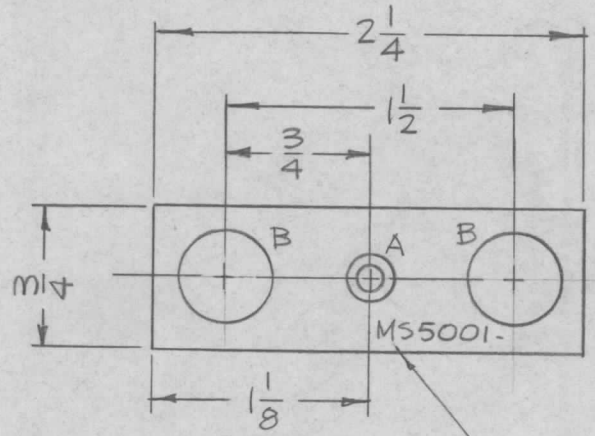


REQ. PER UNIT	USED ON			MS5001	⊙
	MODEL	ASS'Y. NO.	DATE		
1	TCP-1		4-22-66		
1	TCP-2		11-23-66		



MARK TMC P/N
 1/2 HIGH GOTHIC
 8W/LATEST
 REV. LETTER.

HOLES:
 A - DR .120 DIA. C'SINK 82° TO .230 DIA. (1REQ)
 B - 1/2" DIA. (2REQ)

REF: LD2107-

⊙	ORIGINAL RELEASE FOR PRODUCTION	12.1.66	4	LD2107			REQ. ITEM	PART NO.	F. BUDETTI	DESCRIPTION	SYMBOL	
X2	TCP-2 ADDED	11-23-66		LD2107			.051 THICK		THE TECHNICAL MATERIEL CORP. MAMARONECK. NEW YORK			
X1	1/2 DIA HOLES WERE 15/32	8-29-66	X1	JBC			STOCK SIZE		BRACKET, MTG. TERMINAL			
X	EXP. RELEASE	6-28-66	X				ALUMINUM					
SYM	DESCRIPTION	DATE	CH. NO.	DRAFTS	CHECKER	ENG. APP.	MATERIAL					
UNLESS OTHERWISE SPECIFIED DIMENSIONS ARE IN INCHES AND INCLUDE CHEMICALLY APPLIED OR PLATED FINISHES		SCALE 1:1					5052-H32		<i>[Signature]</i>	<i>[Signature]</i>	<i>[Signature]</i>	
DECIMALS .X ± .05 .XX ± .01 .XXX ± .005	TOLERANCES	FRACTIONS ± 1/64 ANGLES ± 0° 30'	CODE A	5404 YEL IRIDITE		FINISH & SPEC. NO.	TYPE & TEMPER	HEAT TREAT. SPEC.	DRAWN	CHECKED	FINAL APPROVAL	
									<i>[Signature]</i>	<i>[Signature]</i>	MS5001	⊙