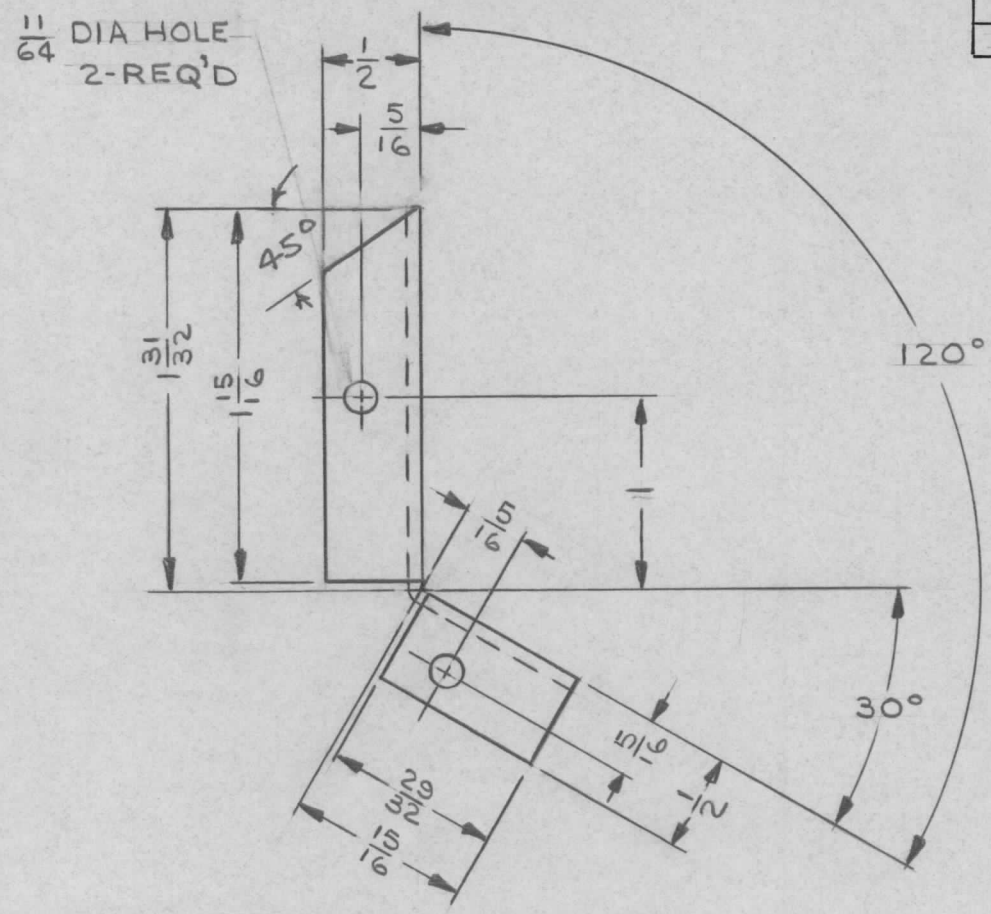
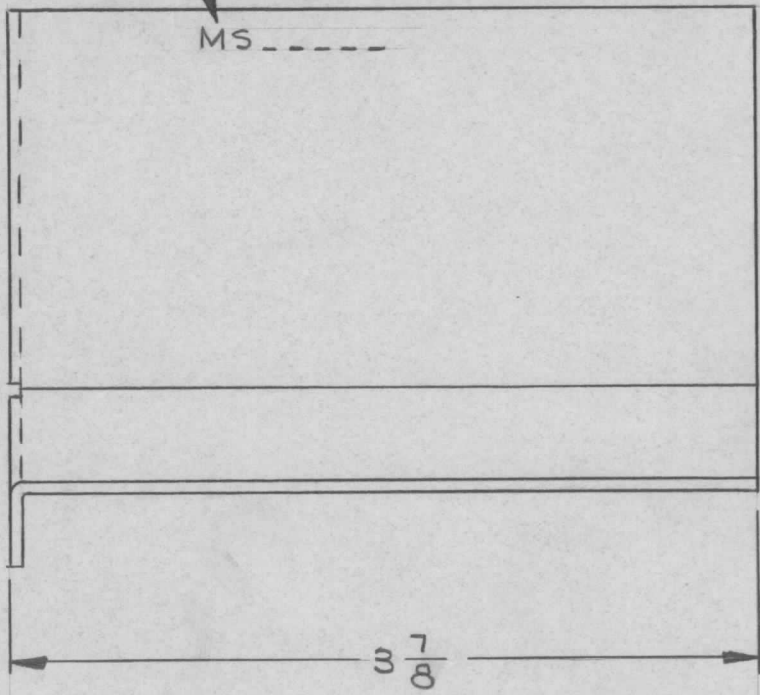


REQ. PER UNIT	USED ON			MS4903 Ø
	MODEL	ASS'Y. NO.	DATE	
1	RTIH-1		4-1-66	



MARK 1/8 HIGH GOTHIC TMC PT. NO. W/LATEST REV. LETTER
MS



UNLESS OTHERWISE SPECIFIED:

1. USE MATERIAL THICKNESS FOR MAXIMUM RADIUS ON ALL BENDS
2. ALL ANGULAR BENDS 90 DEGREES
3. REMOVE ALL BURRS AND SHARP EDGES

REQ. ITEM	PART NO.	F.E. EATON DESCRIPTION				SYMBOL
Ø	.064 THK	THE TECHNICAL MATERIEL CORP. MAMARONECK, NEW YORK				
	STOCK SIZE					
X1	ALUMINUM	DEFLECTOR, AIR				
	MATERIAL					
	5052-H32	J. LESHINSKI	CB	4/18/66		
	TYPE & TEMPER	HEAT TREAT. SPEC.	DRAWN	CHECKED	FINAL APPROVAL	
	YELLOW IRIDITE PER S404					
	FINISH & SPEC. NO.	ELEC. DES. APP.	MECH. DES. APP.	MS4903 Ø		

UNLESS OTHERWISE SPECIFIED DIMENSIONS ARE IN INCHES AND INCLUDE CHEMICALLY APPLIED OR PLATED FINISHES

DECIMALS
.X ± .05
.XX ± .01
.XXX ± .005

FRACTIONS
± 1/64
ANGLES
± 0° 30'

TOLERANCES

SCALE 1/1

CODE