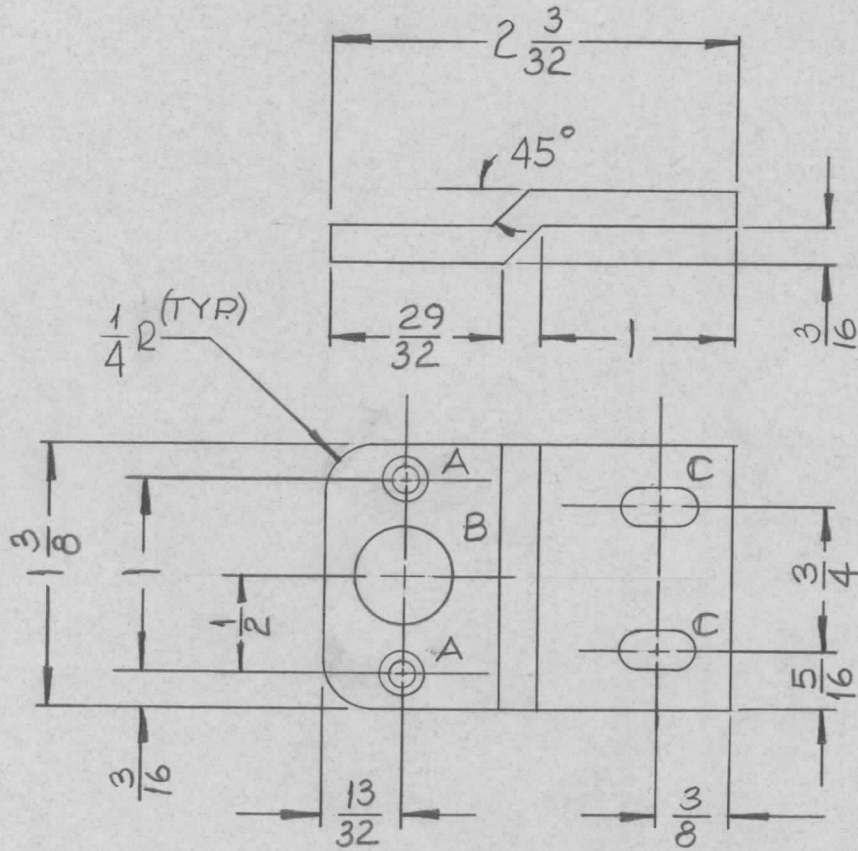
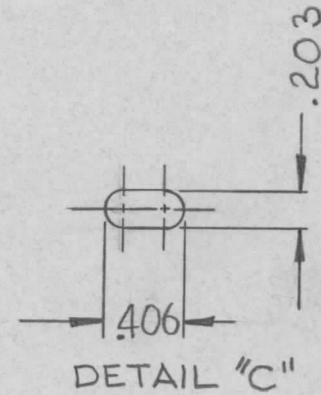


REQ. PER UNIT	USED ON			MS4898	∅
	MODEL	ASS'Y. NO.	DATE		
2	TSTE 10K	AX611	3-24-66		



HOLE	DESCRIPTION	REQ'D
A	#30 (.128) DIA. (DRILL) C'SK 82° X .218 DIA	2
B	.500 DIA.	1
C	SEE DETAIL "C"	2



REF. 4479 (FRAME NO.)

REQ.	ITEM	PART NO.	BUDETTI	DESCRIPTION	SYMBOL
		#7 GA.		THE TECHNICAL MATERIEL CORP.	
		STOCK SIZE		MAMARONECK.	
		STEEL		BRKT, MTG HV SUPPLY	
		MATERIAL			
			WFW	OKS	M/May
		TYPE & TEMPER		DRAWN	CHECKED
		HEAT TREAT. SPEC.			
		COPPER FLASH		aa 3-24-66	
		FINISH & SPEC. NO.		ELEC. DES. APP.	MECH. DES. APP.
					MS4898 ∅