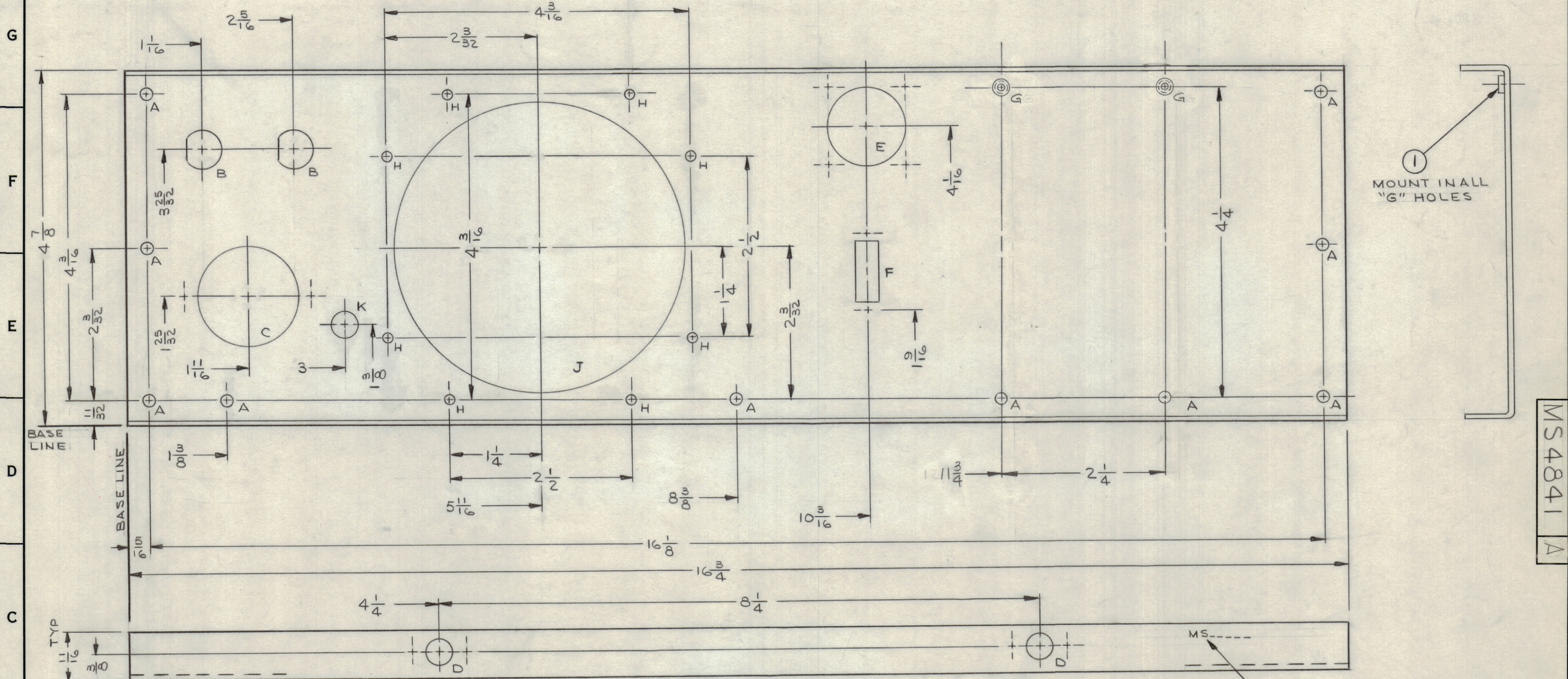
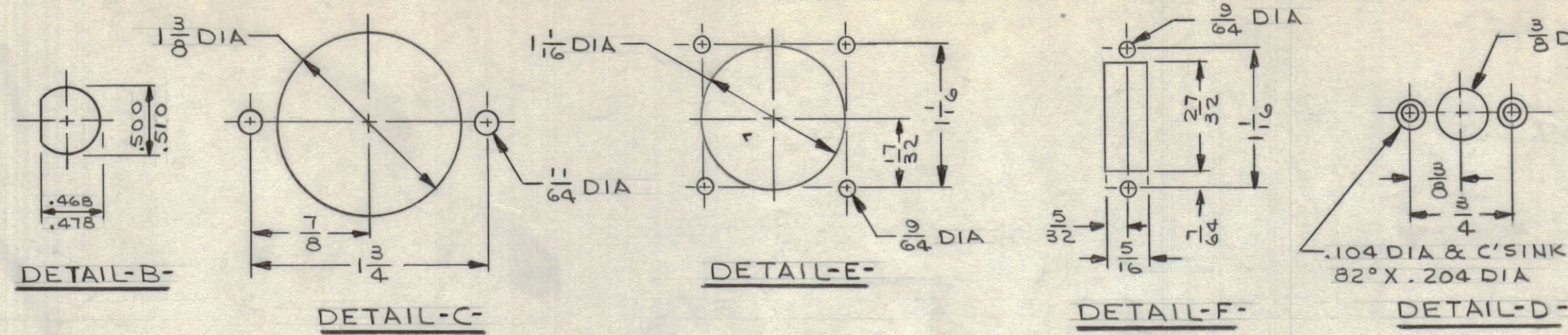


REVISIONS						
ZONE	SYM	DESCRIPTION	DATE	E.M.N. NO.	DRAFT	CHKD
	X1	REDRAWN & REVISED	3/23/66		JL	
D3	X2	A & G HOLE RELOC, 12 WAS 12 3/16	4-18-66	X2	WV	
	Ø	ORIGINAL RELEASE FOR PRODUCTION	4/18/66		Jc	
	A	A & G HOLE RELOC. 11 3/4 WAS 12	5.5.66	16217	WV	QCB



HOLE LEGEND		
HOLE	DESCRIPTION	REQ'D
A	13/64 DIA	10
B	SEE DETAIL	2
C	↑	1
D	↑	4
E	↑	1
F	SEE DETAIL	1
G	.191-.194 DIA	2
H	11/64 DIA	8
J	4" DIA	1
K	3/8 DIA	1

UNLESS OTHERWISE SPECIFIED:

1. USE MATERIAL THICKNESS FOR MAXIMUM RADIUS ON ALL BENDS
2. ALL ANGULAR BENDS 90 DEGREES
3. REMOVE ALL BURRS AND SHARP EDGES
4. MOUNT INSERTS AFTER FINISHING

REF: LD2051

1	RTIH-1	A5352
QTY./UNIT	MODEL USED ON	ASS'Y. NO.
SCALE 1/1	CODE	

THE CONTENTS OF THIS DRAWING ARE THE EXCLUSIVE PROPERTY OF THE TECHNICAL MATERIEL CORP. ITS UNAUTHORIZED USE OR REPRODUCTION IN WHOLE OR IN PART IS STRICTLY FORBIDDEN.

2	1	NT129-632-4	NUT, PLAIN, SPLINE	G
REQ'D.	ITEM	PART NUMBER	DESCRIPTION	SYMBOL
FE. EATON LIST OF MATERIAL				
MATERIAL		THE TECHNICAL MATERIEL CORP.		
.081 THK ALUMINUM 5052-H32		MAMARONECK, NEW YORK		
FINISH		TITLE		
YELLOW IRIDITE PER S404		PLATE, REAR		
DRAWN	DATE	FINAL APPROVAL	DATE	
J. LESHINSKI	3/23/66	FE. Eaton	4/18/66	
CHECKED	DATE	DATE		
QCB	4-11-66	MS4841		
ELECT. DES.	DATE	DATE		
	4/18/66	MS4841		
MECH. DES.	DATE	DATE		
M. Klein	4/18/66	MS4841		

NOTES

MARK 1/8 HIGH GOTHIC, TMC PT. NO. W/LATEST REV. LETTER

MS4841 A