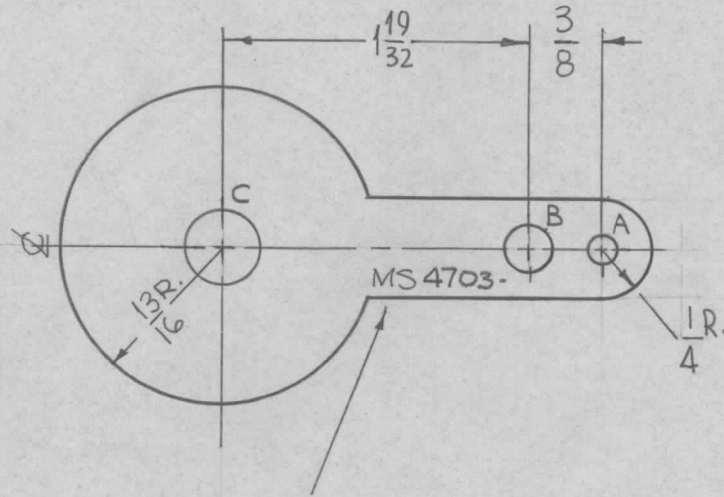


REQ. PER UNIT	USED ON			MS4703 $\phi$
	MODEL	ASS'Y. NO.	DATE	
1	RFTA-1		7-26-65	



HOLES:	REQ
A ~ 9/64 DIA.	1
B ~ 15/64 DIA.	1
C ~ 3/8 DIA.	1

NOTE:  
REMOVE ALL BURRS AND SHARP EDGES

MARK TMC PART NO.  
1/8 HIGH GOTHIC  
W/LATEST REV. LETTER.

REQ.	ITEM	PART NO.	F. BUDETTI DESCRIPTION			SYMBOL
			.031 THICK			THE TECHNICAL MATERIEL CORP. MAMARONECK, NEW YORK
			STOCK SIZE			
			COPPER			
			MATERIAL			WIPER, CONTACT
			COLD ROLLED		<i>[Signature]</i>	<i>[Signature]</i>
			TYPE & TEMPER	HEAT TREAT. SPEC.	DRAWN	CHECKED
			S-245 SILVER PLATE			<i>[Signature]</i>
			S-423 18-P SILVER KOTE			
			FINISH & SPEC. NO.	ELEC. DES. APP.	MECH. DES. APP.	MS4703 $\phi$
UNLESS OTHERWISE SPECIFIED DIMENSIONS ARE IN INCHES AND INCLUDE CHEMICALLY APPLIED OR PLATED FINISHES		SCALE	1:1			
DECIMALS .X $\pm$ .05 .XX $\pm$ .01 .XXX $\pm$ .005	TOLERANCES	FRACTIONS $\pm$ 1/64 ANGLES $\pm$ 0° 30'	CODE	A		