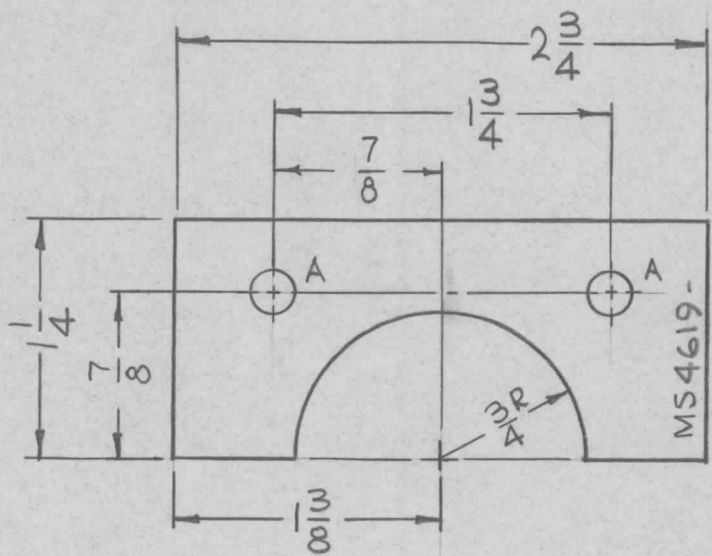


REQ. PER UNIT	USED ON		
	MODEL	ASS'Y. NO.	DATE
2	TST()10K		6-5-65

MS4619 Ø



HOLES:
A - 15/64 DIA (2 REQ.)

MARK TMC PART NO. P. NO. 1/8 HIGH GOTHIC W/LATEST REV. LETTER,

SYM	DESCRIPTION	DATE	CH. NO.	DRAFTS	CHECKER	ENG. APP.	REQ. ITEM	PART NO.	F. BUDETTI DESCRIPTION	SYMBOL
Ø	ORIGINAL RELEASE	2/15/66				<i>HL</i>				
								.081 THICK STOCK SIZE	THE TECHNICAL MATERIEL CORP. MAMARONECK, NEW YORK	
								ALUMINUM	PLATE, CABLE	
								MATERIAL		
								5052-H32	<i>SPY</i>	<i>QCB</i>
								TYPE & TEMPER	DRAWN	CHECKED
								HEAT TREAT. SPEC.		FINAL APPROVAL
								S404 YEL. IRIDITE	<i>CC</i>	
								FINISH & SPEC. NO.	ELEC. DES. APP.	MECH. DES. APP.
										MS4619 Ø