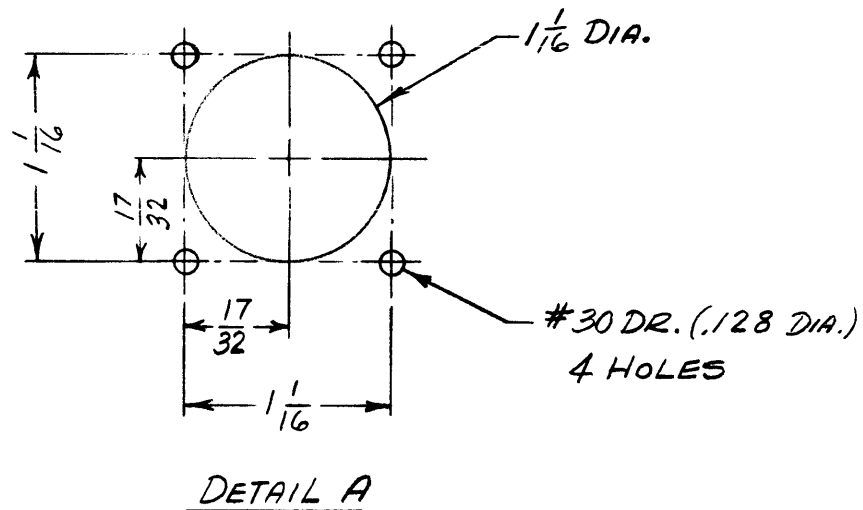
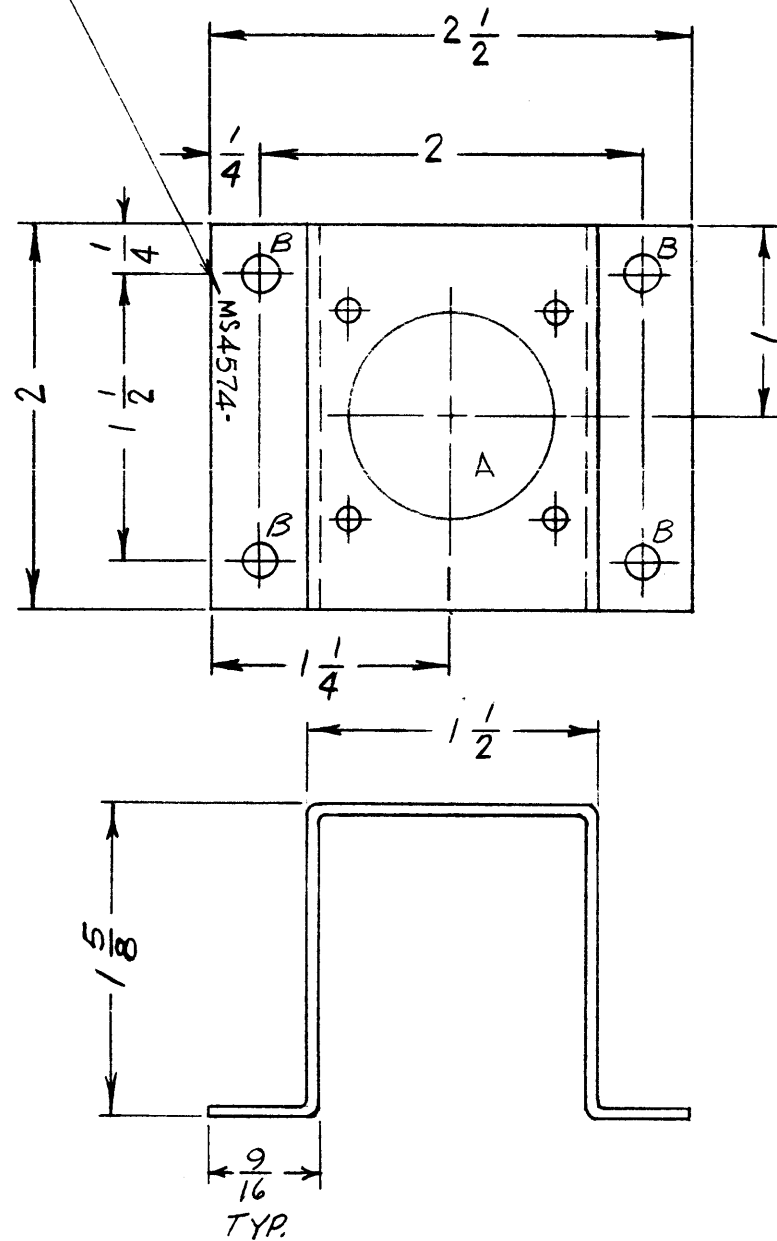


METAL STAMP TMC PART NO. 1/8 HIGH GOTHIC
W/LATEST REV. LETTER.



HOLES REQ
A - SEE DETAIL 1
B - 13/64 DIA. 4

SYM	DESCRIPTION	REVISIONS				
		DATE	EMN NO.	DRAFT	CHKD	APPD
Ø	ORIGINAL RELEASE FOR PRODUCTION	5/6/65	-M-	NLA		

MS4574

REF.: LD1893

REQ'D.	ITEM	PART NUMBER	DESCRIPTION	SYMBOL
O. POSE		LIST OF MATERIAL SK. 3195B-1		
MATERIAL .064 THICK, ALUMINUM, 5052; H32		THE TECHNICAL MATERIEL CORP. MAMARONECK, NEW YORK		
FINISH S404-YEL. IRIDITE		TITLE BRACKET, CONNECTOR MTG.		
UNLESS OTHERWISE SPECIFIED DIMENSIONS ARE IN INCHES AND INCLUDE CHEMICALLY APPLIED OR PLATED FINISHES		DRAWN H. AUSTIN	DATE 5-5-65	FINAL APPROVAL <i>[Signature]</i>
		CHECKED <i>[Signature]</i>	DATE 5/6/65	DATE 5/6/65
DECIMALS .X ± .05 .XX ± .01 .XXX ± .005		FRACTIONS ± 1/64 ANGLES ± 0° 30'		ELECT. DES. DATE
TOLERANCES		MECH. DES. <i>[Signature]</i>		DATE 5/4/65
THE CONTENTS OF THIS DRAWING ARE THE EXCLUSIVE PROPERTY OF THE TECHNICAL MATERIEL CORP. ITS UNAUTHORIZED USE OR REPRODUCTION IN WHOLE OR IN PART IS STRICTLY FORBIDDEN.		SHEET		REV. LTR. Ø

Q'TY./UNIT	MODEL USED ON	ASS'Y. NO.
1	HSS-8	
SCALE 1:1	CODE	

NOTES