

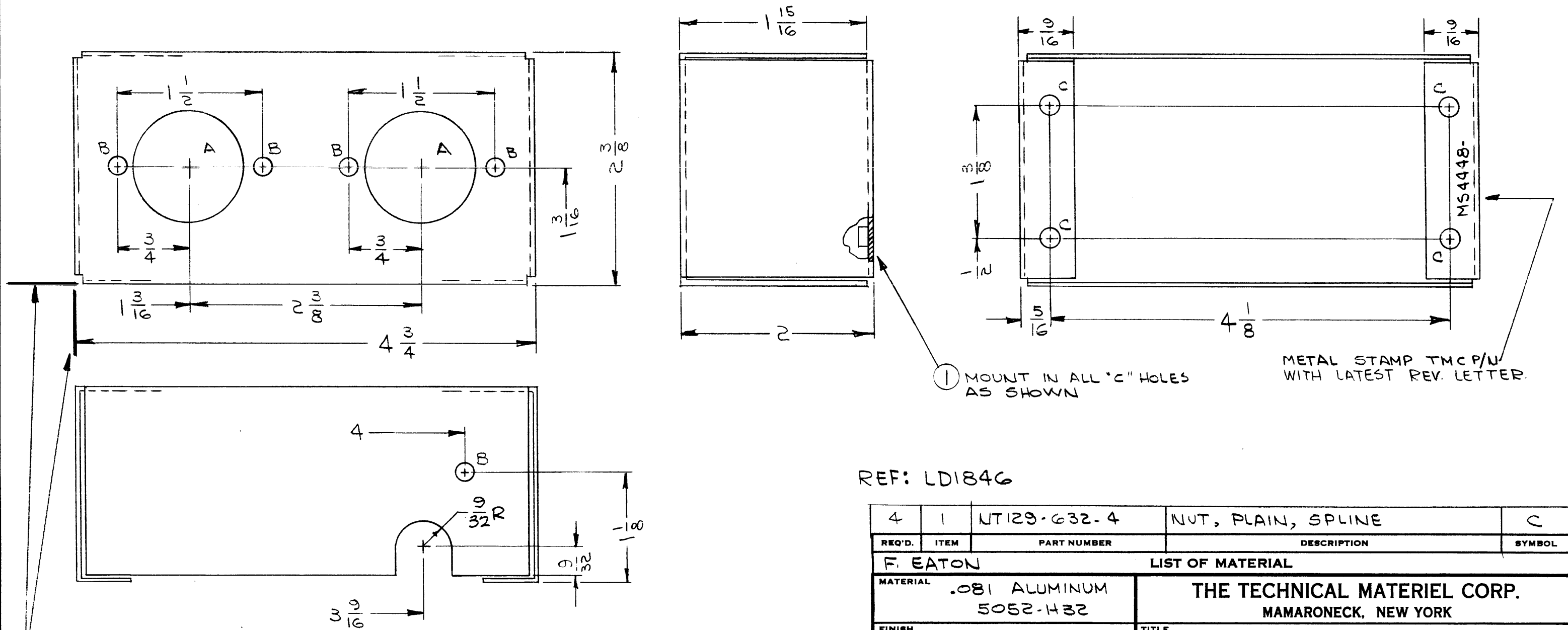
HOLE	DESCRIPTION	REQ
A	1-1/8 DIA	2
B	11/64 DIA	5
C	.191-.194 DIA.	4

UNLESS OTHERWISE SPECIFIED:

1. USE MATERIAL THICKNESS FOR MAXIMUM RADIUS ON ALL BENDS
2. ALL ANGULAR BENDS 90 DEGREES
3. REMOVE ALL BURRS AND SHARP EDGES
4. MOUNT INSERTS AFTER FINISHING

SYM	DESCRIPTION	DATE	E.M.N. NO.	DRAFT	CHKD	APPD	REVISIONS
							Ø

MS4448



LOCATING BASE LINES

NOTES

1	RTTA-1	
Q'TY./UNIT	MODEL USED ON	ASS'Y. NO.
SCALE 1:1	CODE A	

THE CONTENTS OF THIS DRAWING ARE THE EXCLUSIVE PROPERTY OF THE TECHNICAL MATERIEL CORP. ITS UNAUTHORIZED USE OR REPRODUCTION IN WHOLE OR IN PART IS STRICTLY FORBIDDEN.

4	1	NT129-632-4	NUT, PLAIN, SPLINE	C
REQ'D.	ITEM	PART NUMBER	DESCRIPTION	SYMBOL

F. EATON		LIST OF MATERIAL		
MATERIAL	.081 ALUMINUM 5052-H32	THE TECHNICAL MATERIEL CORP. MAMARONECK, NEW YORK		
FINISH	S404 YEL. IRIDITE	TITLE CHASSIS, RELAY MTG.		
UNLESS OTHERWISE SPECIFIED DIMENSIONS ARE IN INCHES AND INCLUDE CHEMICALLY APPLIED OR PLATED FINISHES		DRAWN <i>[Signature]</i>	DATE 4-26-65	FINAL APPROVAL <i>[Signature]</i>
DECIMALS .X ± .05 .XX ± .01 .XXX ± .005		CHECKED <i>[Signature]</i>	DATE 4/27/65	DATE 4/28/65
FRACTIONS ± 1/64 ANGLES ± 0° 30'		ELECT. DES. <i>[Signature]</i>	DATE	DATE
TOLERANCES		MECH. DES. <i>[Signature]</i>	DATE	DATE
SHEET				REV. LTR.