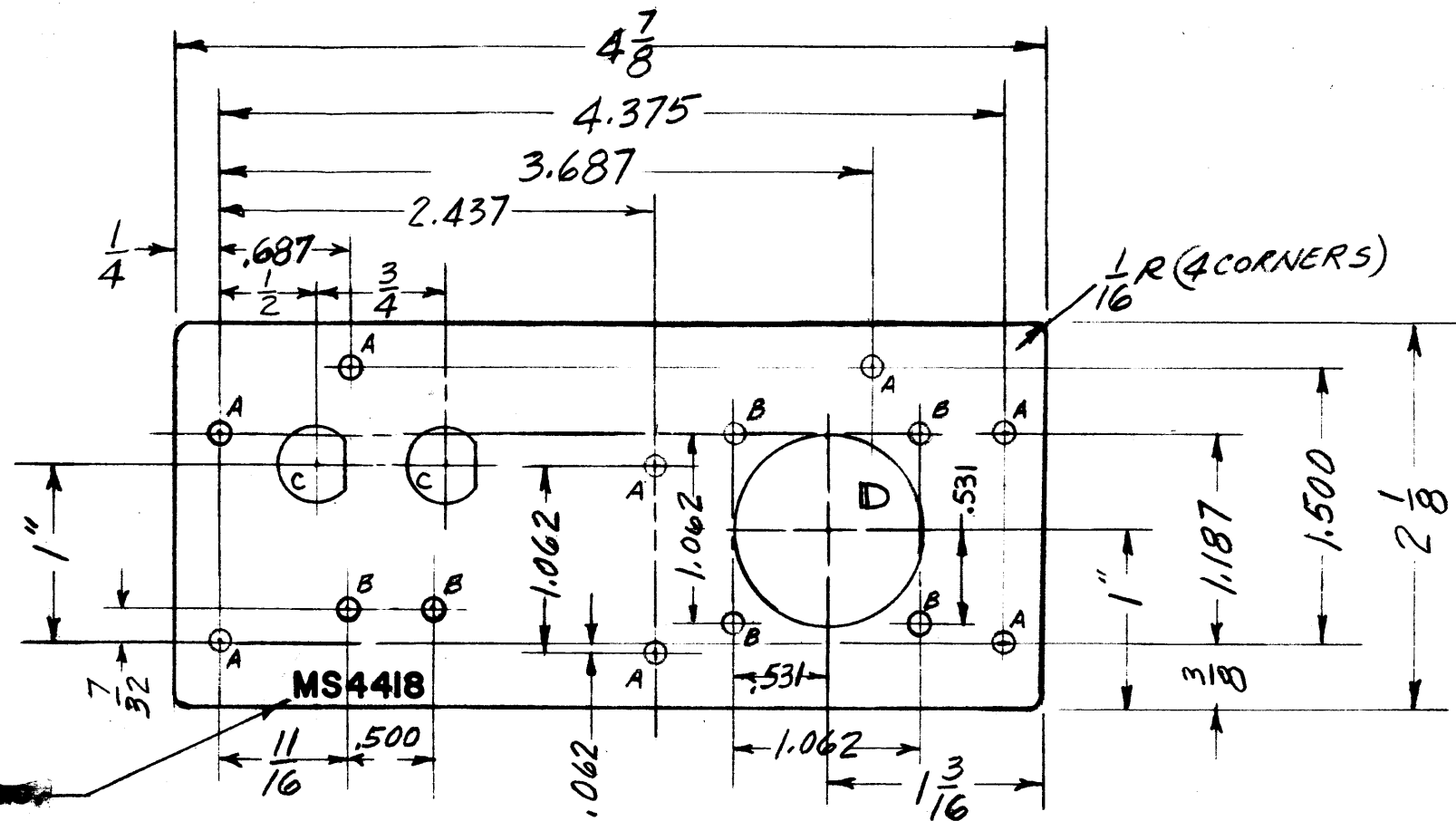
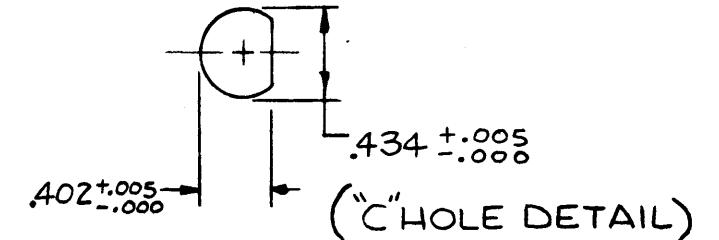


MS4418 Ø

REVISIONS					
SYM	DESCRIPTION	DATE	E.M.N. NO.	DRAFT	CHKD APPD
X	EXP. RELEASE	3-23-65	1	CL	<del>RU</del>
Ø	ORIGINAL RELEASE FOR PRODUCTION	3-25-65	2	RU	<del>CL</del>



HOLE	DESCRIPTION	REQ.
A	.140 DIA	8
B	.125 DIA	6
C	SEE DETAIL	2
D	1.062 DIA	1



METAL STAMP TMC PART NO.  
 1/8 HIGH GOTHIC.  
 WITH LATEST REV. LETTER

— REAR VIEW SHOWN —

REQ'D.	ITEM	PART NUMBER	DESCRIPTION	SYMBOL
LIST OF MATERIAL				
MATERIAL .062 ALUMINUM 5052 H-32			THE TECHNICAL MATERIEL CORP. MAMARONECK, NEW YORK	
FINISH 5404 YEL. IRIDITE				
UNLESS OTHERWISE SPECIFIED DIMENSIONS ARE IN INCHES AND INCLUDE CHEMICALLY APPLIED OR PLATED FINISHES			DRAWN C. LANZA CHECKED <i>[Signature]</i> ELECT. DES. <i>[Signature]</i> MECH. DES. <i>[Signature]</i>	DATE DATE DATE DATE
DECIMALS .X ± .05 .XX ± .01 .XXX ± .005			TOLERANCES FRACTIONS ± 1/64 ANGLES ± 0° 30'	FINAL APPROVAL <i>[Signature]</i> MS4418 SHEET
THE CONTENTS OF THIS DRAWING ARE THE EXCLUSIVE PROPERTY OF THE TECHNICAL MATERIEL CORP. ITS UNAUTHORIZED USE OR REPRODUCTION IN WHOLE OR IN PART IS STRICTLY FORBIDDEN.			DATE 3-25-65	REV. LTR. Ø

NOTES

1	AFCR-3	
Q'TY./UNIT	MODEL USED ON	ASS'Y. NO.
SCALE Do Not Scale	CODE	