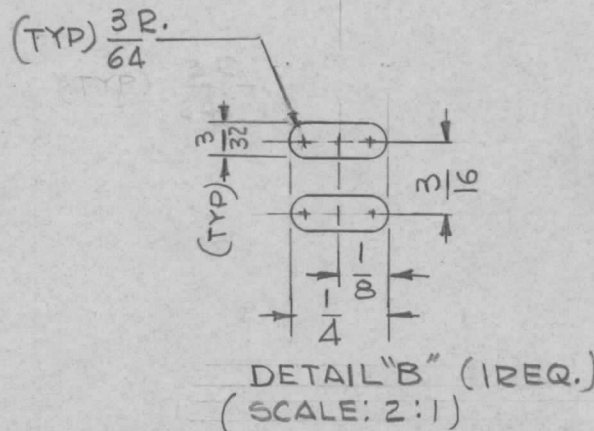
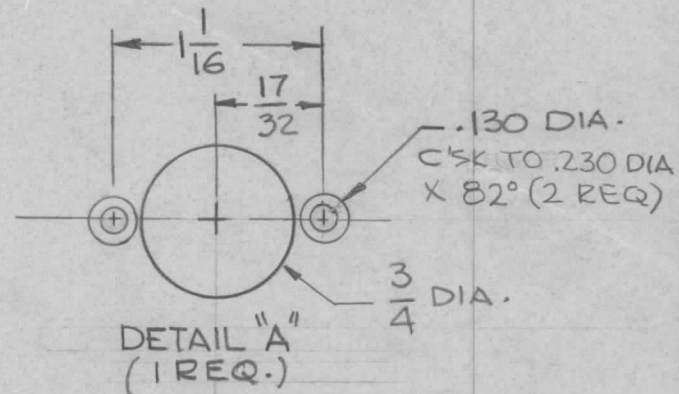
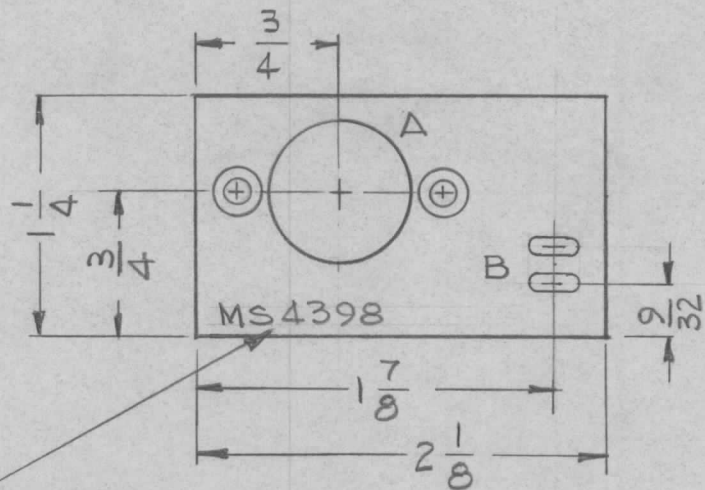


| | | | |
|---------------|---------|------------|-----------|
| REQ. PER UNIT | USED ON | | MS 4398 A |
| | MODEL | ASS'Y. NO. | |
| | TTR-10 | | 9-14-65 |

| HOLE | DESCRIPTION | REQ |
|------|-------------|-----|
| A | SEE DETAIL | 1 |
| B | SEE DETAIL | 1 |



MARK TMC PART NO. WITH LATEST REV. LETTERS, 1/8 HIGH BLACK GOTHIC AS PER TMC S-727.

| REQ. | ITEM | PART NO. | METENA DESCRIPTION | | | SYMBOL |
|------|------|--------------------|------------------------------|-----------------|---------|----------------|
| | | .062 THK | THE TECHNICAL MATERIEL CORP. | | | |
| | | STOCK SIZE | MAMARONECK, NEW YORK | | | |
| | | ALUMINUM | PLATE, SWITCH | | | |
| | | MATERIAL | | | | |
| | | 5052-H32 | G.D.L. | 9/14/65 | | |
| | | TYPE & TEMPER | HEAT TREAT. SPEC. | DRAWN | CHECKED | FINAL APPROVAL |
| | | S404 YEL. IRIDITE | | | | |
| | | FINISH & SPEC. NO. | ELEC. DES. APP. | MECH. DES. APP. | | |
| | | | | | MS 4398 | A |