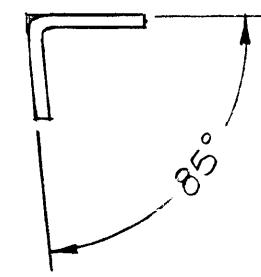
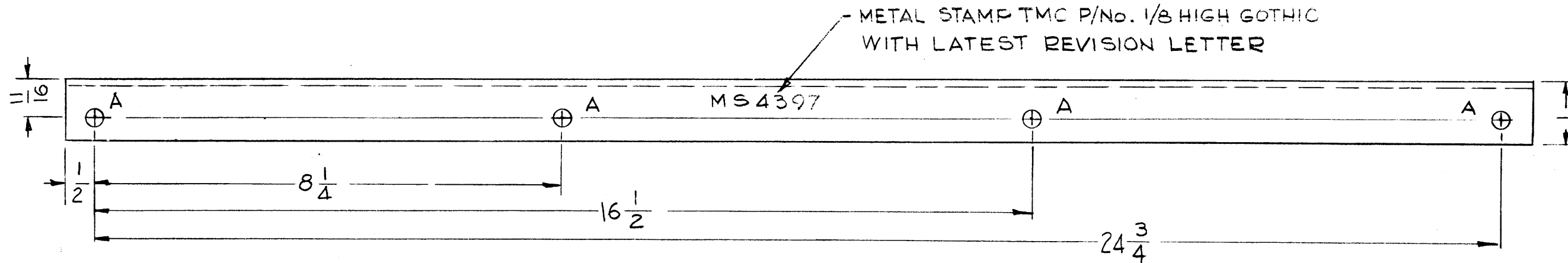
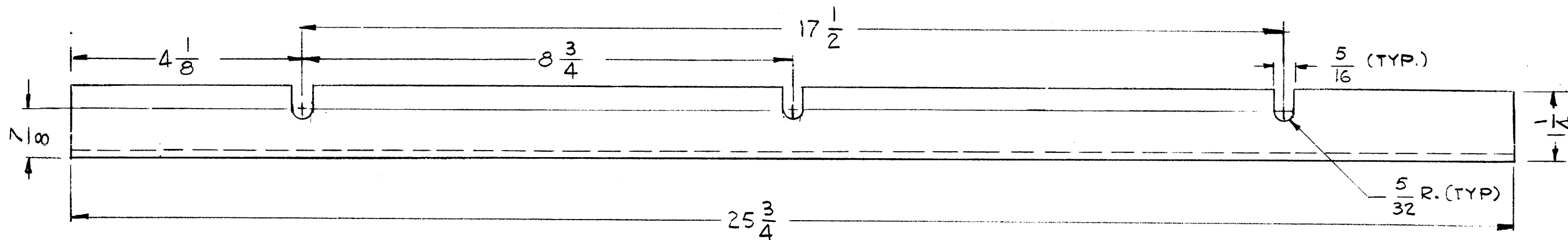


HOLE	DESCRIPTION	REQ.
A	15/64 DIA	4

MS4397

REVISIONS						
SYM	DESCRIPTION	DATE	E.M.N. NO	DRAFT	CHKD	APPD
Ø	ORIGINAL RELEASE FOR PRODUCTION	9-16-68	Ø	R.G.		JLO



REQ'D.	ITEM	PART NUMBER	DESCRIPTION	SYMBOL
F. BUDETTI LIST OF MATERIAL				
MATERIAL 1/8 THK. ALUMINUM 5052-H32			THE TECHNICAL MATERIEL CORP. MAMARONECK, NEW YORK	
FINISH S404 YEL IRIDITE			TITLE BRACKET, MTG. REAR	
UNLESS OTHERWISE SPECIFIED DIMENSIONS ARE IN INCHES AND INCLUDE CHEMICALLY APPLIED OR PLATED FINISHES			DRAWN G.D.L. DATE 5-4-65	FINAL APPROVAL [Signature] DATE
DECIMALS .X ± .05 .XX ± .01 .XXX ± .005			CHECKED [Signature] DATE 8/24/65	MS4397 Ø
FRACTIONS ± 1/64 ANGLES ± 0° 30'			ELECT. DES. [Signature] DATE	REV. LTR.
TOLERANCES			MECH. DES. [Signature] DATE	SHEET

Q'TY./UNIT	MODEL USED ON	ASS'Y. NO.
1	TST-10K	
SCALE 1:2	CODE A	

THE CONTENTS OF THIS DRAWING ARE THE EXCLUSIVE PROPERTY OF THE TECHNICAL MATERIEL CORP. ITS UNAUTHORIZED USE OR REPRODUCTION IN WHOLE OR IN PART IS STRICTLY FORBIDDEN.

NOTES