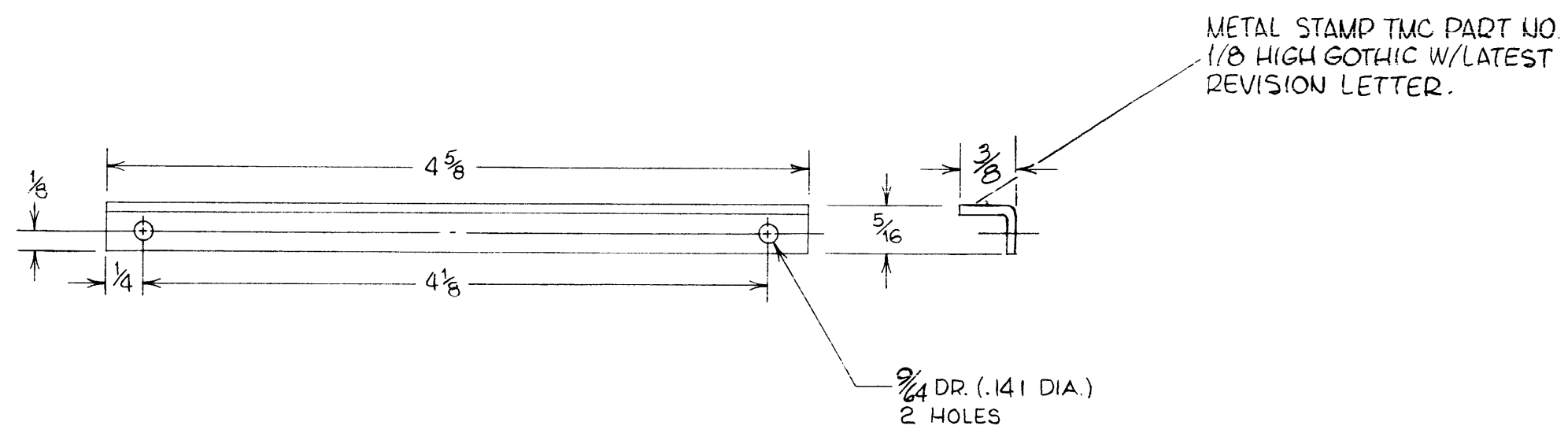


MS 4363

REVISIONS						
BYM	DESCRIPTION	DATE	E.M.N. NO.	DRAFT	CHKD	APPD
X ₁	3/8 WAS 1/4 ; 9/64 DR. WAS 1/8	7-27-65		HCA		
Ø	ORIGINAL RELEASE FOR PRODUCTION	7-28-66	Ø	RME		



REQ'D.	ITEM	PART NUMBER	DESCRIPTION	SYMBOL
LIST OF MATERIAL FORMERLY 5013-12				
MATERIAL		THE TECHNICAL MATERIEL CORP. MAMARONECK, NEW YORK		
5052-H32 ALUMINUM 1/16 (.062) THICK STOCK		TITLE STIFFENER, PC BD, PS		
FINISH		S404 IRIDITE		
UNLESS OTHERWISE SPECIFIED DIMENSIONS ARE IN INCHES AND INCLUDE CHEMICALLY APPLIED OR PLATED FINISHES		DRAWN <i>A. G...</i>	DATE 12-30-64	FINAL APPROVAL <i>[Signature]</i>
		CHECKED <i>E.D. JENSEN</i>	DATE 2/3/65	DATE 7/28/66
		ELECT. DES.	DATE	
		MECH. DES. <i>[Signature]</i>	DATE 2-16-65	
		MS4363		
		SHEET		REV. LTR.

3	CMRA-1	
Q'TY./UNIT	MODEL USED ON	ASS'Y. NO.
SCALE 1/1	CODE	
THE CONTENTS OF THIS DRAWING ARE THE EXCLUSIVE PROPERTY OF THE TECHNICAL MATERIEL CORP. ITS UNAUTHORIZED USE OR REPRODUCTION IN WHOLE OR IN PART IS STRICTLY FORBIDDEN.		

DO NOT SCALE DRAWING.

NOTES