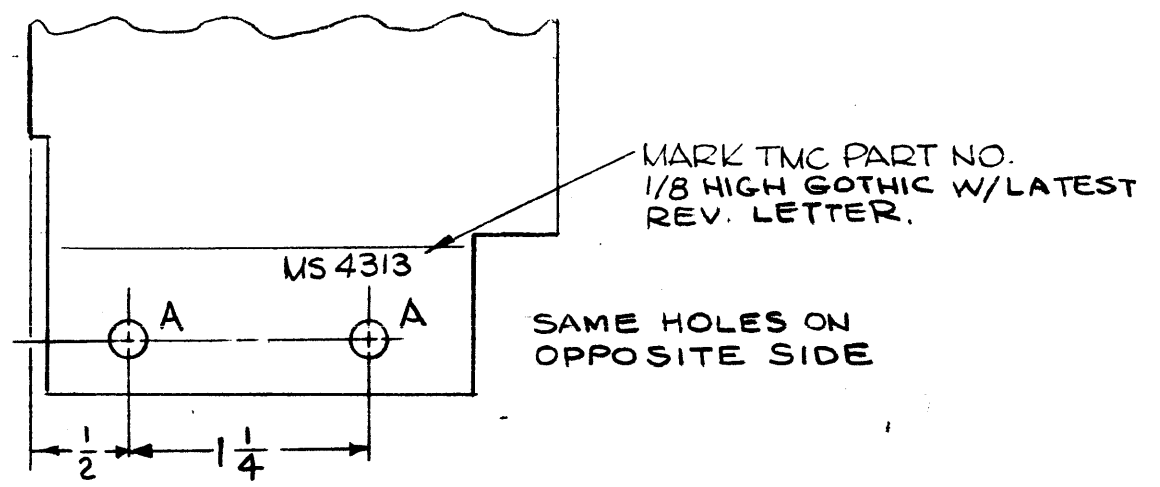


MS4313

REVISIONS					
SYM	DESCRIPTION	DATE	E.M.N. NO.	DRAFT	CHKD APPD
X	EXP. RELEASE	12-31-64	X	SRG	
X ₁	PICTORIAL REVISED	1.6.65	X ₁	SRB	
Ø	ORIGINAL RELEASE FOR PRODUCTION	6.7.66	Ø	WVW	file



HOLES	DESCRIPTION	REQ.
A	.191-.194 DIA.	4

- UNLESS OTHERWISE SPECIFIED:**
- USE MATERIAL THICKNESS FOR MAXIMUM RADIUS ON ALL BENDS
 - REMOVE ALL BURRS AND SHARP EDGES
 - MOUNT INSERTS AFTER FINISHING

NOTES

1	RFTA-1	
Q'TY./UNIT	MODEL USED ON	ASS'Y. NO.
SCALE	CODE	
1:1	A	

THE CONTENTS OF THIS DRAWING ARE THE EXCLUSIVE PROPERTY OF THE TECHNICAL MATERIEL CORP. ITS UNAUTHORIZED USE OR REPRODUCTION IN WHOLE OR IN PART IS STRICTLY FORBIDDEN.

4	1	NT 129-632-4	NUT, PLAIN, SPLINE	A
REQ'D.	ITEM	PART NUMBER	DESCRIPTION	SYMBOL
F. BUDETTI LIST OF MATERIAL				
MATERIAL .064 ALUMINUM 5052-H32			THE TECHNICAL MATERIEL CORP. MAMARONECK, NEW YORK	
FINISH S404 YELLOW IRIDITE			TITLE BAFFLE, AIR	
UNLESS OTHERWISE SPECIFIED DIMENSIONS ARE IN INCHES AND INCLUDE CHEMICALLY APPLIED OR PLATED FINISHES			DRAWN SRG	DATE 12-31-64
DECIMALS .X ± .05 .XX ± .01 .XXX ± .005			CHECKED SRB	DATE
FRACTIONS ± 1/64 ANGLES ± 0° 30'			ELECT. DES. SRB	DATE
TOLERANCES			MECH. DES. SRB	DATE
			FINAL APPROVAL MS4313	
			SHEET	
			REV. LTR.	