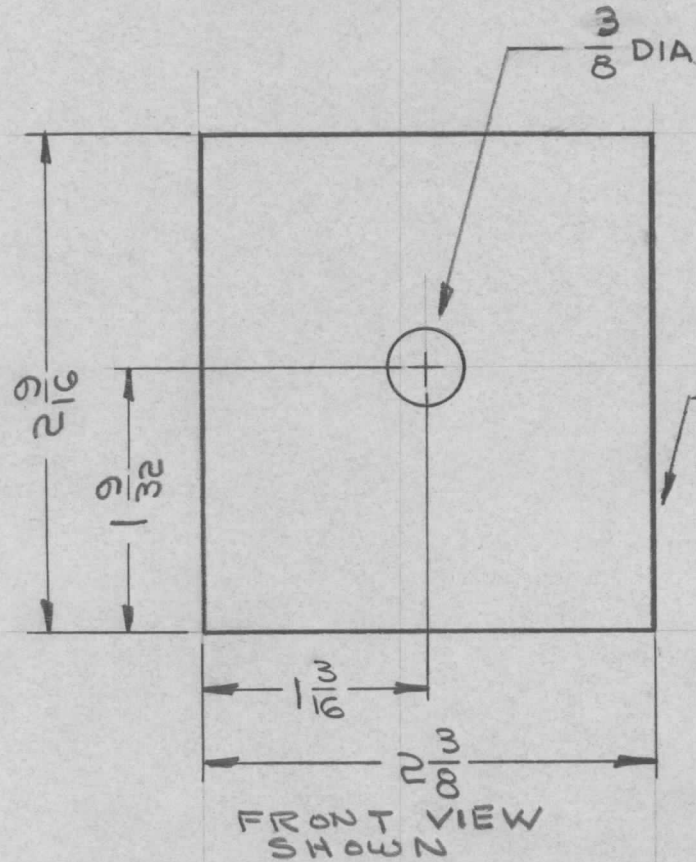


REQ. PER UNIT	USED ON			MS 4298 \emptyset
	MODEL	ASS'Y. NO.	DATE	
1	HFIR-1		1-26-65	



METAL STAMP TMC
P/N ON REAR
W/LATEST REVISION
LETTER.

FINISH NOTES:
 1. S404 - IRIDITE 14-2 AL-COAT.
 2. S114 - ZINC CHROMATE PRIMER } FRONT AND
 3. S115 - SMOOTH GRAY ENAMEL } EDGES ONLY

REF: LD1751

REQ. ITEM	PART NO.	EATON	DESCRIPTION	SYMBOL
	.032 THK		THE TECHNICAL MATERIEL CORP.	
	STOCK SIZE		MAMARONECK, NEW YORK	
\emptyset ORIGINAL RELEASE	8/17/65 \emptyset		PLATE, SWITCH	
X EXPER. RELEASE	1-26-65 X <i>J.M.</i>		(FRONT PANEL)	
SYM	DESCRIPTION	DATE	CH. NO.	DRAFTS
	UNLESS OTHERWISE SPECIFIED	SCALE	1:1	
	DIMENSIONS ARE IN INCHES AND INCLUDE			
	CHEMICALLY APPLIED OR PLATED FINISHES			
DECIMALS	FRACTIONS	CODE		
.X \pm .05	\pm 1/64	A		
.XX \pm .01	ANGLES			
.XXX \pm .005	\pm 0° 30'			
	5052-H32	<i>G. Sinar</i>	<i>J.D. 8/16/65</i>	<i>SEE [Signature]</i>
	TYPE & TEMPER	HEAT TREAT. SPEC.	DRAWN	CHECKED
	SEE NOTES			
	FINISH & SPEC. NO.	ELEC. DES. APP.	MECH. DES. APP.	
				MS4298 \emptyset