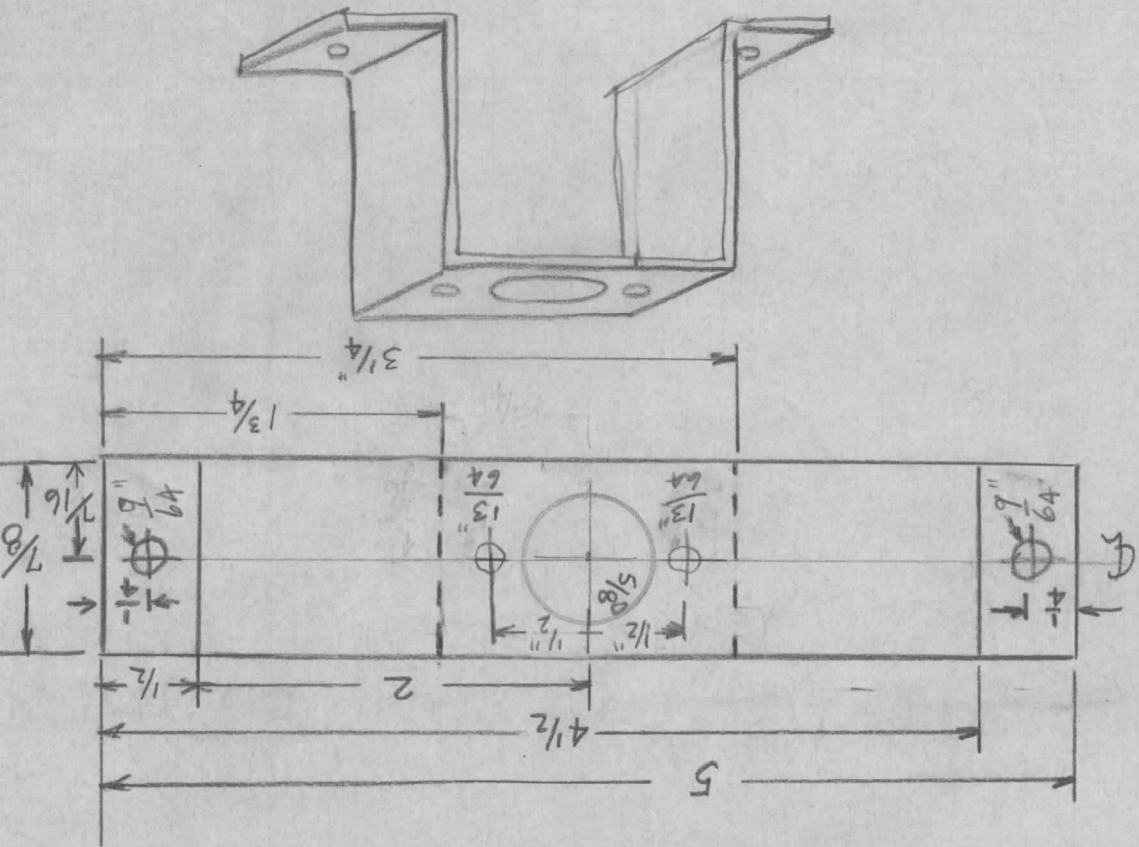


MS-473

UNLESS OTHERWISE SPECIFIED	
DIMENSIONS ARE IN INCHES AND INCLUDE	
CHEMICALLY APPLIED OR PLATED FINISHES	
DECIMALS	FRACTIONS
.X ± .05	± 1/64
.XX ± .01	ANGLES
.XXX ± .005	± 90° 30'
TOLERANCES	

CUT HERE  
GUARANTEED  
2-66



One per Unit  
 USE: 16 Ga 1/4 Hard Alum  
 Finish: Alkali etch + lacquer  
 MAT SIZE 7/8" X 5"

WAS AWS039  
 1/26/54

DATE	12/18/50
DRN.	CMH
CHKD.	R.B.
APPD.	fw

BRACKET FOR  
 VARISTOR-TAK.1

THE TECHNICAL MATERIEL	
CORPORATION	
MAMARONECK, NEW YORK	
SHEET	OF
NO.	MS-473