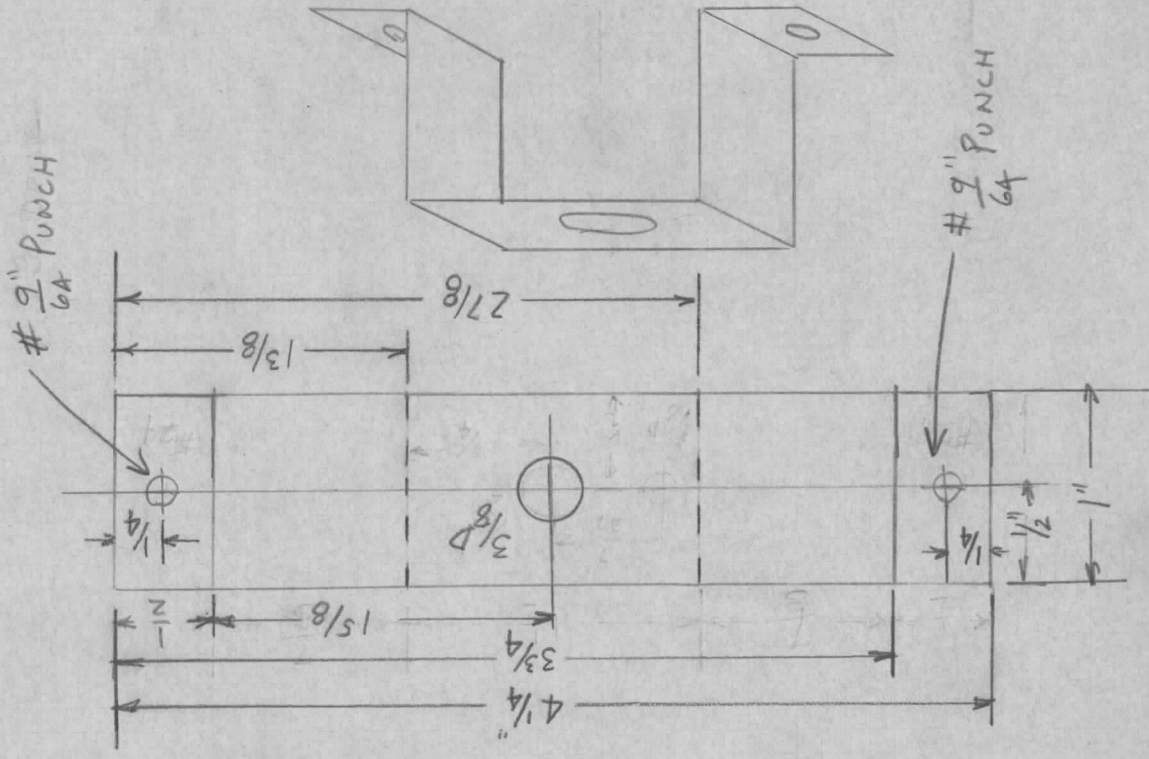


MS-435

USE: 16 Ga $\frac{1}{4}$ hard Alum
FINISH: Alkali etch + Lacquer
MAT. SIZE 1" x $4\frac{1}{4}$ "

UNLESS OTHERWISE SPECIFIED DIMENSIONS ARE IN INCHES AND INCLUDE CHEMICALLY APPLIED OR PLATED FINISHES	
DECIMALS	FRACTIONS
.X \pm .05	\pm 1/64
.XX \pm .01	ANGLES
.XXX \pm .005	\pm 0° 30'
TOLERANCES	

CUT HERE
GUARANTEED
2-66



~~OVER~~

WAS AMS038 11/27/53

DATE 12/19/50	POTENIOMETER BRACKET	THE TECHNICAL MATERIEL CORPORATION	SHEET
DRN. CMH	TMC Standard	MAMARONECK, NEW YORK	OF
CHKD. R.B.			
APPD. fm			NO. MS-435