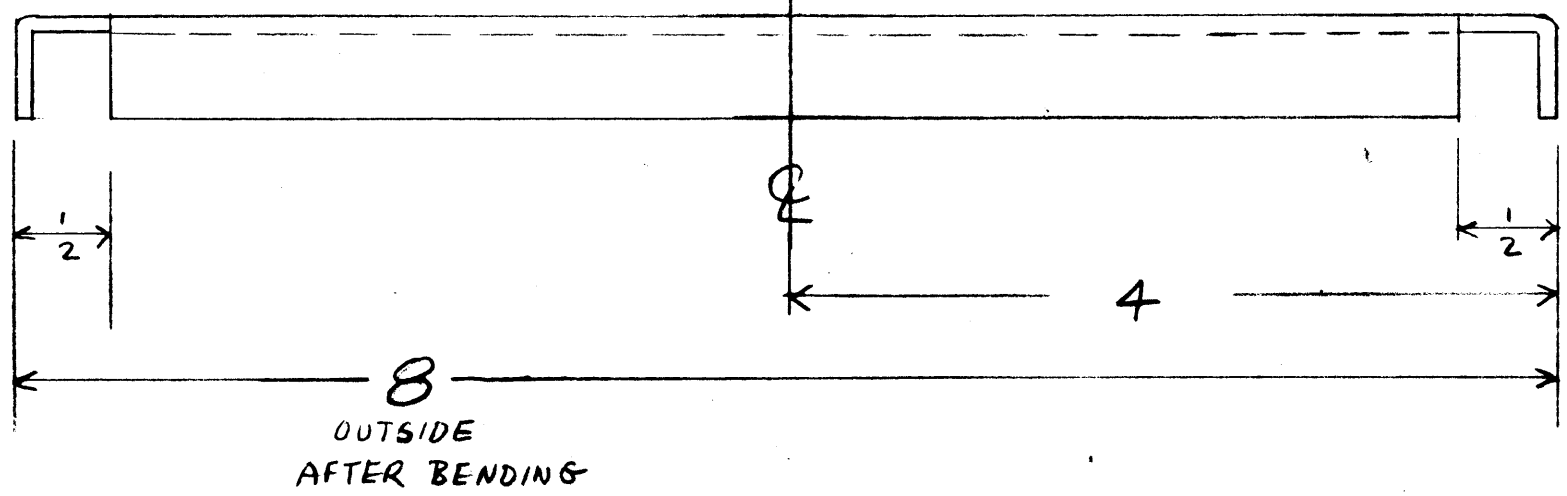
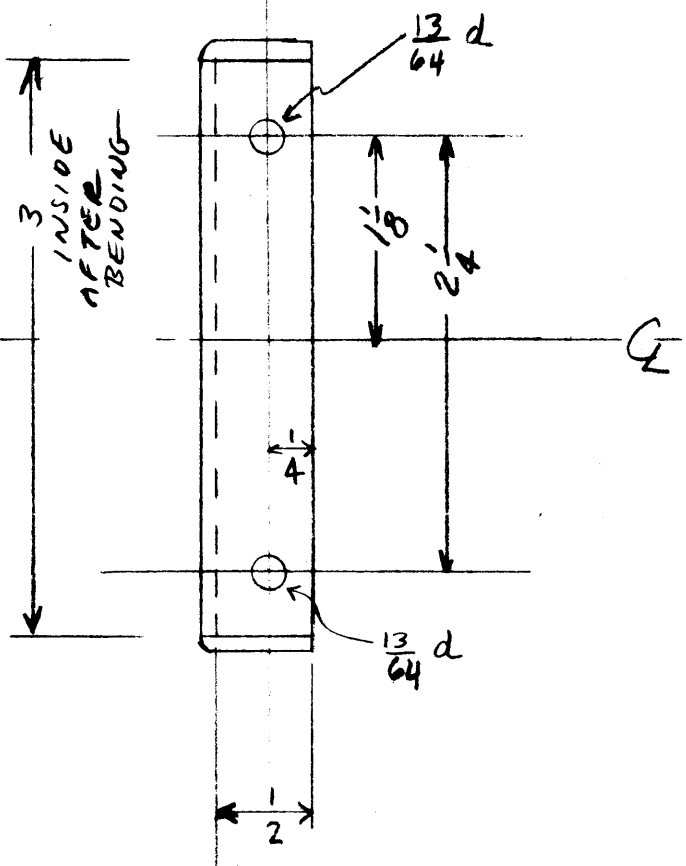
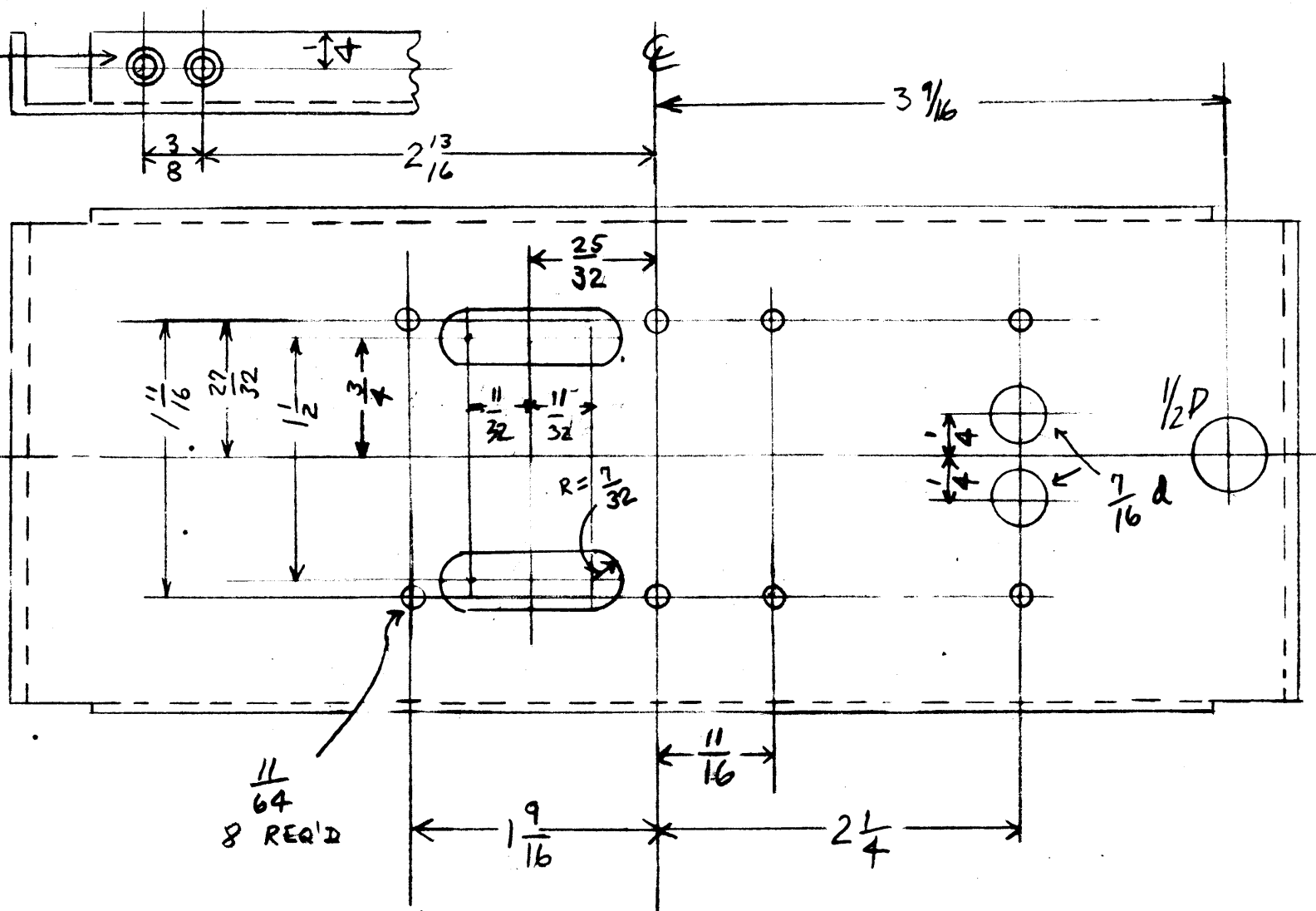
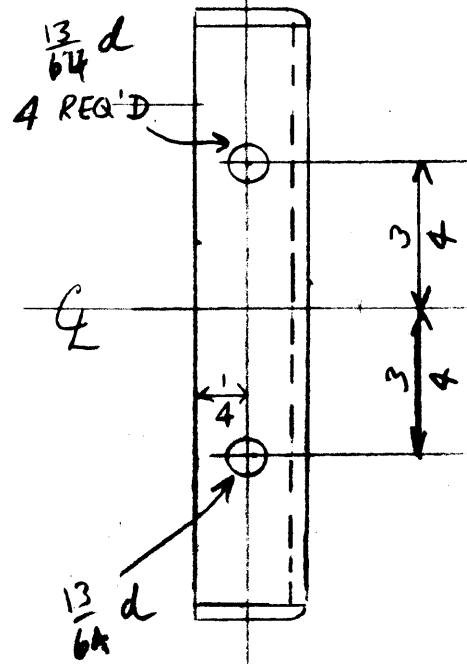


$\frac{1}{8}$ HOLE - CTSK FOR
4-40 FLAT H.S.
2 HOLES REQ'D IN
THIS FLANGE ONLY



NOTICE TO PERSONS RECEIVING THIS DRAWING
THE TECHNICAL MATERIEL CORPORATION claims proprietary right in the material disclosed herein. This drawing is issued in confidence for engineering information only and may not be reproduced or used to manufacture anything shown herein without permission from THE TECHNICAL MATERIEL CORPORATION to the user. This drawing is loaned for mutual assistance and is subject to recall at any time.

Property of:
THE TECHNICAL MATERIEL CORPORATION
MAMARONECK, NEW YORK

ONE PER UNIT
USE: 16 GA $\frac{1}{4}$ HARD ALUM
FINISH: ALKALI ETCH & LACQUER
MAT SIZE 4" x 8 $\frac{29}{32}$

WAS BMS007 1/27/54
TONE TERMINAL RECEIVER
TKM-RC
RIGHT SHELF
SCALE: FULL TOL: $\frac{1}{64}$
DRAWN: P.B. JAN. 15, 1951
APPROVED: *[Signature]* CHKD RB
DWG No: MS-426