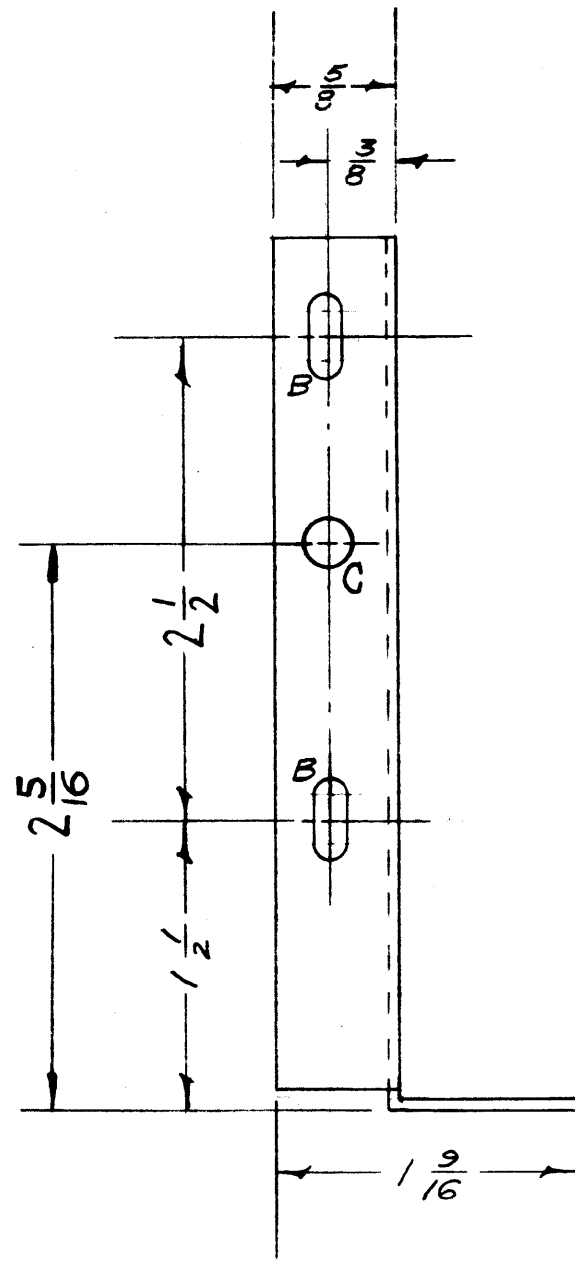
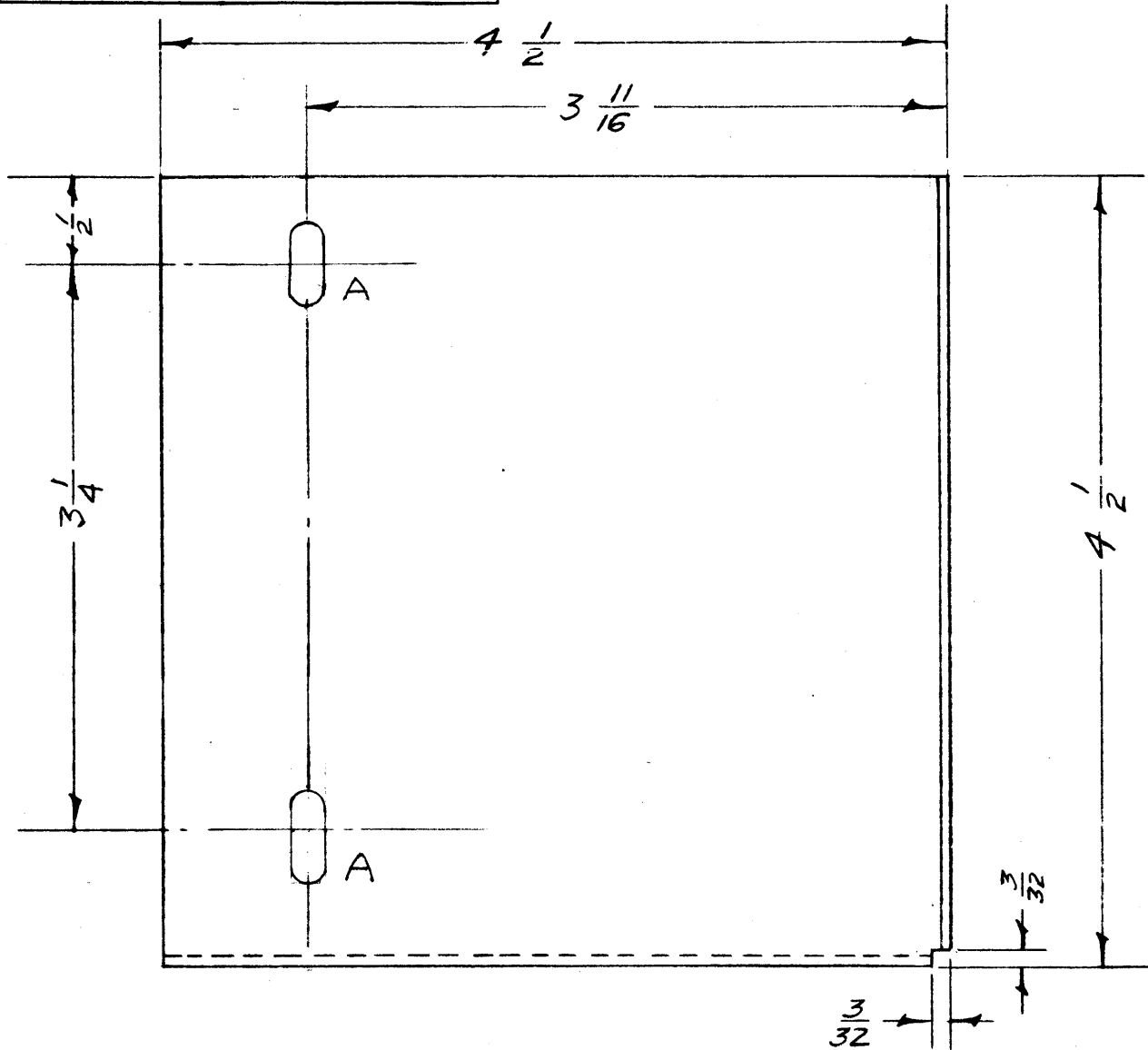


IF IT IS FOUND DESIRABLE TO CHANGE ANY TOLERANCE OR OTHER DETAIL SPECIFIED ON THIS DRAWING NOTIFY THE PURCHASER PROMPTLY.

MAXIMUM ALLOWABLE TOLERANCES HAVE BEEN DETERMINED AND DEVIATIONS WILL BE CAUSE FOR REJECTION. REMOVE ALL BURRS AND SHARP EDGES

MS-408 D

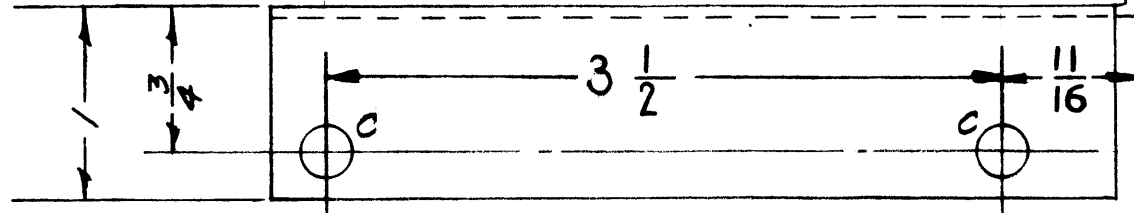


LEGEND
 A = 1/64 X 1/32 SLOT 2 REQ'D.
 B = 3/16 X 1/4 SLOT 2 REQ'D.
 C = 9/32 (.281) D. 3 REQ'D.

NOTICE TO PERSONS RECEIVING THIS DRAWING

THE TECHNICAL MATERIEL CORPORATION claims proprietary right in the material disclosed hereon. This drawing is issued in confidence for engineering information only and may not be reproduced or used to manufacture anything shown hereon without permission from THE TECHNICAL MATERIEL CORPORATION to the user. This drawing is loaned for mutual assistance and is subject to recall at any time.

Property of:
 THE TECHNICAL MATERIEL CORPORATION
 MAMARONECK, NEW YORK



| ISSUE | ITEM | CHANGED FROM | DATE | CN. NO. | DRAFTS | CHECKER | ENG. APP. |
|-------|------|---------------------------|----------|---------|--------|---------|-----------|
| D | 1 | Hole Added (Side Lip) | 12/51/54 | 4044 | RU | WLS | SM |
| C | 1 | S-404 WAS S-101 | 12/11/54 | 1001 | AB | WLS | EMN |
| B | 1 | "A" SLOTS TURNED 90° | 1/21/54 | 2 | SC | WLS | WLS |
| A | 1 | "C" HOLE MOVED (WAS 1/16) | 1/29/54 | 1 | WLS | WLS | WLS |

| TOLERANCES | | SCALE: |
|---|---|--------|
| ALL OTHERS | DEC. DIM. ± FRAC. DIM. ± ANGULAR DIM. ± | ff |
| DRILL, PUNCH, COMMERCIAL STOCK SIZES AND MANUFACTURERS TOLERANCES ARE NOT INCLUDED. | | |

| | | | | |
|----------|-------|-------------|--------------------|---------|
| 1 | XFK | 242 | A-684 (Pg. 1 of 3) | 10-5-52 |
| Per UNIT | MODEL | PROJECT NO. | ASS'Y. NO. | DATE |

| REQ. ITEM | PART NO. | DESCRIPTION | SYMBOL |
|----------------------|----------|--|----------------|
| .064 | | THE TECHNICAL MATERIEL CORP. MAMARONECK, NEW YORK | |
| ALUMINUM | ff | TRANSFORMER BRACKET, FRONT | |
| 5052 - H32 | | 16 10-5-53 | A.J.J. |
| ff | | CHECKED | FINAL APPROVAL |
| 5-404 YELLOW IRIDITE | | | |
| FINI H & SPEC. NO. | | | |

MS-408 D