

IF IT IS FOUND DESIRABLE TO CHANGE ANY TOLERANCE OR OTHER DETAIL SPECIFIED ON THIS DRAWING NOTIFY THE PURCHASER PROMPTLY.

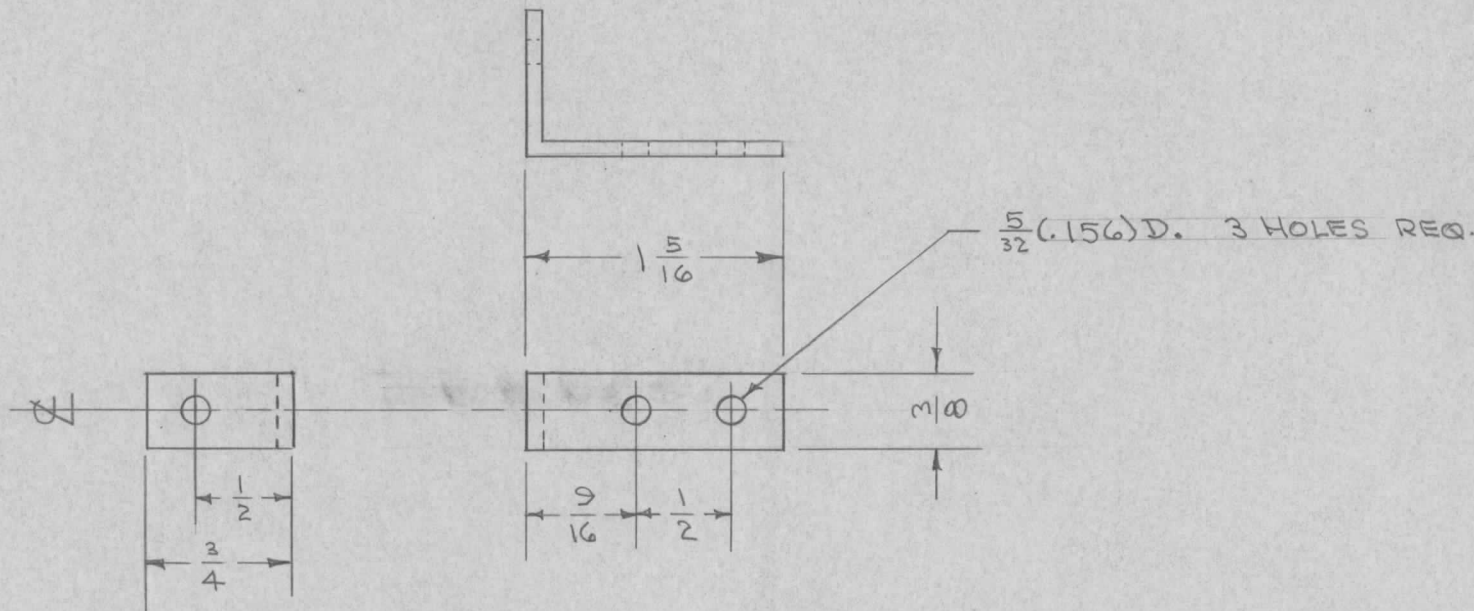
MS-405

A

MAXIMUM ALLOWABLE TOLERANCES HAVE BEEN DETERMINED AND DEVIATIONS WILL BE CAUSE FOR REJECTION. REMOVE ALL BURRS AND SHARP EDGES

USED ON

MODEL	PROJECT NO.	ASS'Y. NO.	DATE
RSC-1 <i>abcidje</i>	170	A-553	9-30-53



REQ.	ITEM	PART NO.	DESCRIPTION	SYMBOL
		.064	THE TECHNICAL MATERIEL CORP.	
		STOCK SIZE	MAMARONECK, NEW YORK	
	ALUMINUM	#	BRACKET, TERM. BD.	
	MATERIAL	WEIGHT PER PC.	RSC-1	
		52S-H32		
		TYPE & TEMPER	G.D.D. 9-30-53	G.T.O
			DRAWN	ELEC. DES. APP.
			MECH. DES. APP.	
		HEAT TREAT. SPEC.	G.T.O	
			CHECKED	FINAL APPROVAL
		FINISH & SPEC. NO.		
		S404-IRIDITE		
			MS-405	A

A	1	S404-IRIDITE WAS S101-CAUSTIC DIP	12-7 59	1001	P	EMN
ISSUE	ITEM	CHANGED FROM	DATE	CN. NO.	DRAFTS CHECKER	ENG. APP.

TOLERANCES

SCALE #

ALL OTHERS

DEC. DIM.  $\pm$   
FRAC. DIM.  $\pm \frac{1}{64}$   
ANGULAR DIM.  $\pm$

DRILL, PUNCH, COMMERCIAL STOCK  
SIZES AND MANUFACTURERS  
TOLERANCES ARE NOT INCLUDED.