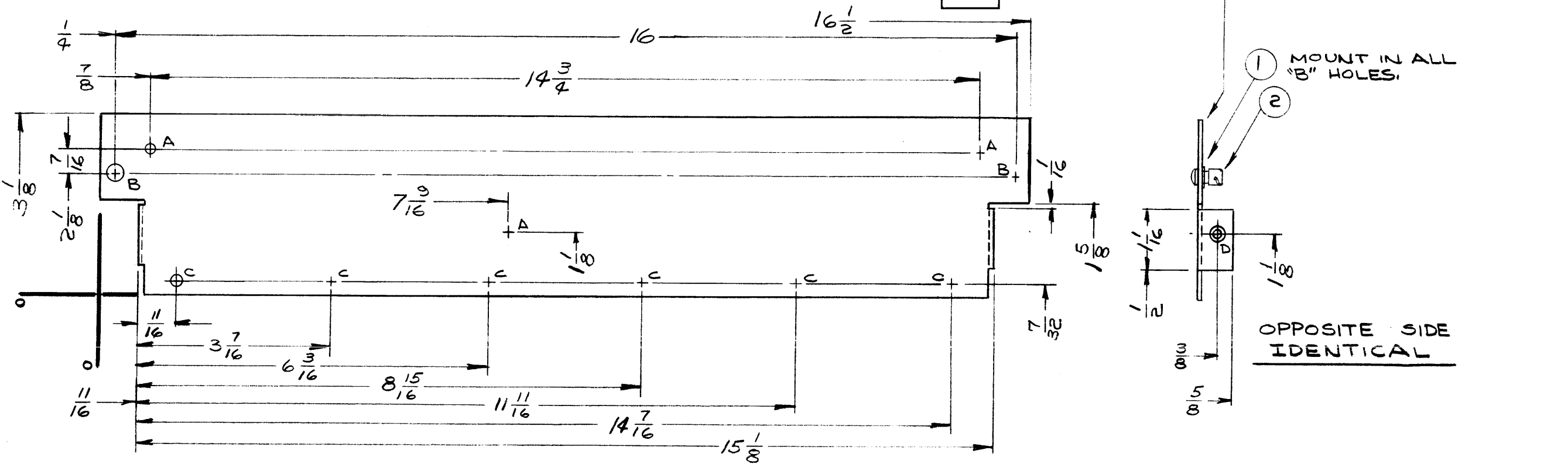


MS4092

REVISIONS

SYM	DESCRIPTION	DATE	E.M.N. NO.	DRAFT	CHKD	APPD
X1	REDRAWN - NO CHANGES	1-25-65	X1	JM	JM	
Ø	ORIGINAL RELEASE FOR PRODUCTION	2-10-65	Ø	JL	JL	



METAL STAMP TMC P/N W/LATEST REVISION LETTER

1 MOUNT IN ALL "B" HOLES.
2

OPPOSITE SIDE IDENTICAL

HOLE	DESCRIPTION	REQ.
A	1/8 DIA	3
B	1/4 DIA	2
C	9/64 DIA	6
D	.120 DIA. C'SINK 82° TO .230 DIA	2

UNLESS OTHERWISE SPECIFIED:

1. USE MATERIAL THICKNESS FOR MAXIMUM RADIUS ON ALL BENDS
2. ALL ANGULAR BENDS 90 DEGREES
3. REMOVE ALL BURRS AND SHARP EDGES
4. MOUNT INSERTS AFTER FINISHING

REQ'D.	ITEM	PART NUMBER	DESCRIPTION	SYMBOL
2	2	FS109-3	RING, RETAINING	B
2	1	FS110-1	STUD, TURNLOCK	B

EATON		LIST OF MATERIAL	
MATERIAL .062 ALUMINUM 5052-H32		THE TECHNICAL MATERIEL CORP. MAMARONECK, NEW YORK	
FINISH S404-YELLOW IRIDITE		TITLE COVER - P.C. CARD BIN	
UNLESS OTHERWISE SPECIFIED DIMENSIONS ARE IN INCHES AND INCLUDE CHEMICALLY APPLIED OR PLATED FINISHES		DRAWN J.M. Jordan	DATE 1-25-65
DECIMALS .X ± .05 .XX ± .01 .XXX ± .005		CHECKED J.M. Jordan	DATE 2/19/65
FRACTIONS ± 1/64 ANGLES ± 0° 30'		ELECT. DES. J.M. Jordan	DATE 2/18/65
TOLERANCES		MECH. DES. W. JORDAN	DATE 2/18/65
THE CONTENTS OF THIS DRAWING ARE THE EXCLUSIVE PROPERTY OF THE TECHNICAL MATERIEL CORP. ITS UNAUTHORIZED USE OR REPRODUCTION IN WHOLE OR IN PART IS STRICTLY FORBIDDEN.		FINAL APPROVAL J.M. Jordan	
SCALE 1:2		DATE 2/18/65	
CODE A		DATE 2/18/65	
ASS'Y. NO. A4018		DATE 2/18/65	
Q'TY./UNIT 2		DATE 2/18/65	
MODEL USED ON RTIA-1		DATE 2/18/65	
ASS'Y. NO. A4018		DATE 2/18/65	
SCALE 1:2		DATE 2/18/65	
CODE A		DATE 2/18/65	
ASS'Y. NO. A4018		DATE 2/18/65	
Q'TY./UNIT 2		DATE 2/18/65	
MODEL USED ON RTIA-1		DATE 2/18/65	
ASS'Y. NO. A4018		DATE 2/18/65	
SCALE 1:2		DATE 2/18/65	
CODE A		DATE 2/18/65	
ASS'Y. NO. A4018		DATE 2/18/65	
Q'TY./UNIT 2		DATE 2/18/65	
MODEL USED ON RTIA-1		DATE 2/18/65	
ASS'Y. NO. A4018		DATE 2/18/65	
SCALE 1:2		DATE 2/18/65	
CODE A		DATE 2/18/65	
ASS'Y. NO. A4018		DATE 2/18/65	
Q'TY./UNIT 2		DATE 2/18/65	
MODEL USED ON RTIA-1		DATE 2/18/65	
ASS'Y. NO. A4018		DATE 2/18/65	
SCALE 1:2		DATE 2/18/65	
CODE A		DATE 2/18/65	
ASS'Y. NO. A4018		DATE 2/18/65	
Q'TY./UNIT 2		DATE 2/18/65	
MODEL USED ON RTIA-1		DATE 2/18/65	
ASS'Y. NO. A4018		DATE 2/18/65	
SCALE 1:2		DATE 2/18/65	
CODE A		DATE 2/18/65	
ASS'Y. NO. A4018		DATE 2/18/65	
Q'TY./UNIT 2		DATE 2/18/65	
MODEL USED ON RTIA-1		DATE 2/18/65	
ASS'Y. NO. A4018		DATE 2/18/65	
SCALE 1:2		DATE 2/18/65	
CODE A		DATE 2/18/65	
ASS'Y. NO. A4018		DATE 2/18/65	
Q'TY./UNIT 2		DATE 2/18/65	
MODEL USED ON RTIA-1		DATE 2/18/65	
ASS'Y. NO. A4018		DATE 2/18/65	
SCALE 1:2		DATE 2/18/65	
CODE A		DATE 2/18/65	
ASS'Y. NO. A4018		DATE 2/18/65	
Q'TY./UNIT 2		DATE 2/18/65	
MODEL USED ON RTIA-1		DATE 2/18/65	
ASS'Y. NO. A4018		DATE 2/18/65	
SCALE 1:2		DATE 2/18/65	
CODE A		DATE 2/18/65	
ASS'Y. NO. A4018		DATE 2/18/65	
Q'TY./UNIT 2		DATE 2/18/65	
MODEL USED ON RTIA-1		DATE 2/18/65	
ASS'Y. NO. A4018		DATE 2/18/65	
SCALE 1:2		DATE 2/18/65	
CODE A		DATE 2/18/65	
ASS'Y. NO. A4018		DATE 2/18/65	
Q'TY./UNIT 2		DATE 2/18/65	
MODEL USED ON RTIA-1		DATE 2/18/65	
ASS'Y. NO. A4018		DATE 2/18/65	
SCALE 1:2		DATE 2/18/65	
CODE A		DATE 2/18/65	
ASS'Y. NO. A4018		DATE 2/18/65	
Q'TY./UNIT 2		DATE 2/18/65	
MODEL USED ON RTIA-1		DATE 2/18/65	
ASS'Y. NO. A4018		DATE 2/18/65	
SCALE 1:2		DATE 2/18/65	
CODE A		DATE 2/18/65	
ASS'Y. NO. A4018		DATE 2/18/65	
Q'TY./UNIT 2		DATE 2/18/65	
MODEL USED ON RTIA-1		DATE 2/18/65	
ASS'Y. NO. A4018		DATE 2/18/65	
SCALE 1:2		DATE 2/18/65	
CODE A		DATE 2/18/65	
ASS'Y. NO. A4018		DATE 2/18/65	
Q'TY./UNIT 2		DATE 2/18/65	
MODEL USED ON RTIA-1		DATE 2/18/65	
ASS'Y. NO. A4018		DATE 2/18/65	
SCALE 1:2		DATE 2/18/65	
CODE A		DATE 2/18/65	
ASS'Y. NO. A4018		DATE 2/18/65	
Q'TY./UNIT 2		DATE 2/18/65	
MODEL USED ON RTIA-1		DATE 2/18/65	
ASS'Y. NO. A4018		DATE 2/18/65	
SCALE 1:2		DATE 2/18/65	
CODE A		DATE 2/18/65	
ASS'Y. NO. A4018		DATE 2/18/65	
Q'TY./UNIT 2		DATE 2/18/65	
MODEL USED ON RTIA-1		DATE 2/18/65	
ASS'Y. NO. A4018		DATE 2/18/65	
SCALE 1:2		DATE 2/18/65	
CODE A		DATE 2/18/65	
ASS'Y. NO. A4018		DATE 2/18/65	
Q'TY./UNIT 2		DATE 2/18/65	
MODEL USED ON RTIA-1		DATE 2/18/65	
ASS'Y. NO. A4018		DATE 2/18/65	
SCALE 1:2		DATE 2/18/65	
CODE A		DATE 2/18/65	
ASS'Y. NO. A4018		DATE 2/18/65	
Q'TY./UNIT 2		DATE 2/18/65	
MODEL USED ON RTIA-1		DATE 2/18/65	
ASS'Y. NO. A4018		DATE 2/18/65	
SCALE 1:2		DATE 2/18/65	
CODE A		DATE 2/18/65	
ASS'Y. NO. A4018		DATE 2/18/65	
Q'TY./UNIT 2		DATE 2/18/65	
MODEL USED ON RTIA-1		DATE 2/18/65	
ASS'Y. NO. A4018		DATE 2/18/65	
SCALE 1:2		DATE 2/18/65	
CODE A		DATE 2/18/65	
ASS'Y. NO. A4018		DATE 2/18/65	
Q'TY./UNIT 2		DATE 2/18/65	
MODEL USED ON RTIA-1		DATE 2/18/65	
ASS'Y. NO. A4018		DATE 2/18/65	
SCALE 1:2		DATE 2/18/65	
CODE A		DATE 2/18/65	
ASS'Y. NO. A4018		DATE 2/18/65	
Q'TY./UNIT 2		DATE 2/18/65	
MODEL USED ON RTIA-1		DATE 2/18/65	
ASS'Y. NO. A4018		DATE 2/18/65	
SCALE 1:2		DATE 2/18/65	
CODE A		DATE 2/18/65	
ASS'Y. NO. A4018		DATE 2/18/65	
Q'TY./UNIT 2		DATE 2/18/65	
MODEL USED ON RTIA-1		DATE 2/18/65	
ASS'Y. NO. A4018		DATE 2/18/65	
SCALE 1:2		DATE 2/18/65	
CODE A		DATE 2/18/65	
ASS'Y. NO. A4018		DATE 2/18/65	
Q'TY./UNIT 2		DATE 2/18/65	
MODEL USED ON RTIA-1		DATE 2/18/65	
ASS'Y. NO. A4018		DATE 2/18/65	
SCALE 1:2		DATE 2/18/65	
CODE A		DATE 2/18/65	
ASS'Y. NO. A4018		DATE 2/18/65	
Q'TY./UNIT 2		DATE 2/18/65	
MODEL USED ON RTIA-1		DATE 2/18/65	
ASS'Y. NO. A4018		DATE 2/18/65	
SCALE 1:2		DATE 2/18/65	
CODE A		DATE 2/18/65	
ASS'Y. NO. A4018		DATE 2/18/65	
Q'TY./UNIT 2		DATE 2/18/65	
MODEL USED ON RTIA-1		DATE 2/18/65	
ASS'Y. NO. A4018		DATE 2/18/65	
SCALE 1:2		DATE 2/18/65	
CODE A		DATE 2/18/65	
ASS'Y. NO. A4018		DATE 2/18/65	
Q'TY./UNIT 2		DATE 2/18/65	
MODEL USED ON RTIA-1		DATE 2/18/65	
ASS'Y. NO. A4018		DATE 2/18/65	
SCALE 1:2		DATE 2/18/65	
CODE A		DATE 2/18/65	
ASS'Y. NO. A4018		DATE 2/18/65	
Q'TY./UNIT 2		DATE 2/18/65	
MODEL USED ON RTIA-1		DATE 2/18/65	
ASS'Y. NO. A4018		DATE 2/18/65	
SCALE 1:2		DATE 2/18/65	
CODE A		DATE 2/18/65	
ASS'Y. NO. A4018		DATE 2/18/65	
Q'TY./UNIT 2		DATE 2/18/65	
MODEL USED ON RTIA-1		DATE 2/18/65	
ASS'Y. NO. A4018		DATE 2/18/65	
SCALE 1:2		DATE 2/18/65	
CODE A		DATE 2/18/65	
ASS'Y. NO. A4018		DATE 2/18/65	
Q'TY./UNIT 2		DATE 2/18/65	
MODEL USED ON RTIA-1		DATE 2/18/65	
ASS'Y. NO. A4018		DATE 2/18/65	
SCALE 1:2		DATE 2/18/65	
CODE A		DATE 2/18/65	
ASS'Y. NO. A4018		DATE 2/18/65	
Q'TY./UNIT 2		DATE 2/18/65	
MODEL USED ON RTIA-1		DATE 2/18/65	
ASS'Y. NO. A4018		DATE 2/18/65	
SCALE 1:2		DATE 2/18/65	
CODE A		DATE 2/18/65	
ASS'Y. NO. A4018		DATE 2/18/65	
Q'TY./UNIT 2		DATE 2/18/65	
MODEL USED ON RTIA-1		DATE 2/18/65	
ASS'Y. NO. A4018		DATE 2/18/65	
SCALE 1:2		DATE 2/18/65	
CODE A		DATE 2/18/65	
ASS'Y. NO. A4018		DATE 2/18/65	
Q'TY./UNIT 2		DATE 2/18/65	
MODEL USED ON RTIA-1		DATE 2/18/65	
ASS'Y. NO. A4018		DATE 2/18/65	
SCALE 1:2		DATE 2/18/65	
CODE A		DATE 2/18/65	
ASS'Y. NO. A4018		DATE 2/18/65	
Q'TY./UNIT 2		DATE 2/18/65	
MODEL USED ON RTIA-1		DATE 2/18/65	
ASS'Y. NO. A4018		DATE 2/18/65	
SCALE 1:2		DATE 2/18/65	
CODE A		DATE 2/18/65	
ASS'Y. NO. A4018		DATE 2/18/65	
Q'TY./UNIT 2		DATE 2/18/65	
MODEL USED ON RTIA-1		DATE 2/18/65	
ASS'Y. NO. A4018		DATE 2/18/65	
SCALE 1:2		DATE 2/18/65	
CODE A		DATE 2/18/65	
ASS'Y. NO. A4018		DATE 2/18/65	
Q'TY./UNIT 2		DATE 2/18/65	
MODEL USED ON RTIA-1		DATE 2/18/65	
ASS'Y. NO. A4018		DATE 2/18/65	
SCALE 1:2		DATE 2/18/65	
CODE A		DATE 2/18/65	
ASS'Y. NO. A4018		DATE 2/18/65	
Q'TY./UNIT 2		DATE 2/18/65	
MODEL USED ON RTIA-1		DATE 2/18/65	
ASS'Y. NO. A4018		DATE 2/18/65	
SCALE 1:2		DATE 2/18/65	
CODE A		DATE 2/18/65	
ASS'Y. NO. A4018		DATE 2/18/65	
Q'TY./UNIT 2		DATE 2/18/65	
MODEL USED ON RTIA-1		DATE 2/18/65	
ASS'Y. NO. A4018		DATE 2/18/65	
SCALE 1:2		DATE 2/18/65	
CODE A		DATE 2/18/65	
ASS'Y. NO. A4018		DATE 2/18/65	
Q'TY./UNIT 2		DATE 2/18/65	
MODEL USED ON RTIA-1		DATE 2/18/65	
ASS'Y. NO. A4018		DATE 2/18/65	
SCALE 1:2		DATE 2/18/65	
CODE A		DATE 2/18/65	
ASS'Y. NO. A4018		DATE 2/18/65	
Q'TY./UNIT 2		DATE 2/18/65	
MODEL USED ON RTIA-1		DATE 2/18/65	
ASS'Y. NO. A4018		DATE 2/18/65	
SCALE 1:2		DATE 2/18/65	
CODE A		DATE 2/18/65	
ASS'Y. NO. A4018		DATE 2/18/65	
Q'TY./UNIT 2		DATE 2/18/65	
MODEL USED ON RTIA-1		DATE 2/18/65	
ASS'Y. NO. A4018		DATE 2/18/65	
SCALE 1:2		DATE 2/18/65	
CODE A		DATE 2/18/65	
ASS'Y. NO. A4018		DATE 2/18/65	
Q'TY./UNIT 2		DATE 2/18/65	
MODEL USED ON RTIA-1		DATE 2/18/65	
ASS'Y. NO. A4018		DATE 2/18/65	
SCALE 1:2		DATE 2/18/65	
CODE A		DATE 2/18/65	
ASS'Y. NO. A4018		DATE 2/18/65	
Q'T			