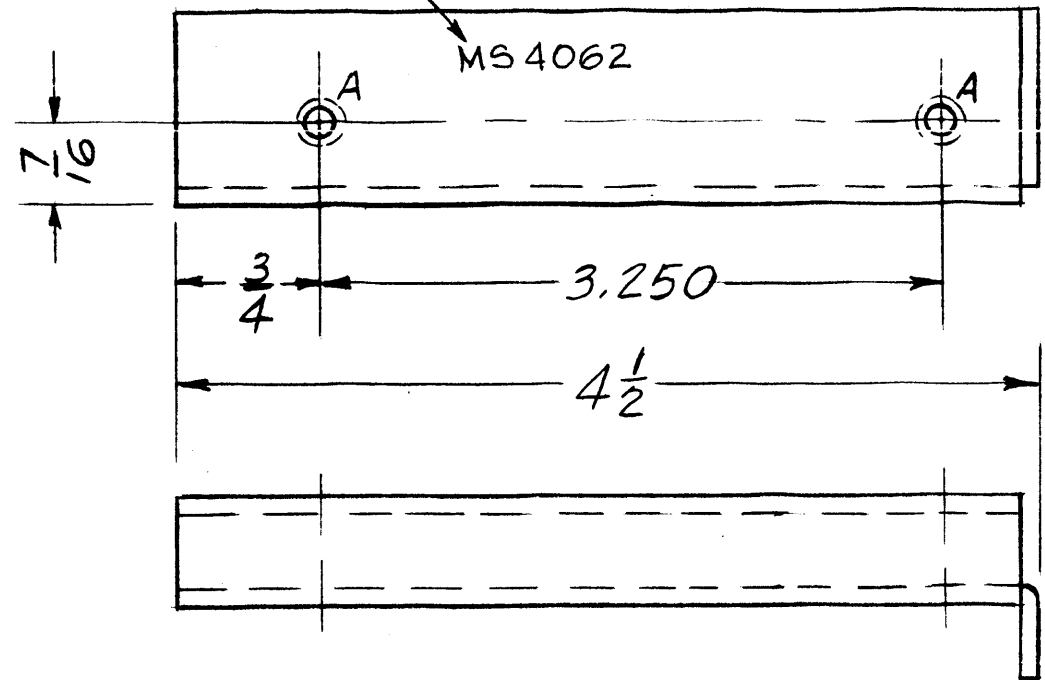


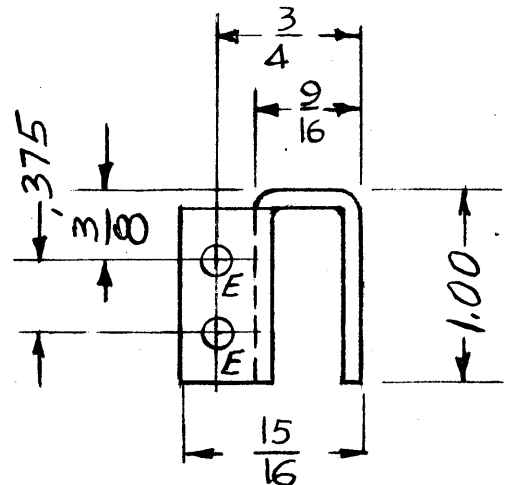
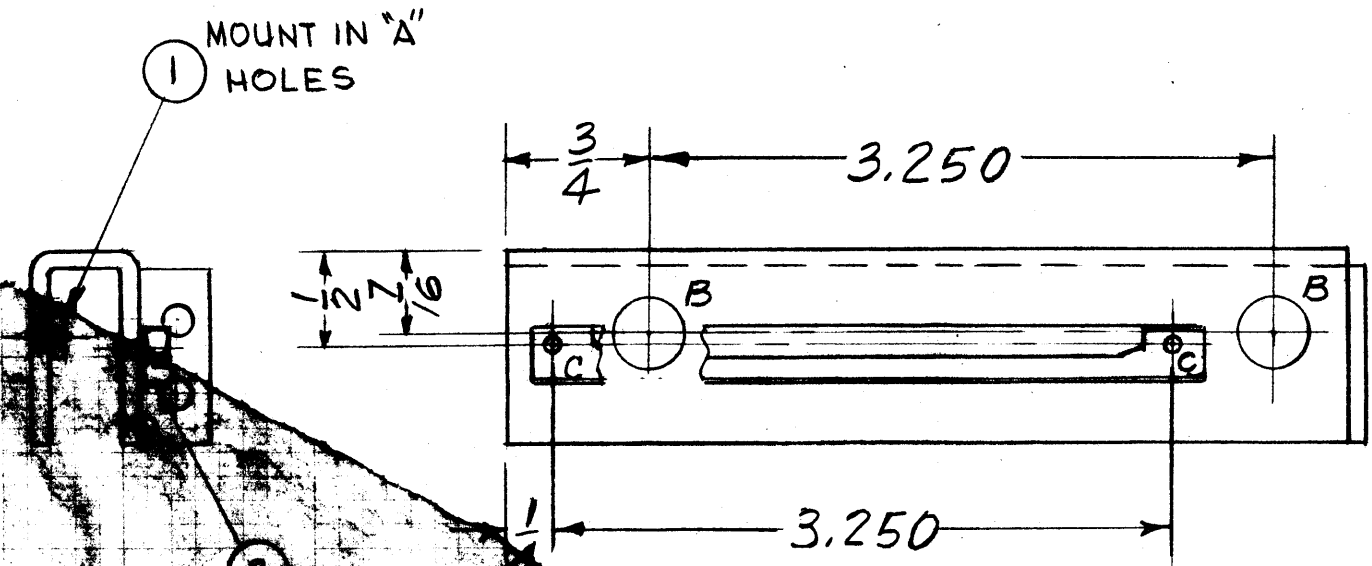
METAL STAMP TMC P/No. 1/8 HIGH GOTHIC W/LATES REV. LETTER



MS4062

REVISIONS					
SYM	DESCRIPTION	DATE	E.M.N. NO.	DRAFT	CHKD APPD
X	EXPER. RELEASE				
XI	DIA. "C" HOLE WAS .98	12-23-64		G.D.L.	
Ø	ORIGINAL RELEASE FOR PRODUCTION	4-9-65	Ø	Ø L	

HOLE	DESCRIPTION	REQ
A	.161-.164 DIA	2
B	.3/8 DIA.	2
C	.098 DIA	2
E	9/64 DIA	2



REQ'D.	ITEM	PART NUMBER	DESCRIPTION	SYMBOL
1	3	CU157-1	RETAINER, P.C. BOARD	C
2	2	EY101-3	EYELET, MTL	C
2	1	NT129-440-5	NUT, PLAIN, SPLINE	A

O. POSE				LIST OF MATERIAL	
MATERIAL		.093 THK ALUMINUM 5052-H32		THE TECHNICAL MATERIEL CORP. MAMARONECK, NEW YORK	
FINISH		5404 YEL IRIDITE		TITLE BRACKET, MTG. RETAINER BOARD RIGHT, RF	
UNLESS OTHERWISE SPECIFIED DIMENSIONS ARE IN INCHES AND INCLUDE CHEMICALLY APPLIED OR PLATED FINISHES				DRAWN	G.D.L.
				CHECKED	Ø
				ELECT. DES.	
				MECH. DES.	
DATE		12-10-64		FINAL APPROVAL	
DATE		1-8-65		MS4062	
DATE				Ø	
DATE				REV. LTR.	

- USE MATERIAL THICKNESS FOR MINIMUM RADIUS ON ALL BENDS
- ALL ANGULAR BENDS 90 DEGREES
- REMOVE ALL BURRS AND SHARP EDGES
- MOUNT INSERTS AFTER FINISHING

NOTES

4	VLRB-1	
Q'TY./UNIT	MODEL USED ON	ASS'Y. NO.
SCALE	CODE	
1:1	A	

THE CONTENTS OF THIS DRAWING ARE THE EXCLUSIVE PROPERTY OF THE TECHNICAL MATERIEL CORP. ITS UNAUTHORIZED USE OR REPRODUCTION IN WHOLE OR IN PART IS STRICTLY FORBIDDEN.

DECIMALS	FRACTIONS
.X ± .05	± 1/64
.XX ± .01	ANGLES
.XXX ± .005	± 0° 30'