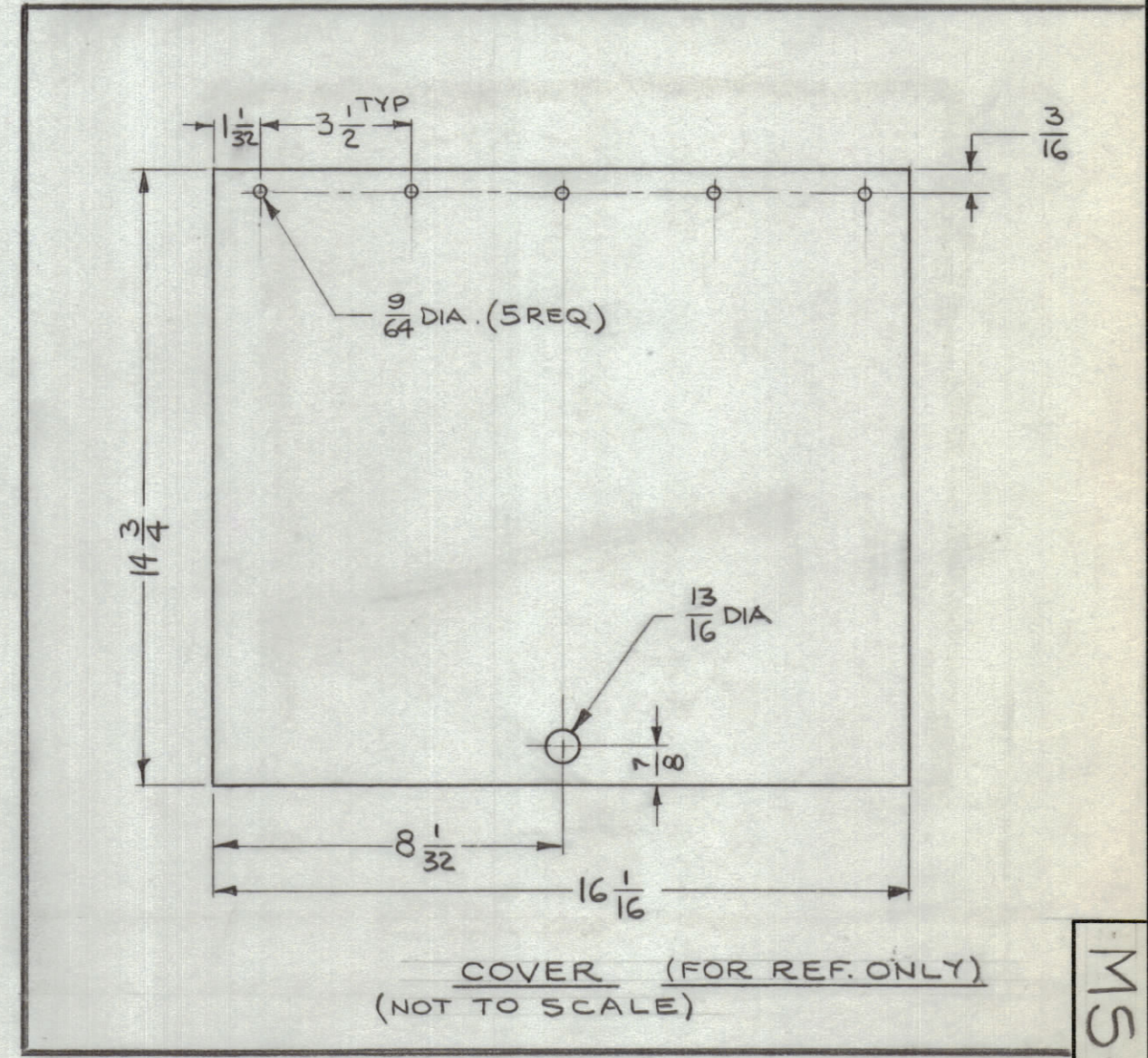
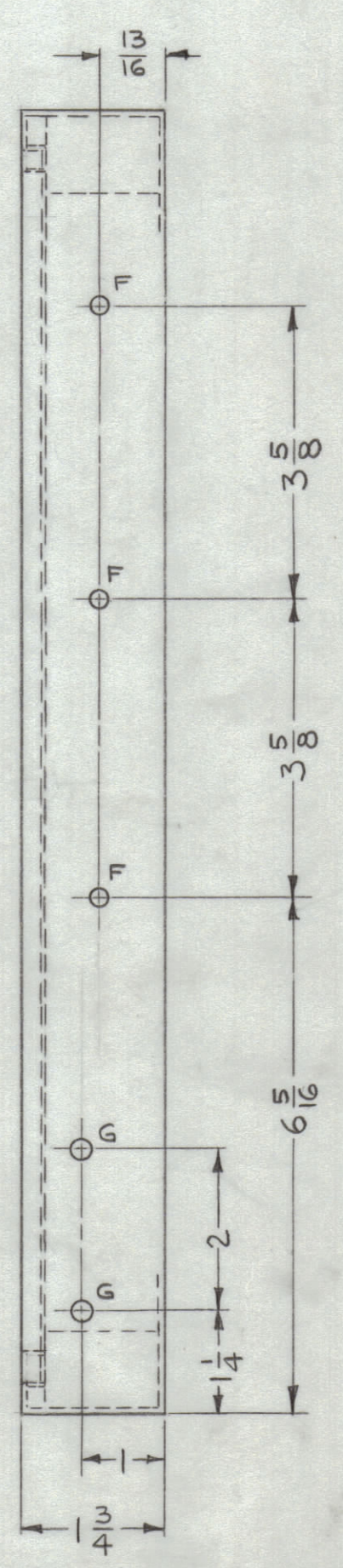
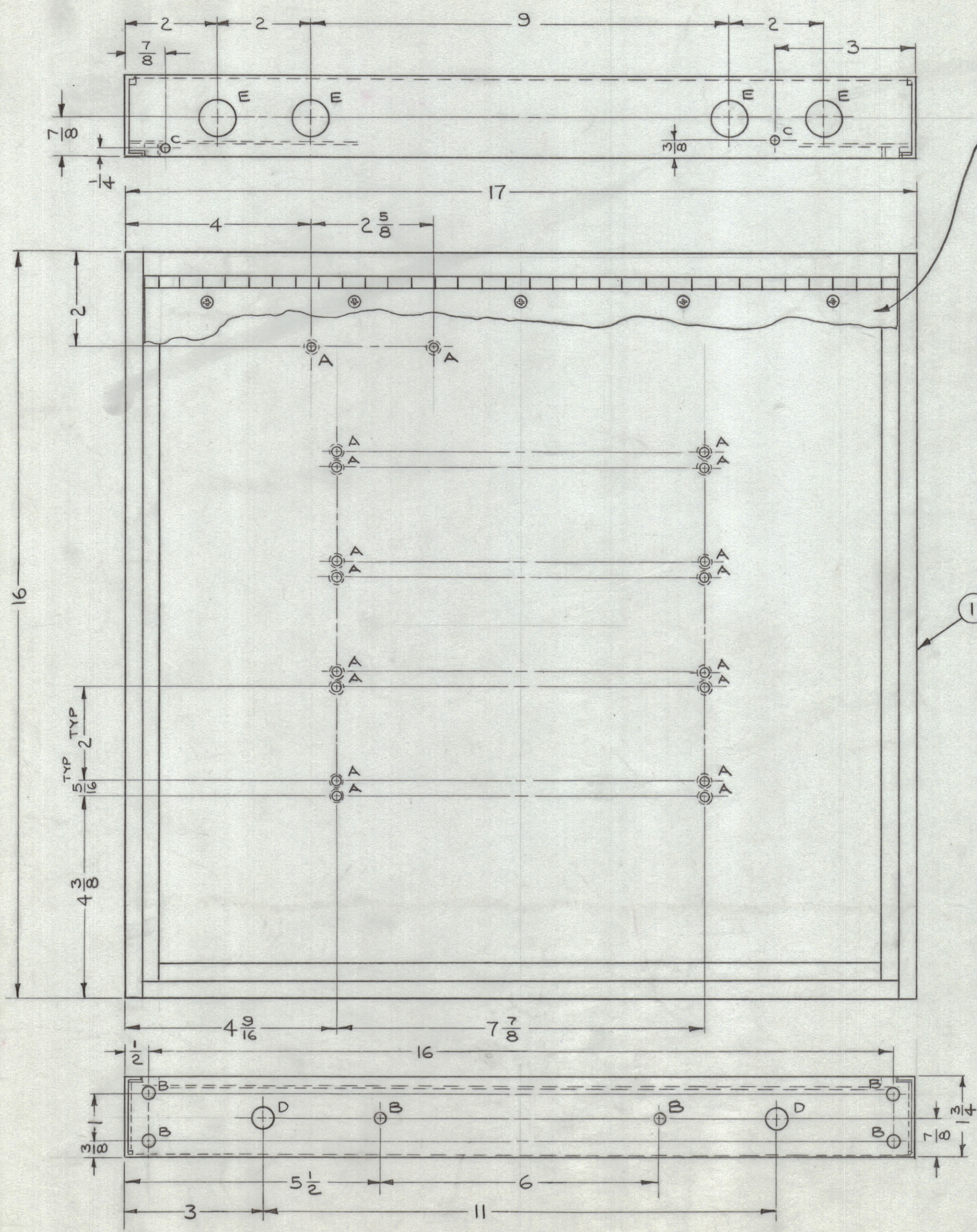


REVISIONS						
ZONE	SYM	DESCRIPTION	DATE	E.M.N. NO.	DRAFT	CHKD
X		EXPERIMENTAL RELEASE	2.6.65	X		
Ø		ORIGINAL RELEASE FOR PROD.	11/1/65	Ø		



HOLE	DESCRIPTION	REQ
A	.144 DIA # C'SINK 82° TO .284 DIA	18
B	3/16 DIA	6
C	5/32 DIA	2
D	15/32 DIA	2
E	3/4 DIA	4
F	15/64 DIA	3
G	13/64 DIA	2

MS4040

REF: LD1726

REQ'D.	ITEM	PART NUMBER	DESCRIPTION	SYMBOL
1	1	MS4259-1	DRAWER, ACCESSORY	

MATERIAL		THE TECHNICAL MATERIEL CORP.	
.064 THK ALUMINUM REF. TO MS4259-1		MAMARONECK, NEW YORK	
FINISH		TITLE	
S404 YELLOW IRIDITE REF. TO MS4259-1		CHASSIS / COVER	
UNLESS OTHERWISE SPECIFIED DIMENSIONS ARE IN INCHES AND INCLUDE CHEMICALLY APPLIED OR PLATED FINISHES		DRAWN <i>hpb</i> DATE 2.6.65 CHECKED <i>hpb</i> DATE 11/1/65 ELECT. DES. DATE MECH. DES. DATE	FINAL APPROVAL <i>M. H. Hays</i> DATE 11/1/65 MS4040 SHEET
DECIMALS .X ± .05 .XX ± .01 .XXX ± .005	FRACTIONS ± 1/64 ANGLES ± 0° 30'	TOLERANCES	REV. LTR.

Q'TY./UNIT	MODEL USED ON	ASS'Y. NO.
1	ECPA-1	A3859
SCALE	CODE	
1:2	A	

NOTES

THE CONTENTS OF THIS DRAWING ARE THE EXCLUSIVE PROPERTY OF THE TECHNICAL MATERIEL CORP. ITS UNAUTHORIZED USE OR REPRODUCTION IN WHOLE OR IN PART IS STRICTLY FORBIDDEN.