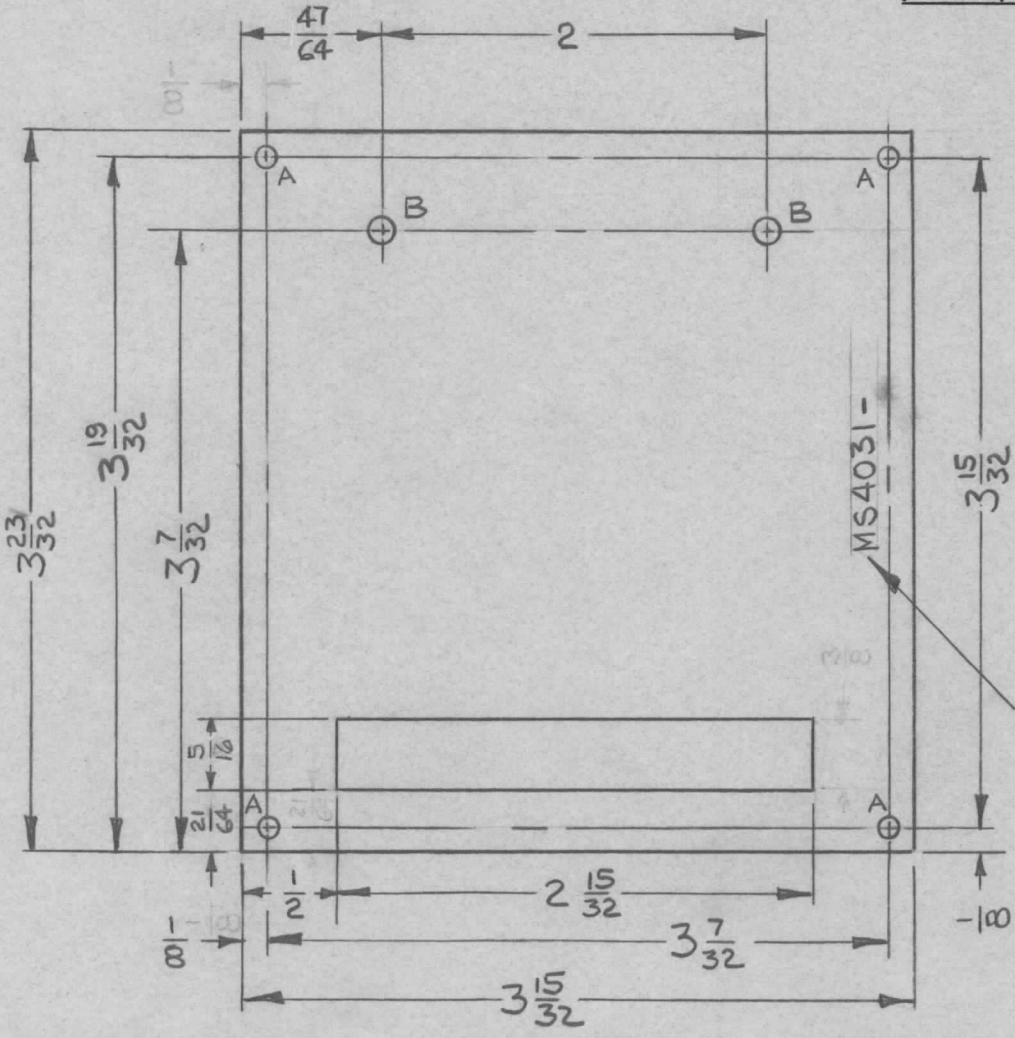


REQ. PER UNIT	USED ON			MS4031 Ø
	MODEL	ASS'Y. NO.	DATE	
1	PFCB-1			



A ~ 1/8 DIA ~ 4 REQ
 B ~ 5/32 DIA ~ 2 REQ

NOTE:
 REMOVE ALL BURRS AND SHARP EDGES

METAL STAMP TMC P/N, WITH LATEST REVISION LETTER 1/8 HIGH GOTHIC.

REQ. ITEM	PART NO.	DESCRIPTION	SYMBOL
		0 POSE	
	.081 THICK	THE TECHNICAL MATERIEL CORP. MAMARONECK, NEW YORK	
	STOCK SIZE		
	ALUMINUM	PLATE, REAR	
	MATERIAL	DOPPLER CORRECTOR	
	50-52 H32	10.16.64 @ 10-22-64	RJC
	TYPE & TEMPER	DRAWN	CHECKED
	HEAT TREAT. SPEC.	FINAL APPROVAL	
	YELLOW IRIDITE		
	FINISH & SPEC. NO.	ELEC. DES. APP.	MECH. DES. APP.
			MS4031 Ø

Ø ORIGINAL RELEASE FOR PRODUCTION
 X₁ REDRAWN W/CHANGES

DATE 12.1.64
 CH. NO. Ø
 DRAFTS 2L
 CHECKER hrb
 ENG. APP.

UNLESS OTHERWISE SPECIFIED DIMENSIONS ARE IN INCHES AND INCLUDE CHEMICALLY APPLIED OR PLATED FINISHES

SCALE 1:1

DECIMALS .X ± .05 .XX ± .01 .XXX ± .005

FRACTIONS ± 1/64 ANGLES ± 0° 30'

TOLERANCES A