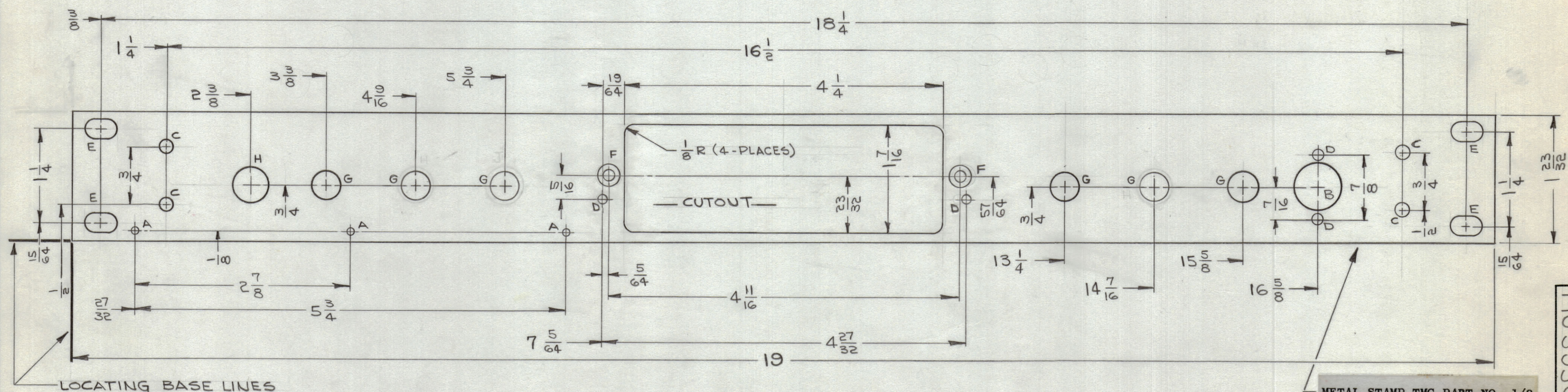


REVISIONS						
ZONE	SYM	DESCRIPTION	DATE	E.M.N. NO.	DRAFT	CHKD APPD
	X	EXPER. RELEASE	8-11-64	X	<i>J. L.</i>	
X	XI	(1) "J" HOLE, 1/2 DIA. DELETED; (3) "G" HOLES ADDED (2) "H" HOLES DELETED	8-21-64	XI	<i>J. L.</i>	<i>J. L.</i>
	Ø	ORIGINAL RELEASE FOR PRODUCTION	9-17-64	Ø	<i>J. L.</i>	



METAL STAMP TMC PART NO. 1/8 HIGH GOTHIC ON REAR OF PANEL, WITH LATEST REVISION LETTER.

MS3950 Ø

HOLE	DESCRIPTION	REQ
A	.070 DIA.	3
B	5/8 DIA.	1
C	11/64 DIA.	4
D	.120 DIA	4
E	1/4 x 7/16 SLOTS	4
F	.144 DIA, CSINK 82° TO .284 DIA.	2
G	3/8 DIA.	6
H	15/32 DIA.	1
J	DELETED	4

**MACHINING:**

- MILL ALL EDGES.
- HOLES MUST BE DRILLED, UNLESS OTHERWISE SPECIFIED.
- LATERAL BOW OF PANEL MUST BE KEPT TO .031 TOLERANCE.
- PANEL MUST BE FREE OF ALL MACHINING MARKS, GOUGES AND SCRATCHES. IF NECESSARY, SAND FRONT OF PANEL WITH NO. 120 GRIT SANDPAPER.

**FINISH NOTES:**

- S404 - IRIDITE 14-2 AL-COAT.
- S114 - ZINC CHROMATE PRIMER) FRONT AND
- S115 - SMOOTH GRAY ENAMEL ) EDGES ONLY

**NOTES**

1	STE-1	
QTY/UNIT	MODEL USED ON	ASS'Y. NO.
SCALE	CODE	
1:1	A	

THE CONTENTS OF THIS DRAWING ARE THE EXCLUSIVE PROPERTY OF THE TECHNICAL MATERIEL CORP. ITS UNAUTHORIZED USE OR REPRODUCTION IN WHOLE OR IN PART IS STRICTLY FORBIDDEN.

REF: LD1569 (4)

REQ'D.	ITEM	PART NUMBER	DESCRIPTION	SYMBOL
T. AALTONEN LIST OF MATERIAL				
MATERIAL		3/16, ALUMINUM 2024-T3		
FINISH		SEE NOTES		
		THE TECHNICAL MATERIEL CORP. MAMARONECK, NEW YORK		
		PANEL, FRONT		
UNLESS OTHERWISE SPECIFIED DIMENSIONS ARE IN INCHES AND INCLUDE CHEMICALLY APPLIED OR PLATED FINISHES		DRAWN	DATE	FINAL APPROVAL
		<i>J. L.</i>	8-11-64	<i>R. L.</i>
		CHECKED	DATE	
		<i>J. L.</i>	9-17-64	
		ELECT. DES.	DATE	
		<i>J. L.</i>	9-17-64	
		MECH. DES.	DATE	
		<i>J. L.</i>	9-17-64	
		MS3950		Ø
		SHEET		REV. LTR.

