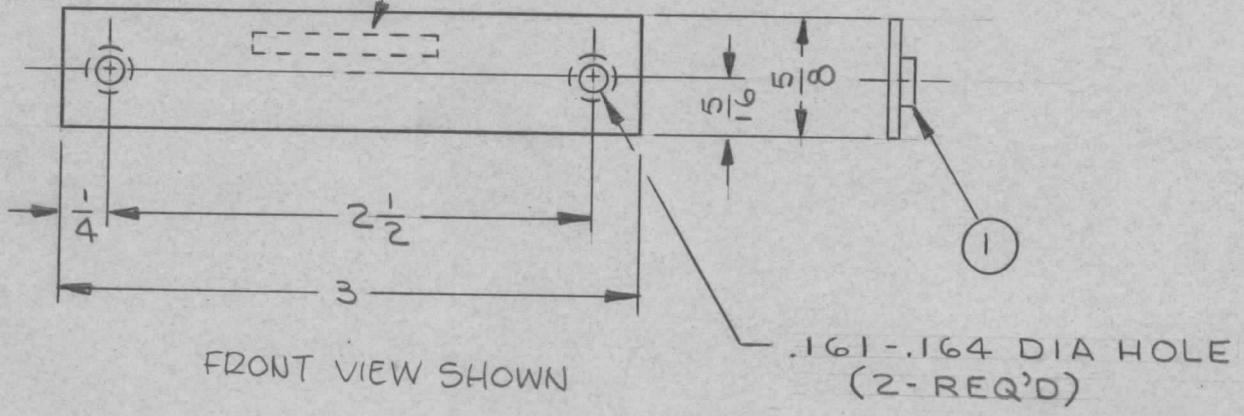


REQ. PER UNIT	USED ON			MS3854 <input checked="" type="checkbox"/>
	MODEL	ASS'Y. NO.	DATE	
1	RTTD-1	A3705	6-8-64	

METAL STAMP TMC PART NO. MS 3854  
1/8 HIGH GOTHIC. (ON REAR)



							2 1 NT-129-440-4 NUT, ROUND, SWAGE TYPE					
							REQ. ITEM	PART NO.	F.E. EATON DESCRIPTION	SYMBOL		
							.062 THK		THE TECHNICAL MATERIEL CORP. MAMARONECK, NEW YORK			
							STOCK SIZE					
							ALUMINUM		COVER-CONNECTOR CUTOUT			
							MATERIAL					
							5052-H32	<i>WJ</i>	J. LESHINSKI	<i>JCB</i>	<i>RJC</i>	
							TYPE & TEMPER	HEAT TREAT. SPEC.	DRAWN	CHECKED	FINAL APPROVAL	
							YELLOW IRRIDITE	PER S404	<i>J.P. Eaton</i> 2/8/65	W. JORDAN 2/8/65	MS3854 <input checked="" type="checkbox"/>	
							FINISH & SPEC. NO.	ELEC. DES. APP.	MECH. DES. APP.			
UNLESS OTHERWISE SPECIFIED DIMENSIONS ARE IN INCHES AND INCLUDE CHEMICALLY APPLIED OR PLATED FINISHES							SCALE					
							1:1					
ORIGINAL RELEASE FOR PRODUCTION							2/16/65	<input checked="" type="checkbox"/>	<i>JL</i>	<i>J.M.</i>		
EXPERIMENTAL RELEASE							6/8/64	<input checked="" type="checkbox"/>	<i>JL</i>	<i>J.M.</i>		
SYM	DESCRIPTION						DATE	CH. NO.	DRAFTS	CHECKER	ENG. APP.	
DECIMALS .X ± .05 .XX ± .01 .XXX ± .005							FRACTIONS ± 1/64 ANGLES ± 0° 30'		TOLERANCES			CODE A